

G2510-S066-M14

Printed Matter No. 9836 4777 00


Sander

Original Product instructions
2010-01

G2510-S066-M14 (6600 r/min)

8423 0316 40



	⚠ WARNING
	To reduce risk of injury, everyone using, installing, repairing, maintaining, changing accessories on, or working near this tool MUST read and understand these instructions before performing any such task. DO NOT DISCARD - GIVE TO USER

Part of the
Atlas Copco Group



Table of content

	Safety and operating instructions	3
	Consignes d'utilisation et de sécurité	9
	Sicherheit und Bedienungsanleitung	16
	Instrucciones de operación y Seguridad	23
	Instruções de operação e de segurança	30
	Istruzioni per l'uso	36
	Veiligheids- en bedienings-voorschriften	42
	Sikkerheds og betjenings vejledning	48
	Sikkerhets- og betjeningsinstruksjoner	54
	Käyttöohjeet	59
	Οδηγίες χρήσης	65
	Säkerhet och operatörsinstruktion	72
	Инструкции по эксплуатации и технике безопасности	78
	Instrukcja obsługi	85
	Návod na obsluhu	92
	Provozní pokyny	98
	Kezelési utasítás	104
	Navodila za uporabo	110
	Instructiuni de utilizare si protectia muncii	116
	Ohutus- ja kasutusjuhised	122
	Saugos ir naudojimo instrukcija	127
	Drošības un ekspluatācijas instrukcijas	133
	Spare part list	139
	Accessories	143
	Service instructions	144

Safety instructions

Important information for safe use

These instructions concern installation, operation, handling and maintenance of product, inserted/mounted tool and equipment.



- It is vital that the operator has read and fully understood the instructions before using this product
- Keep instructions safe for future reference and make sure that the operator has complete access to them
- Failure to follow these instructions may cause serious hazards

Our goal is to produce tools that help you work safely and efficiently.

The most important safety device for this and for any tool is YOU.

Your care and good judgement are the best protection against injury.

This power tool must not be modified for product liability and safety reasons. Only qualified and trained operators should install, adjust or use this tool.

All possible hazards cannot be covered here, but we highlight some of the most important. For additional safety information consult:

- Other documents and information packed with this tool
- Your employer, union and/or trade association
- Appropriate standards as referred to in the Section *EC Declaration of Conformity*

Further occupational health and safety information can be obtained from the following web sites:

<http://www.osha.gov> (USA)

<http://europe.osha.eu.int> (Europe)

Safety signal words

The safety signal words Danger, Warning and Caution have the following meanings:

DANGER	Indicates a hazardous situation which, if not avoided, will result in death or serious injury.
WARNING	Indicates a hazardous situation which, if not avoided, could result in death or serious injury.
CAUTION	Indicates a hazardous situation which, if not avoided, could result in minor or moderate injury.

Personal precautions and qualifications

Installation, storage, maintenance and disposal

Installation, storage, maintenance and disposal of the product may only be undertaken by persons who:

- are physically able to handle the bulk, weight and power of the tool
- are aware of all the relevant national safety instructions and accident prevention instructions
- have read and understood the operating instructions

Operation

Operation of the product may only be undertaken by qualified operators. Operators are qualified if they:

- are physically able to handle the bulk, weight and power of the tool
- are trained to operate the product in conformity with national directives
- are aware of all the relevant national safety instructions and accident prevention instructions
- have read and understood operating instructions

Personal protective equipment

⚠ WARNING Entanglement hazard

- ▶ Do not wear jewellery and loose clothing
- ▶ Keep neckwear away from tool and accessories to avoid choking
- ▶ Keep hair away from tool and accessories to avoid scalping

The personal protective equipment must conform to the applicable health and safety regulations.

Always wear the following personal protection:

- Safety helmet
- Hearing protection
- Safety goggles with side protection
- Protective gloves
- Safety footwear

Drugs, alcohol and medication

Drugs, alcohol and medication may impair your judgement and powers of concentration.

⚠ WARNING Poor reactions and incorrect assessments can lead to serious accidents or death

- ▶ Never operate the product when you are under the influence of drugs, alcohol or medication
- ▶ Prevent other people from using the product if they are under the influence of drugs, alcohol or medication

Installation, Operation and Maintenance: precautions

⚠ WARNING Explosives and explosive gases, explosion hazard

If the product comes into contact with explosives, an explosion could occur. Explosions can lead to serious injuries or death.

Sparks can fly when operating the product, these can detonate highly flammable dusts and gases and lead to fire or explosions.

- ▶ Never operate the product near explosives
- ▶ Never work in a highly flammable or explosive environment
- ▶ Make sure there are no hidden gas sources in your working area

⚠ WARNING Electric shock

Should the product come in contact with electric circuits or other electrical power sources, there is a risk of serious injury or death.

- ▶ Never work near electric circuits or other electrical power sources
- ▶ Make sure there are no hidden electric circuits in your working area

⚠ WARNING Dust hazard

Some dust, fumes or other airborne material created by power sanding, sawing, grinding, drilling and other constructions activities contains chemicals known to the State of California to cause cancer and birth defects or other reproductive harm. Some examples of such chemicals are:

Crystalline silica and cement and other masonry products.

Arsenic and chromium from chemically-treated rubber.

Lead from lead based paints.

- ▶ To reduce your exposure to these chemicals, work in a well ventilated area, and work with approved safety equipment, such as dust masks that are specially designed to filter out microscopic particles
- ▶ Avoid inhaling dust or handling debris from the work process which can be harmful to your health
- ▶ Use dust extraction e.g. spot suction equipment and wear respiratory protective equipment when working with materials which produce airborne particles
- ▶ Potentially explosive atmospheres can be caused by dust and fumes resulting from sanding or grinding. Always use dust extraction or suppression systems which are suitable for the material being processed

⚠ WARNING Projectiles

During power sanding, sawing, grinding, drilling and other construction activities sparks, chips, wheel fragments or other particles may turn into projectiles and cause bodily injury by hitting the operator or other persons.

Even small projectiles can injure your eyes and cause blindness.

- ▶ Always wear impact-resistant eye and face protection when engaging in or working near the operation, repair or maintenance of the tool or changing accessories on the tool
- ▶ Use barriers to protect others from wheel fragments and grinding sparks
- ▶ Check that all others in the area are wearing impact-resistant eye and face protection

⚠ WARNING Noise hazard

High sound levels may cause permanent hearing loss.

- ▶ Use hearing protection in accordance with occupational health and safety regulations

⚠ WARNING Vibration hazard

Exposure to vibration can damage the nerves and disable the blood supply of the hands and arms.

- ▶ Repetitive work motions, awkward positions and exposure to vibration can be harmful to hands and arms. If numbness, tingling, pain or whitening of the skin occurs, stop using the tool and consult a physician
- ▶ Insert tools with a bent shank should not be used
- ▶ Use vibration dampened tools when available
- ▶ Minimize time of exposure to vibration

General information

Design and function

This sander is intended for abrasive products and backing equipment only. This model is lubricated. The machine, its attachments and accessories must only be used for the purpose for which they were designated, all other use is prohibited.

- Never use grinding or cutting off wheels to a sander without a wheel guard
- Never attach circular saw blades or other cutters not specified for the tool

Signs and stickers

The machine is fitted with signs and stickers containing important information about personal safety and machine maintenance. The signs and stickers shall

always be easy to read. New signs and stickers can be ordered by using the spare parts list.



EC DECLARATION OF CONFORMITY

We, Atlas Copco Tools AB, S-105 23 STOCKHOLM SWEDEN declare under our sole responsibility that our product (with type and serial number, see front page) and in combination with our accessories, to which this declaration relates is in conformity with the appropriate standard(s):

EN 792-8

and in accordance with the following directive(s):

2006/42/EC

Stockholm, 29 December 2009

Lennart Remneback, General Manager

Signature of issuer

Installation

Air quality

- For optimum performance and maximum product life we recommend the use of compressed air with a dew point between +2°C and +10°C. Installation of an Atlas Copco refrigeration-type air dryer is recommended
- Use a separate air filter of type Atlas Copco FIL, removes solid particles larger than 15 microns and more than 90 % of liquid water, installed as close as possible to the product and prior to any other air preparation unit like REG or DIM (please see Air Line Accessories in our main catalogue). Blow out the hose before connecting

Lubricated models:

- The compressed air must contain a small quantity of oil. We strongly recommend that you install an Atlas Copco oil-fog lubricator DIM, to be set normally at 3–4 drops (50 mm³)/min for long cycle running tools, or an Atlas Copco single-point lubricator type Dosol for short cycle running tools. For Dosol setting please see Air Line Accessories in our main catalogue.

Compressed air connection

⚠ WARNING Air under pressure can cause serious injury

- ▶ Always shut off air supply, drain hose of air pressure and disconnect tool from air supply when not in use, before making any adjustments to the product, e.g. changing accessories, or when making repairs
- ▶ Never direct air at yourself or anyone else

⚠ WARNING Whipping hoses can cause serious injury

- ▶ Always check for damaged or loose hoses and fittings

Check air pressure:

- The product is designed for a working pressure (e) of 6–7 bar = 600–700 kPa = 87–102 psig
- The air pressure at the tool inlet with the product running must not exceed the maximum operating pressure 7 bar – 700 kPa – 102 psig
- Blow out the hose before connecting it

Operation

See also *Service instructions*

Preparations before using the sander

Correct function of sander

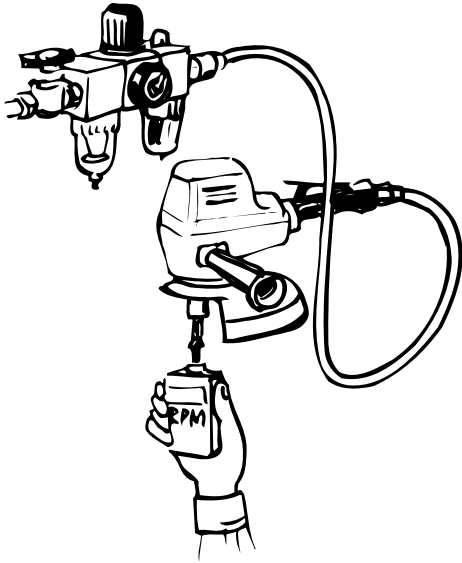
⚠ WARNING Overspeed can result in serious injury or death

- ▶ The maximum permissible speed as marked on the machine must not be exceeded

Testing of the sander should only be carried out by professional technicians. The technicians must be authorized to test this type of tool and to operate a pneumatic system in accordance with national directives.

- The free speed of the machine shall be checked every day and whenever the machine has been

serviced. This check should be carried out with the grinding equipment detached



- Use a pressure regulator to avoid excessive air pressure which may cause overspeed
- Connections and air hose must be in good condition

Mounted abrasive equipment

⚠ WARNING Air under pressure can cause serious injury

- ▶ Always shut off air supply, drain hose of air pressure and disconnect tool from air supply when not in use, before making any adjustments to the machine, e.g. changing accessories, or when making repairs

⚠ WARNING Wrong abrasive equipment can burst and cause serious injury or death

- ▶ Use a backing pad or abrasive with a permitted speed higher or equal than the air sander speed
- ▶ Do not use other backing pad or abrasive than specified by the manufacturer (no cutting off wheels or router bits). See Section *Design and function*.
- Use only recommended sizes and types of abrasives
- Do not use mounting wheels that are chipped or cracked, or may have been dropped
- Correct mounting is necessary to prevent injury from broken mounted wheels
- Use only coated abrasive sanding discs or sheets properly secured to the backing pad provided with the air sander. Ensure that self-fixing sanding discs are mounted concentrically

Correct working with the sander

Read the Section *Safety instructions* before using the sander.



⚠ WARNING Failure to follow correct working practices can result in serious injury or death

- ▶ When using a tool that is designed to have a guard, the guard should be in place to offer protection from grinding swarf and other debris
- ▶ Ensure that the workpiece is properly supported
- ▶ Ensure that sparks do not cause a hazard to people or materials
- ▶ There is a risk of electrostatic discharge if the tool is used on plastic and other non-conductive materials
- ▶ Personal protective equipment must be used as described in Section *Personal protective equipment*
- ▶ Slip/Trip/Fall is a major cause of serious injury or death. Watch out for excess hose left on the walking or work surface
- ▶ Proceed with care in unfamiliar surroundings. Hidden hazards may exist, such as electric or other utility lines
- ▶ Maintain a balanced body position and firm footing
- ▶ React quickly to excessive vibration due to damaged, or improperly mounted insert tool
- ▶ Keep away from rotating drive spindle and abrasives. Rotation may continue for several seconds after the throttle has been released. Do not lay the tool down until rotation has stopped
- ▶ Observe that stored compressed air in the hose may cause an accidental start
- ▶ Release control device if the energy supply should fail

Maintenance

Rust protection and internal cleaning

Water in the compressed air, dust and wear particles cause rust and sticking of vanes, valves etc.

This can be solved by lubricating with oil (a few drops), running the machine for 5-10 seconds and wiping off excess oil with a cloth. **Do this before longer standstills.**

Lubrication

The machine is fitted with an angle gear which is lubricated with a semi-fluid grease to ensure good wear resistance. To avoid overfilling, which could result in a rise in temperature and damage to seals, there is no lubrication nipple. Instead, the grease should be changed after about 200 running hours by removing the angle-gear spindle.

For accurate lubrication properties – use Urethyn GE00 semi-fluid type grease. The requisite amount of grease is max. 7cm³.

❗ Do not use ball bearing grease or chassis grease.

Lubricating guide

Use lubricants of good quality. The oils and greases listed in the lubrication table are examples of lubricants that can be recommended.

Brand	General purpose Bearings	Air lubrication
BP	Energrease LS-EP2	Energol E46
Castrol	Spheerol EP L2	
Esso	Beacon EP2	Arox EP46
Q8	Rembrandt EP2	Chopin 46
Mobil	Mobilegrease XHP 222	Almo oil 525
Shell	Alvania EP2	Tonna R32
Texaco	Multifak EP2	Aries 32
Molycote	BR2 Plus	

Overhaul

⚠ WARNING Overspeed could result in serious injury or death

- ▶ If speed governor is used, check that correct speed governor is assembled. Careless handling may put it out of order
- ▶ Do not disassemble security parts, e.g. speed governor or overspeed shut-off. These parts must be completely replaced when damaged
- ▶ Always check the free speed of the machine after service. See Section *Preparation before using the sander*

For preventive maintenance, the grease in the angle gear should be changed after roughly 200 hours of operation. See the directions under *Lubrication*.

The entire machine should be checked regularly at six-months intervals. If it is in heavy duty service or not running properly it should be taken out of service more often for inspection.

Check the sealing lip and adjacent column for wear. The seal is essential to keep lubricant in the gear box.

The strainer at the air inlet should be cleaned frequently to prevent clogging and decreased capacity.

❗ Clean the motor parts and apply a thin layer of air lubrication oil onto the vanes and inner surface of cylinder and end plates. Assemble the motor and check that it is running free. Add two drops of oil through the air inlet and run the motor at idling speed for 5-10 seconds.

Useful information

You can find all kind of information concerning Pro products, accessories, spare parts, published matters on our WEB site!

 [Log in to www.pro-powertools.com](http://www.pro-powertools.com)

Technical data

Noise and vibration emission

Noise (in accordance with PN8NTC1.2)	dB(A)
Sound pressure level	75
Sound power level	-
Uncertainty	Noise spread
	-
	volume

Vibration total value, valid from 2010 (3-axes value in accordance with Vibration according new - volume)	m/s ²
Vibration value	Vibration value new - volume
Uncertainty	Vibration spread new - volume

Vibration value, valid until 2009 (1-axis value in accordance with EN/ISO 8662-8)	m/s ²
Vibration value	<2.5

Noise and Vibration Declaration Statement

These declared values were obtained by laboratory type testing in accordance with the stated standards and are suitable for comparison with the declared values of other tools tested in accordance with the same standards. These declared values are not adequate for use in risk assessments and values meas-

ured in individual work places may be higher. The actual exposure values and risk of harm experienced by an individual user are unique and depend upon the way the user works, the workpiece and the workstation design, as well upon the exposure time and the physical condition of the user.

We, **Atlas Copco Tools AB**, cannot be held liable for the consequences of using the declared values, instead of values reflecting the actual exposure, in an individual risk assessment in a work place situation over which we have no control.

This tool may cause hand-arm vibration syndrome if its use is not adequately managed. An EU guide to managing hand-arm vibration can be found at <http://www.humanvibration.com/EU/VIBGUIDE.htm>

We recommend a programme of health surveillance to detect early symptoms which may relate to noise or vibration exposure, so that management procedures can be modified to help prevent future impairment.

Consignes de sécurité

Information importante pour la sécurité d'utilisation

Ces instructions concernent l'installation, l'utilisation, le maniement et la maintenance du produit, de l'outil inséré ou monté et des équipements.



- L'opérateur doit impérativement avoir lu et bien compris les instructions avant d'utiliser ce produit.
- Ces instructions doivent être conservées dans un endroit sûr pour s'y référer ultérieurement et être totalement accessibles à l'opérateur
- Le non respect de ces instructions peut entraîner de graves risques

Notre objectif est de fabriquer des outils qui vous permettent de travailler en toute sécurité et efficacité.

Quelque soit l'outil, le dispositif de sécurité le plus important, c'est VOUS-même !

Votre attention et votre perspicacité sont la meilleure protection contre les blessures.

Pour des raisons de sécurité et de responsabilité du fait des produits, l'outil ne doit jamais être modifié. Seules des opérateurs qualifiés et formés sont autorisés à installer, régler ou utiliser cet outil.

Tous les risques possibles ne peuvent pas être énumérés ici mais nous rappelons certains des plus importants. Pour d'autres informations relatives à la sécurité, consultez :

- Les autres documents et renseignements qui accompagnent cet outil
- Votre employeur, votre association de salariés et association professionnelle
- Les normes correspondantes spécifiées au paragraphe *Déclaration de conformité CE*

D'autres informations concernant l'hygiène et la sécurité du travail peuvent être obtenues sur les sites suivants :

<http://www.osha.gov> (USA)

<http://europe.osha.eu.int> (Europe)

Signification des avertissements de sécurité

Les avertissements de sécurité intitulés "Danger", "Attention" et "Prudence" ont les significations suivantes :

DANGER	signale une situation dangereuse qui, si elle n'est pas évitée, provoquera la mort ou de graves blessures.
ATTENTION	signale une situation dangereuse qui, si elle n'est pas évitée, peut provoquer la mort ou de graves blessures.
PRUDENCE	signale une situation dangereuse qui, si elle n'est pas évitée, peut provoquer des blessures mineures ou légères.

Précautions individuelles et qualifications

Installation, stockage, maintenance et mise au rebut

L'installation, le stockage, la maintenance et la mise au rebut du produit ne peuvent être effectués que par des personnes qui :

- sont physiquement capables de manier le volume, le poids et la puissance de l'outil
- connaissent les instructions de sécurité et de prévention des accidents en vigueur dans le pays concerné
- ont lu et compris toutes les instructions d'utilisation

Exploitation

Ce produit ne peut être utilisé que par des opérateurs qualifiés. Les opérateurs sont qualifiés s'ils :

- sont physiquement capables de manier le volume, le poids et la puissance de l'outil
- sont formés à l'utilisation de ce produit conformément à des directives nationales
- connaissent les instructions de sécurité et de prévention des accidents en vigueur dans le pays concerné
- ont lu et compris toutes les instructions d'utilisation

Équipement de protection individuelle

⚠ ATTENTION Risques d'accrochage

- ▶ Ne jamais porter des bijoux ou des vêtements
- ▶ Maintenir les colliers et autres accessoires personnels loin de l'outil pour éviter un étranglement
- ▶ Maintenir les cheveux et les accessoires capillaires loin de l'outil pour éviter qu'ils ne soient pris dans l'outil

L'équipement de protection individuelle doit être conforme aux règles applicable en matière de santé et sécurité.

Toujours porter les équipement de protection individuelle suivants :

- Casque de sécurité
- Protection auditive

- Lunettes de sécurité avec protection latérale
- Gants de protection
- Chaussures de sécurité

Drogues, alcool et médicaments

Les drogues, l'alcool et les médicaments peuvent affecter vos capacités de discernement et de concentration.

⚠ ATTENTION Des réactions inadaptées et de mauvaises décisions peuvent entraîner des accidents graves ou la mort

- ▶ N'utilisez jamais pas l'outil si vous êtes sous l'influence de drogues, d'alcool ou de médicaments.
- ▶ Empêchez toute personne d'utiliser l'outil si celle-ci est sous l'influence de drogues, d'alcool ou de médicaments.

Installation, exploitation et maintenance : Précautions

⚠ ATTENTION Explosifs et gaz explosifs, risque d'explosion

Il y a risque d'explosion si le produit entre en contact avec des explosifs. Les explosions peuvent entraîner de graves blessures, voire la mort.

Des étincelles peuvent s'envoler lorsque l'outil est en fonctionnement. Elles peuvent alors faire détonner des poussières et des gaz hautement inflammables et provoquer des incendies ou des explosions.

- ▶ Ne jamais faire fonctionner l'outil près d'explosifs
- ▶ Ne jamais travailler dans un environnement hautement inflammable ou explosif
- ▶ S'assurer qu'il n'y a aucune source d'émanation de gaz dans la zone de travail

⚠ ATTENTION Électrocution

Si le produit entre en contact avec des circuits électriques ou d'autres sources d'alimentation électrique, il y a des risques de graves blessures, voire la mort.

- ▶ Ne jamais travailler à proximité de circuits électriques ou d'autres sources d'alimentation électrique
- ▶ S'assurer qu'il n'y a aucun circuit électrique dans la zone de travail

⚠ ATTENTION Danger des poussières

Certaines poussières, fumées ou autres particules en suspension créées par le sablage, le sciage, le meulage, le forage et autres travaux de construction contiennent des produits chimiques qui sont reconnus comme pouvant provoquer des cancers, des anomalies congénitales et autres problèmes de reproduction. Parmi ces produits chimiques, on trouve :

La silice cristallisée, le ciment et d'autres produits de maçonnerie.

L'arsenic et le chrome provenant des caoutchoucs traités chimiquement.

Le plomb des peintures à base de plomb.

- ▶ Pour réduire l'exposition à de tels produits chimiques, vous devez travailler dans des endroits correctement ventilés et avec des équipements de sécurité homologués tels que des masques respiratoires spécialement conçus pour filtrer les particules microscopiques
- ▶ Évitez d'inhaler les poussières et débris provenant des travaux qui peuvent être dangereux pour votre santé
- ▶ Utilisez des équipements d'extraction des poussières comme des appareils d'aspiration ponctuels et portez des équipements de protection respiratoire lorsque vous travaillez avec des matériaux qui produisent des particules en suspension
- ▶ Des atmosphères potentiellement explosives peuvent être provoquées par des poussières et des fumées provenant du sablage ou meulage. Utilisez toujours des systèmes d'extraction ou d'élimination des poussières adaptés aux matériaux traités

⚠ ATTENTION Projectiles

Lors du sablage, du sciage, du meulage, du forage ou d'autres travaux de construction, des étincelles, des éclats, des fragments de meule peuvent devenir des projectiles qui touchent et blessent l'opérateur ou d'autres personnes.

Même les petits projectiles peuvent blesser vos yeux et rendre aveugle.

- ▶ Portez toujours des équipements de protection des yeux et du visage résistant au choc lorsque vous travaillez avec ou à proximité d'un outil effectuant des travaux ou en cours de réparation ou de maintenance, ou bien dont on change les accessoires
- ▶ Utilisez des écrans pour protéger les autres personnes des fragments de meule et des étincelles de meulage
- ▶ Vérifiez que toutes les autres personnes à proximité de la zone de travail portent un équipement de protection des yeux et du visage résistant au choc

⚠ ATTENTION Danger du bruit

Des niveaux sonores élevés peuvent provoquer une perte d'audition permanente.

- ▶ Portez une protection auditive conforme aux réglementations d'hygiène et de sécurité du travail

⚠ ATTENTION Danger des vibrations

L'exposition aux vibrations peut endommager les nerfs et empêcher le passage du sang aux mains et aux bras.

- ▶ Des mouvements de travaux répétitifs, des positions inhabituelles peuvent être dangereux pour les mains et les bras. En cas d'engourdissement, de fourmillement, de douleur ou de pâleur inhabituelle, arrêtez d'utiliser l'appareil et consultez un médecin
- ▶ Les outils avec des emmanchements tordus ne doivent pas être utilisés
- ▶ Utilisez de préférence des outils avec amortissement des vibrations
- ▶ Minimisez le temps d'exposition aux vibrations

Informations générales**Conception et fonction**

Cette ponceuse est conçue uniquement pour recevoir des produits abrasifs et des ensembles de fixation. Ce modèle est lubrifié. Cet appareil ainsi que ses fixations et ses accessoires ne doivent être utilisés que pour l'usage pour lequel ces pièces ont été conçues ; tout autre usage est à proscrire.

- N'utilisez jamais une meule ou un disque à tronçonner sur une ponceuse qui n'est pas équipée d'un carter de protection
- Ne fixez jamais de lame de scie circulaire ou toute autre lame qui n'est pas spécialement conçue pour être utilisée avec l'outil

Signes et étiquettes

La machine comporte des signes et des étiquettes avec des informations importantes pour la sécurité des personnes et l'entretien de la machine. Ces signes et étiquettes doivent toujours être aisément lisibles. De nouveaux signes et étiquettes peuvent être commandés en utilisant la liste des pièces détachées.

**DÉCLARATION DE CONFORMITÉ CE**

Nous, Atlas Copco Tools AB, S-105 23 STOCKHOLM, SUÈDE, déclarons sous notre entière et seule responsabilité que notre produit dont le type et le numéro de série sont indiqués en première page, seul et en combinaison avec nos accessoires et auquel

cette déclaration se réfère, est en conformité avec les exigences de la norme ou des normes appropriées :

EN 792-8

et conformément à la directive ou les directives suivantes :

2006/42/EC

Stockholm, 29 décembre 2009

Lennart Remnebäck, Directeur général

Signature du déclarant

Installation**Qualité de l'air**

- Pour des performances optimums et une durée de vie du produit maximum, nous recommandons d'utiliser de l'air comprimé avec un point de rosée compris entre +2°C and +10°C. L'installation d'un déshydrateur d'air Atlas Copco à réfrigération est recommandée
- Utilisez un filtre à air spécial de type Atlas Copco FIL qui retient les particules solides d'une taille supérieure à 15 microns et plus de 90 % de l'eau liquide. Ce filtre doit être placé aussi prêt que possible du produit et avant toute autre unité de préparation de l'air telles que des unités REG ou DIM (voir "Accessoires de distribution d'air" dans notre catalogue général). Mettez le flexible à l'air libre avant de le raccorder

Modèles lubrifiés :

- L'air comprimé doit contenir une petite quantité d'huile. Nous recommandons fortement l'installation d'un graisseur à brouillard d'huile Atlas Copco DIM, qui devra normalement être réglé à 3-4 gouttes (50 mm³)/min pour les outils à cycle de fonctionnement long, ou un lubrificateur à un seul point Atlas Copco type Dosol pour les outils à cycle de fonctionnement court.

Pour le réglage du Dosol, voir "Accessoires de distribution d'air" dans notre catalogue général.

Raccordement de l'air comprimé**⚠ ATTENTION L'air sous pression peut provoquer de graves blessures**

- ▶ Vous devez toujours arrêter l'alimentation d'air, mettre à l'air libre les flexibles et débrancher l'outil du circuit d'alimentation d'air lorsqu'il n'est pas utilisé, ou avant d'intervenir sur la machine comme

par exemple changer des accessoires, ou bien avant d'effectuer des réparations

- ▶ Ne dirigez jamais le jet d'air vers vous ou une autre personne

⚠ ATTENTION L'extrémité libre d'un flexible peut provoquer de graves blessures par cinglage

- ▶ Vérifiez toujours que les flexibles et les raccords ne soient ni endommagés ni desserrés

Vérifiez la pression d'air :

- Cette machine a été conçue pour une pression max. de service (e) de 6–7 bars = 600–700 kPa = 87–102 psig
- La pression d'air à l'orifice d'entrée de l'outil en fonctionnement ne doit pas dépasser la pression de service maximum de 7 bars – 700 kPa – 102 psig
- Mettez le flexible à l'air libre avant de le raccorder

Exploitation

Voir également *Consignes d'entretien*

Préparations avant l'utilisation de la ponceuse

Fonctionnement correct de la ponceuse

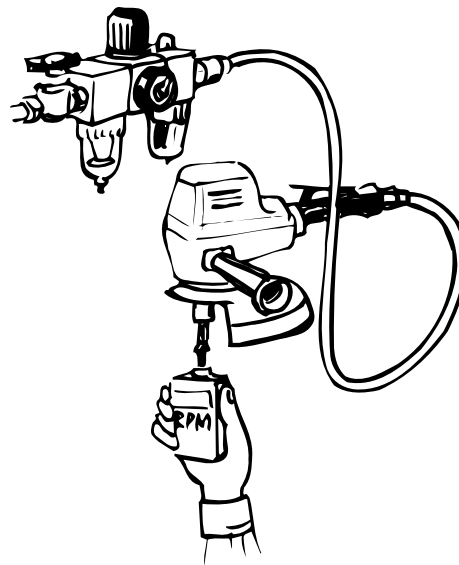
⚠ ATTENTION Une survitesse peut entraîner de graves blessures, voire la mort.

- ▶ Il ne faut en aucun cas dépasser la vitesse maximum autorisée indiquée sur la machine

Seuls des techniciens professionnels peuvent procéder à des tests sur la ponceuse. Ces techniciens doivent être autorisés à effectuer des tests sur ce type d'outil et à utiliser un système pneumatique conformément aux directives nationales.

- La vitesse à vide de l'outil doit être contrôlée quotidiennement ainsi qu'après chaque entretien

de la machine. Ce contrôle doit être effectué sans la meule ou le disque fixé sur la machine.



- Utilisez un régulateur de pression pour éviter toute pression d'air excessive pouvant provoquer une survitesse
- Les raccords et le flexible d'air doivent être en bon état

Équipement abrasif fixé

⚠ ATTENTION L'air sous pression peut provoquer de graves blessures

- ▶ Vous devez toujours arrêter l'alimentation d'air, mettre à l'air libre les flexibles et débrancher l'outil du circuit d'alimentation d'air lorsqu'il n'est pas utilisé, ou avant d'intervenir sur la machine comme par exemple changer des accessoires, ou bien avant d'effectuer des réparations

⚠ ATTENTION Un mauvais équipement abrasif peut entraîner de graves blessures, voire la mort.

- ▶ Utilisez uniquement des ensembles de fixation ou des abrasifs dont la vitesse d'utilisation est supérieure ou égale à celle de la ponceuse pneumatique
- ▶ N'utilisez pas d'autres ensembles de fixation ou abrasifs que ceux qui sont spécifiés par le fabricant (pas de meule de tronçonnage ou de fraise à défoncer). Voir le paragraphe *Conception et fonction*.
- N'utilisez que les tailles et les types d'abrasifs recommandés
- N'utilisez jamais des meules sur tige ébréchées ou fissurées, ou qui peuvent être tombées au sol
- Il faut que le montage soit correct pour éviter tout accident corporel dû à la cassure d'une meule
- Utilisez uniquement des disques de ponçage ou des feuilles abrasives montés sur l'ensemble de

fixation fourni avec la ponceuse pneumatique
Vérifiez que les disques de ponçage auto-fixables
sont installés de façon concentrique

Utilisation correcte de la ponceuse

Lire le paragraphe *Consignes de sécurité* avant
d'utiliser la ponceuse.



⚠ ATTENTION Toute non observance des bonnes méthodes de travail peut entraîner de graves blessures, voire la mort

- ▶ Si vous utilisez un outil conçu avec un capot de protection, ce dernier doit être installé afin de protéger des copeaux de ponçage et autres débris
- ▶ Assurez-vous que la pièce à travailler est correctement supportée
- ▶ Assurez-vous que les étincelles ne peuvent causer aucun risque aux personnes comme aux matériaux
- ▶ Il existe un risque de décharge électrostatique lorsque l'outil est placé sur de plastique ou un autre matériau non conducteur
- ▶ Un équipement de protection individuelle doit être utilisé comme décrit au paragraphe *Équipement de protection individuelle*
- ▶ Les accidents de type glisser / trébucher / tomber sont une des principales causes d'accidents graves ou mortels. Faites attention à l'excédent de flexible qui repose dans la zone de déplacement ou de travail.
- ▶ Procédez avec précaution dans les endroits peu familiers. Les risques dissimulés peuvent exister comme les lignes électriques ou autres réseaux
- ▶ Restez en position équilibrée et les pieds reposant fermement au sol
- ▶ Réagissez rapidement à toute vibration excessive due à un outil inséré endommagé ou mal installé
- ▶ Restez éloignés des arbres d'entraînement et des abrasifs. Le mouvement de rotation peut continuer pendant plusieurs secondes après le relâchement de l'accélérateur. Ne reposez pas l'outil tant que la rotation n'est pas arrêtée
- ▶ Attention : l'air comprimé emmagasiné dans le flexible peut provoquer un démarrage accidentel

- ▶ Relâchez le dispositif de commande en cas de panne d'alimentation électrique

Maintenance

Protection contre la rouille et nettoyage intérieur

L'eau qui se trouve dans l'air comprimé, les particules de poussière et d'usure provoquent de la rouille et l'adhérence des palettes, valves, etc.

Ceci peut être résolu par une lubrification avec de l'huile (quelques gouttes), en laissant ensuite marcher la machine pendant 5-10 secondes et en nettoyant avec un chiffon l'excès d'huile. **Procédez ainsi avant toute immobilisation de longue durée.**

Lubrification

Cette machine est équipée d'un engrenage angulaire qui doit être lubrifié avec une graisse semi-fluide pour assurer la bonne résistance à l'usure. Pour éviter tout débordement lors du remplissage pouvant provoquer une hausse de température ou un endommagement des joints, aucun raccord de graissage n'est prévu. Pour effectuer la lubrification, la graisse doit être renouvelée après environ 200 heures de fonctionnement en retirant l'axe de l'engrenage angulaire.

Pour que la graisse ait les propriétés de lubrification qui conviennent, il faut utiliser une graisse de type semi-fluide Urethyn GE00. La quantité de graisse nécessaire est au maximum de 7cm³.

- ⓘ **Ne pas utiliser des graisses pour roulement à billes ou des graisses pour châssis.**

Guide de lubrification

Utilisez des lubrifiants de bonne qualité. Les huiles et les graisses indiquées dans le tableau de lubrification sont des exemples de lubrifiants qui peuvent être recommandés.

Marque	Tout usage Roulements	Lubrification de l'air
BP	Energrease LS-EP2	Energol E46
Castrol	Spheerol EP L2	
Esso	Beacon EP2	Arox EP46
Q8	Rembrandt EP2	Chopin 46
Mobil	Mobilegrease XHP 222	Almo oil 525
Shell	Alvania EP2	Tonna R32
Texaco	Multifak EP2	Aries 32
Molycote	BR2 Plus	

Révision

⚠ ATTENTION Une survitesse peut entraîner de graves blessures, voire la mort

- ▶ Si un limiteur de régime est utilisé, vérifiez que celui qui est installé est du type qui convient. Une mauvaise manipulation peut empêcher son fonctionnement
- ▶ Ne désassemblez pas les pièces de sécurité comme le limiteur de régime ou le dispositif d'arrêt de la survitesse. Remplacez entièrement ces pièces si elles sont endommagées
- ▶ Contrôlez toujours la vitesse de rotation libre de l'appareil après chaque opération d'entretien. Voir le paragraphe *Préparations avant l'utilisation de la ponceuse*

En guise de maintenance préventive, renouvelez la graisse de l'engrenage angulaire environ toutes les 200 heures de fonctionnement. Pour ce faire, reportez-vous aux instructions de la rubrique *Lubrification*.

La machine doit être entièrement vérifiée tous les six mois. Si elle est utilisée en service intensif ou si elle ne fonctionne pas correctement, retirez la machine plus souvent du service afin de la contrôler.

Vérifiez l'usure de la lèvre d'étanchéité et de la colonne adjacente. Le joint est essentiel pour maintenir le lubrifiant dans le réducteur.

Le filtre d'admission d'air doit être nettoyé régulièrement afin d'éviter tout colmatage susceptible de réduire la capacité opérationnelle de la machine.

- ① **Nettoyez les pièces du moteur et appliquez une fine couche d'huile de lubrification d'air sur les aubes et sur la surface intérieure du cylindre, ainsi que sur les plaques d'ex-trémité.**
Assemblez le moteur et vérifiez qu'il tourne sans friction. Versez deux gouttes d'huile dans l'orifice d'admission d'air et faites tourner le moteur à vide pendant 5 à 10 secondes.

Informations utiles

Vous trouverez sur notre site WEB toutes les informations relatives aux produits, accessoires, pièces de rechange et publications d'Pro!

 **Connectez-vous à, à l'adresse www.pro-powertools.com**

Caractéristiques techniques

Niveau sonore et vibrations

Bruit (en accord avec PN8NTC1.2)	dBA
Niveau de pression acoustique	75
Niveau de puissance acoustique	-
Incertitude	Noise spread
	-
	volume

Valeur totale des vibrations, valable à compter de 2010

(valeur pour les 3 axes en accord avec Vibration according new - volume)

	m/s ²
Valeur des vibrations	Vibration value new - volume
Incertitude	Vibration spread new - volume

Valeur des vibrations, valable jusqu'en 2009

(valeur pour 1 axe en accord avec EN/ISO 8662-8)

	m/s ²
Valeur des vibrations	<2.5

Déclaration relative au bruit et aux vibrations

Les valeurs déclarées ont été obtenues lors d'essais de type réalisés en laboratoire, conformément aux standards établis et peuvent faire l'objet de comparaisons avec les valeurs déclarées d'autres outils testés selon les mêmes standards. Les valeurs déclarées ne peuvent être utilisées dans le cadre d'une estimation des risques et les valeurs relevées sur des postes de travail individuels peuvent s'avérer supérieures. Les valeurs d'exposition réelles et le risque de nuisance pour un utilisateur individuel sont uniques et dépendent de la manière dont l'utilisateur travaille, de la pièce usinée, de l'organisation du poste de travail en lui-même ; ils dépendent également de la durée d'exposition et de la condition physique de l'utilisateur.

Nous, soussignés **Atlas Copco Tools AB**, ne pouvons être tenus pour responsables des conséquences que peut entraîner l'utilisation de ces données déclarées à la place des valeurs correspondant à l'exposition réelle, dans le cadre d'une estimation des risques individuels sur un lieu de travail sur lequel nous n'avons aucun contrôle.

Cet outil peut entraîner le syndrome des vibrations main-bras s'il n'est pas utilisé de manière adéquate. Le guide de l'UE des bonnes pratiques en matière de vibrations main-bras est disponible à l'adresse suivante : <http://www.humanvibration.com/EU/VIB-GUIDE.htm>

Nous recommandons la mise en place d'un programme de surveillance médicale afin de détecter les premiers symptômes qui pourraient être dus à une exposition aux vibrations ; les procédures de gestion pourraient alors être modifiées pour éviter une future déficience.

Sicherheitshinweise

Wichtige Gefahrenhinweise

Die vorliegenden Anleitungen gelten für die Installation, Bedienung, Handhabung und Wartung des Produkts, eingesetzter/montierter Werkzeuge und Zubehörgeräte.



- Vor dem Einsatz dieses Produkts muss unbedingt sichergestellt sein, dass der Bediener diese Anweisungen gelesen und vollständig verstanden hat.
- Die Anweisungen sind für den Bediener jederzeit zur Einsichtnahme verfügbar zu halten.
- Die Missachtung dieser Anweisungen bedingt mitunter eine ernsthafte Verletzungsgefahr.

Es ist unser Anliegen, Werkzeuge herzustellen, die Sie bei der Arbeit sicher und wirksam unterstützen.

Im Mittelpunkt einer jeden Sicherheitsvorrichtung und eines Werkzeugs stehen SIE.

Sorgfalt und Umsicht sind der beste Schutz vor Verletzungen.

Aus Gründen der Produkthaftung und der Sicherheit keine Veränderungen am Werkzeug vornehmen. Installation, Änderungen und Gebrauch des Werkzeugs sind ausschließlich geschultem Bedienpersonal vorbehalten.

Hier findet sich eine – nicht vollständige – Liste der wichtigsten Verletzungsgefahren. Für zusätzliche Sicherheitshinweise folgende Unterlagen/Instanzen zu Rate ziehen:

- Im Lieferumfang des Werkzeugs enthaltene, ergänzende Unterlagen und Informationen
- Arbeitgeber, Gewerkschaft und/oder Fachverband
- Geltende Normen, vgl. Abschnitt *EG-Konformitätserklärung*

Ergänzende Hinweise zu Arbeitsschutz und Sicherheit am Arbeitsplatz auf folgenden Webseiten:

<http://www.osha.gov> (USA)

<http://europe.osha.eu.int> (Europa)

Begriffe für Sicherheitshinweise

Die sicherheitsbezogenen Begriffe Gefahr, Warnung und Achtung haben die folgende Bedeutung:

GEFAHR	Verweist auf eine Gefahrensituation mit Lebensgefahr.
WARNUNG	Verweist auf eine Gefahrensituation mit potenzieller Lebensgefahr.
ACHTUNG	Verweist auf eine Gefahrensituation mit leichter oder mittelschwerer Verletzungsgefahr.

Persönliche Vorsichtsmaßnahmen und Qualifikationserfordernisse

Installation, Aufbewahrung, Wartung und Entsorgung

Installation, Aufbewahrung, Wartung und Entsorgung des Produkts sind ausschließlich von Personen wahrzunehmen, die folgende Voraussetzungen erfüllen:

- Sie müssen in der körperlichen Verfassung sein, um mit Größe, Gewicht und Leistung des Werkzeugs zu Rande zu kommen.
- Sie müssen mit den einschlägigen Sicherheitsauflagen und Unfallverhütungsvorschriften des jeweiligen Landes vertraut sein.
- Sie müssen die Bedienungshinweise gelesen und verstanden haben.

Bedienung

Die Bedienung des Produkts ist geschultem Fachpersonal vorbehalten. Eine ausreichende Qualifikation liegt vor, wenn Bedienpersonen folgende Voraussetzungen erfüllen:

- Sie müssen in der körperlichen Verfassung sein, um mit Größe, Gewicht und Leistung des Werkzeugs zu Rande zu kommen.
- Sie müssen eine Unterweisung in der Bedienung des Produkts erhalten haben, in Übereinstimmung mit landesspezifischen Richtlinien
- Sie müssen mit den einschlägigen Sicherheitsauflagen und Unfallverhütungsvorschriften des jeweiligen Landes vertraut sein.
- Sie müssen die Bedienungshinweise gelesen und verstanden haben.

Persönliche Schutzausrüstung

⚠ **WARNUNG Gefährdung durch Erfassen/Aufwickeln**

- ▶ Vermeiden Sie weite Kleidung und Schmuck.
- ▶ Geraten Sie mit dem Kragen nicht in die Nähe des Werkzeugs bzw. des Zubehörs, um Erwürgungsgefahr zu vermeiden.
- ▶ Geraten Sie mit dem Haar nicht in die Nähe des Werkzeugs bzw. des Zubehörs, um das Erfassen von Haaren zu vermeiden.

Die persönliche Schutzausrüstung muss den geltenden Gesundheits- und Sicherheitsbestimmungen entsprechen.

Die folgende persönliche Schutzausrüstung ist ständig zu tragen:

- Schutzhelm
- Gehörschutz
- Schutzbrille mit Seitenvisier

- Sicherheitshandschuhe
- Sicherheitsschuhe

Drogen, Alkohol, Medikamente

Drogen, Alkohol und Medikamente beeinträchtigen möglicherweise das Urteils- und Konzentrationsvermögen.

⚠ WARNUNG Schlechte Reaktion und unangebrachte Lageeinschätzungen können zu schweren bis tödlichen Verletzungen führen.

- ▶ Nehmen Sie das Produkt unter dem Einfluss von Drogen, Alkohol oder Medikamenten keinesfalls in Betrieb.
- ▶ Hindern Sie andere Personen, die unter dem Einfluss von Drogen, Alkohol oder Medikamenten stehen, an der Verwendung des Produkts.

Installation, Betrieb und Wartung: Vorsichtsmaßnahmen

⚠ WARNUNG Explosivstoffe, explosive Gase und Explosionsgefahr

Gerät das Produkt in Kontakt mit Explosivstoffen, besteht Explosionsgefahr. Explosionen können schwere bis tödliche Verletzungen verursachen.

Funkenflug während des Einsatzes des Produkts kann stark entflammaren Staub und Gase zur Entladung bringen und Feuer oder Explosionen auslösen.

- ▶ Nehmen Sie das Produkt keinesfalls in der Nähe von Explosivstoffen in Betrieb.
- ▶ Arbeiten Sie keinesfalls in entflammaren oder explosionsgefährdeten Umgebungen.
- ▶ Stellen Sie sicher, dass sich im Arbeitsbereich keine versteckten Gasquellen befinden.

⚠ WARNUNG Stromschlaggefahr

Gerät das Produkt in Kontakt mit elektrischen Stromkreisen oder anderen Stromquellen, besteht die Gefahr schwerer bis tödlicher Verletzungen.

- ▶ Arbeiten Sie keinesfalls in der Nähe von elektrischen Schaltkreisen oder sonstigen Stromquellen
- ▶ Stellen Sie sicher, dass sich im Arbeitsbereich keine versteckten Stromkreise befinden.

⚠ WARNUNG Staubbrand

Staub, Dämpfe und sonstige Rückstände in der Luft infolge von Abstreu-, Säge-, Schleif-, Bohr- und sonstigen Bauarbeiten enthalten möglicherweise chemische Substanzen, die Krebs, genetische Schäden oder sonstige Schäden des menschlichen Fortpflanzungssystems hervorrufen. Beispiele solcher chemischer Substanzen sind:

Kristallines Siliziumdioxid, Zement und andere Maurerprodukte.

Arsen und Chrom aus chemisch behandeltem Gummi.

Blei aus bleihaltigen Farben.

- ▶ Um Beeinträchtigungen durch diese chemischen Substanzen einzudämmen, achten Sie auf eine ausreichende Belüftung des Arbeitsbereichs und arbeiten Sie mit der angebrachten Sicherhausrüstung wie Staubmasken mit speziellen Mikropartikelfiltern.
- ▶ Vermeiden Sie das Einatmen von Staub oder das Hantieren mit möglicherweise gesundheitsschädlichen Rückständen aus dem Arbeitsvorgang.
- ▶ Setzen Sie einen Staubabzug z. B. in Form einer Absaugungsvorrichtung ein und legen Sie bei Arbeiten mit Materialien, die Feinstaub in die Luft freisetzen können, einen geeigneten Atemschutz an.
- ▶ Durch Staub und Dämpfe bei Abstreu- und Schleifarbeiten können potenziell explosionsgefährliche Atmosphären entstehen. Setzen Sie in jedem Fall für das jeweilige Material geeignete Vorrichtungen zum Staubabzug bzw. zur Staubbeseitigung ein.

⚠ WARNUNG Gefahren im Zusammenhang mit katapultierten Teilen

Bei Abstreu-, Säge-, Schleif-, Bohr- und sonstigen Bauarbeiten können Funken, Splitter, Schleifscheibenbruchstücke oder sonstige Teile weggeschleudert werden. In diesem Fall besteht für das Bedienpersonal und andere Personen Verletzungsgefahr.

Selbst kleinste katapultierte Teile können schwere Augenverletzungen bis hin zur Erblindung nach sich ziehen.

- ▶ Tragen Sie beim Aufenthalt in der Nähe des Arbeitsbereichs bzw. bei Arbeiten, Reparatur- und Instandsetzungsmaßnahmen sowie auch beim Auswechseln von Werkzeugzubehör in jedem Fall einen stoßfesten Augen- und Gesichtsschutz.
- ▶ Bringen Sie Barrieren an, um andere Personen vor weggeschleuderten Schleifscheibenbruchstücken oder Schleiffunken zu schützen.
- ▶ Überprüfen Sie, dass alle übrigen Personen im Arbeitsbereich einen stoßfesten Augen- und Gesichtsschutz tragen.

⚠ WARNUNG Lärmbelastung

Starke Lärmbelastungen können zu dauerhaftem Hörverlust führen.

- ▶ Verwenden Sie einen den Auflagen zu Arbeitsschutz und Sicherheit am Arbeitsplatz entsprechenden Hörschutz.

⚠️ WARNUNG Verletzungsgefahr durch Schwingungen

Vibrationsbelastungen können zu Nervenschäden führen und die Durchblutung von Händen und Armen beeinträchtigen.

- ▶ Sich ständige wiederholende Bewegungen, ungewöhnliche Arbeitspositionen und Vibrationsbelastungen können Schäden an Händen und Armen verursachen. Bei Benommenheit, Kribbelgefühl, Schmerzen oder bleicher Haut die Arbeit mit dem Werkzeug unterbrechen und einen Arzt aufsuchen.
- ▶ Einsteckwerkzeuge mit verbogenen Einsteckenden nicht verwenden.
- ▶ Verwenden Sie, soweit möglich, Werkzeug mit Schwingungsdämpfung.
- ▶ Verringern Sie die Dauer der Vibrationsbelastung auf ein Minimum.

Allgemeine Informationen

Aufbau und Funktionsweise

Diese Sandpapierschleifmaschine ist ausschließlich für Schleifmittel und dazugehörige Tellervorrichtungen ausgelegt. Es handelt sich um ein Modell mit Schmierung. Das Gerät, seine Zusatzgeräte und sämtliches Zubehör dürfen nur für den vorgesehenen Zweck verwendet werden. Von unzumutbarem Gebrauch ist ausnahmslos abzuweichen.

- An Sandpapierschleifmaschinen keinesfalls Schleif- oder Trennscheiben ohne Schutzhaube anbringen.
- Keinesfalls Kreissägeblätter oder andere Schneider verwenden als für das Werkzeug vorgeschrieben.

Schilder und Aufkleber

An der Maschine sind Schilder und Aufkleber mit wichtigen Informationen zu Sicherheit und Wartung angebracht. Die Schilder und Aufkleber müssen immer gut lesbar sein. Neue Schilder und Aufkleber können anhand der Ersatzteilliste nachbestellt werden.



EG-KONFORMITÄTSERKLÄRUNG

Wir, Atlas Copco Tools AB, S-105 23 STOCKHOLM (SCHWEDEN) erklären hiermit eigenverantwortlich, dass unser Produkt (mit Typenbezeichnung und Seriennummer laut Deckseite) sowie in Verbindung mit unseren von dieser Erklärung erfassten

Zubehörkomponenten den/die folgende(-n) Standard(-s) erfüllt:

EN 792-8

und die Anforderungen der folgenden Richtlinie(-n) erfüllt:

2006/42/EC

Stockholm, 29. Dezember 2009

Lennart Remneäck, Generaldirektor

Unterschrift des Ausstellers

Montage

Drucklufteigenschaften

- Um optimale Leistungseigenschaften und eine möglichst lange Produktlebensdauer sicherzustellen, empfehlen wir den Einsatz von Druckluft mit einem Taupunkt zwischen +2°C und +10°C. Die Anbringung eines Atlas Copco Lufttrockners mit Kühlaggregat wird empfohlen.
- Durch den Einsatz eines separaten Luftfilters vom Typ Atlas Copco FIL lassen sich Feststoffpartikel über 15 µm und mehr als 90 % des Flüssigwassers entfernen. Die Montage hat möglichst in der Nähe des Produkts sowie ggf. vor einer Luftaufbereitungsanlage vom Typ REG oder DIM zu erfolgen (vgl. unseren Hauptkatalog für Zubehör für Druckluftleitungen). Den Schlauch vor dem Anschließen ausblasen.

Modell mit Schmierung:

- Die Druckluft muss mit einer kleinen Ölmenge versetzt sein. Wir empfehlen in jedem Fall die Anbringung eines Atlas Copco DIM Ölnebel-schmierapparats. Dieser ist im Normalfall auf 3-4 Tropfen (50 mm³)/Min. einzustellen (gilt für Werkzeuge mit langen Betriebszyklen). Bei Werkzeugen mit kurzen Betriebszyklen ist ein Atlas Copco Dosol-Direktöler zu verwenden. Bzgl. der Dosol-Einstellungen ziehen Sie den Hauptkatalog, Zubehör für Druckluftleitungen, zu Rate.

Druckluftanschluss

⚠️ WARNUNG Beim Umgang mit Druckluft besteht die Gefahr schwerer Verletzungen.

- ▶ Schalten Sie stets die Druckluftversorgung ab, leeren Sie den Druckluftschlauch und trennen Sie das Werkzeug von der Druckluftzufuhr ab, bevor

Sie Reparaturen oder Eingriffe am Produkt (z. B. Auswechseln von Zubehör) durchführen.

- ▶ Richten Sie Druckluft unter keinen Umständen auf sich oder andere Personen.

⚠ WARNUNG Herumschlagende Schläuche können schwere Verletzungen verursachen.

- ▶ Überprüfen Sie Schläuche und Fixierungen systematisch auf Schäden oder lockeren Sitz.

Kontrolle des Luftdrucks:

- Das Produkt ist für einen Betriebsdruck (e) von 6-7 bar (600-700 kPa / 87-102 psig) vorgesehen.
- Der Luftdruck am Werkzeugeinlass darf bei Betrieb des Produkts den höchstzulässigen Betriebsdruck von 7 bar (700 kPa / 102 psig) nicht übersteigen.
- Den Schlauch vor dem Anschließen ausblasen.

Bedienung

Vgl. auch: *Wartungshinweise*

Vorbereitungen für den Einsatz der Sandpapierschleifmaschine

Korrektur Betrieb der Sandpapierschleifmaschine

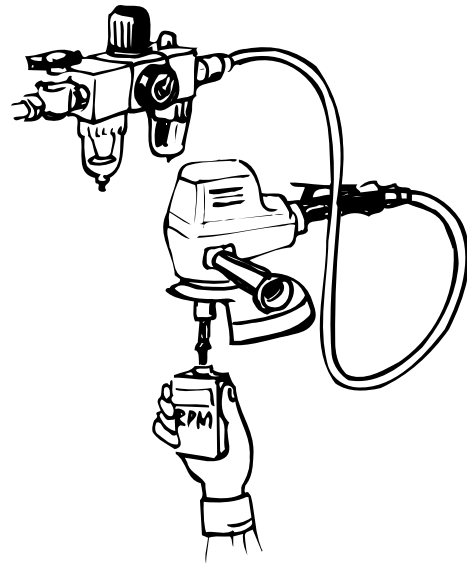
⚠ WARNUNG Bei Drehzahlüberschreitung besteht schwere bis tödliche Verletzungsgefahr

- ▶ Die an der Maschine verzeichnete höchstzulässige Drehzahl darf nicht überschritten werden.

Prüfungen an der Sandpapierschleifmaschine sind ausschließlich von Fachpersonal durchzuführen. Die Techniker müssen zur Durchführung von Tests am betreffenden Werkzeugtyp sowie zur Inbetriebnahme von Luftdruckanlagen (gem. landesspezifischen Bestimmungen) befugt sein.

- Die Leerlaufdrehzahl der Maschine ist täglich bzw. bei jeder Gerätewartung zu überprüfen.

Diese Kontrolle bei abmontierter Schleifvorrichtung durchführen.



- Verwenden Sie einen Druckregler, um Drehzahlüberschreitung durch zu starke Druckluftversorgung zu vermeiden.
- Die Anschlüsse und der Druckluftschlauch müssen sich in einwandfreiem Zustand befinden.

Montierte Schleifausrüstung

⚠ WARNUNG Beim Umgang mit Druckluft besteht die Gefahr schwerer Verletzungen.

- ▶ Schalten Sie stets die Druckluftversorgung ab, leeren Sie den Druckluftschlauch und trennen Sie das Werkzeug von der Druckluftzufuhr ab, bevor Sie Reparaturen oder Eingriffe am Gerät (z. B. Auswechseln von Zubehör) durchführen.

⚠ WARNUNG Bei Verwendung einer ungeeigneten Schleifausrüstung besteht die Gefahr schwerer bis tödlicher Verletzungen.

- ▶ Verwenden Sie einen Schleifteller bzw. ein Schleifmittel mit zur Nenndrehzahl der Sandpapierschleifmaschine passenden Drehzahl.
- ▶ Keine anderen Schleifteller oder Schleifmittel verwenden, als vom Hersteller angegeben (keine Schneidscheiben oder Fräser). Vgl. Abschnitt *Aufbau und Funktionsweise*.
- Empfehlungen für Größe und Typ der Schleifwerkzeuge in jedem Fall beachten
- Angeschlagene Schleifscheiben, Schleifscheiben mit Rissen und heruntergefallene Schleifscheiben nicht verwenden.
- Zur Vermeidung von Verletzungen auf die Verwendung der richtigen Schleifscheiben achten.
- Verwenden Sie ausschließlich beschichtete Sandpapierscheiben bzw. -blätter, die an dem im Lieferumfang der Maschine enthaltenen Schleifteller

einwandfrei fixiert sind. Bei Einsatz von selbsthaftenden Sandpapierscheiben auf deren konzentrische Anbringung achten.

Anleitung für das sachgerechte Arbeiten mit der Sandpapierschleifmaschine

Ziehen Sie den Abschnitt *Sicherheitshinweise* zu Rate, bevor Sie die Sandpapierschleifmaschine in Betrieb nehmen.



⚠️ WARNUNG Die Missachtung der Arbeitsrichtlinien kann schwere bis tödliche Verletzungen nach sich ziehen.

- ▶ Bei Einsatz eines Werkzeugs, für dessen Verwendung eine Schutzhaube vorgesehen ist, muss diese angebracht sein (Schutz vor Schleifspänen, Trümmern u. dgl.).
- ▶ Stellen Sie sicher, dass das Werkstück ordnungsgemäß fixiert ist.
- ▶ Achten Sie darauf, dass keine Verletzungen oder Materialbeschädigungen durch Funkenflug auftreten können.
- ▶ Bei Verwendung des Werkzeugs in Verbindung mit Kunststoffen und anderen nicht leitenden Materialien besteht die Gefahr elektrostatischer Entladung.
- ▶ Es ist die geeignete persönliche Schutzausrüstung zu verwenden; vgl. den Abschnitt *Persönliche Schutzausrüstung*
- ▶ Es besteht die Gefahr schwerer bis tödlicher Verletzungen infolge von Ausrutschen, Stolpern oder Stürzen. Achten Sie auf im Gehbereich oder an der Arbeitsfläche liegende Schläuche.
- ▶ Gehen Sie in unbekanntem Umgebungen mit Vorsicht vor. Es bestehen möglicherweise verborgene Gefahren (z. B. Strom-, Versorgungsleitungen).
- ▶ Achten Sie auf Ihr Gleichgewicht und einen festen Stand.
- ▶ Reagieren Sie bei übermäßiger Vibration infolge eines defekten oder unsachgemäß montierten Einsteckwerkzeugs prompt.
- ▶ Halten Sie sich von drehenden Schleifspindeln und Schleifwerkzeugen fern. Die Drehbewegung

wird mitunter auch nach dem Lösen des Betätigungshebels noch einige Sekunden fortgesetzt. Legen Sie das Werkzeug erst ab, wenn die Drehbewegung zum Stillstand gekommen ist.

- ▶ Achten Sie darauf, dass durch im Schlauch verbliebene Restluft möglicherweise ein unvorhergesehener Gerätestart ausgelöst werden kann.
- ▶ Im Falle eines Stromausfalls das Steuergerät lösen.

Wartung

Korrosionsschutz und Innenreinigung

Wasser in der Druckluft, Staub und durch Abnutzung frei werdende Teilchen können Rostbildung und das Steckenbleiben von Schiebern, Ventilen u. dgl. verursachen.

Um diesem Problem vorzubeugen, mit Öl schmieren (ein paar Tropfen), das Gerät 5-10 Sekunden lang laufen lassen und das überschüssige Öl mit einem Tuch abwischen. **Diesen Vorgang vor längerer Nichtbenutzung des Geräts durchführen.**

Schmierung

Die Maschine verfügt über ein Winkelgetriebe, das mit einem halbflüssigen Schmiermittel behandelt wird, um eine bestmögliche Verschleißfestigkeit zu erzielen. Es ist kein Schmiernippel vorhanden, um Überfüllung zu vermeiden (Gefahr von Überhitzung und Beschädigung der Dichtungen). Das Schmiermittel ist indes alle 200 Betriebsstunden auszuwechseln. Dazu die Spindel des Winkelgetriebes abnehmen.

Zur Sicherung optimaler Schmiereigenschaften Urethyn GE00 halbflüssig verwenden. Es werden max. 7 cm³ benötigt.

ⓘ Verwenden Sie weder Kugellagerfett noch normales Schmierfett.

Schmieranleitung

Nur hochwertige Schmiermittel verwenden. Die in der Schmiertabelle aufgeführten Öle und Schmiermittel sind Beispiele für empfohlene Substanzen.

Marke	Allgemeiner Zweck Lager	Luftschmierung
BP	Energol LS-EP2	Energol E46
Castrol	Spheerol EP L2	
Esso	Beacon EP2	Arox EP46
Q8	Rembrandt EP2	Chopin 46
Mobil	Mobilegrease XHP 222	Almo oil 525
Shell	Alvania EP2	Tonna R32
Texaco	Multifak EP2	Aries 32
Molycote	BR2 Plus	

Wartung

⚠️ WARNUNG Bei Drehzahlüberschreitung besteht schwere bis tödliche Verletzungsgefahr

- ▶ Bei Verwendung eines Drehzahlreglers überprüfen, dass der geeignete Regler montiert ist. Sorgloser Umgang beeinträchtigt seine Funktionstüchtigkeit.
- ▶ Sicherheitskritische Komponenten (z. B. Drehzahlregler und Drehzahlüberschreitungsschutz) nicht auseinander bauen. Diese Komponenten sind im Fall von Beschädigungen vollständig auszuwechseln.
- ▶ Kontrollieren Sie nach jeder Wartung die Leerlaufdrehzahl der Maschine. Vgl. Abschnitt *Vorbereitungen für den Einsatz der Sandpapierschleifmaschine*

Zur vorbeugenden Wartung ist das Schmiermittel im Winkelgetriebe ungefähr alle 200 Betriebsstunden auszuwechseln. Vgl. die Anleitung unter *Schmierung*.

Das Gerät ist alle sechs Monate einer Überprüfung zu unterziehen. Bei Hochleistungsanforderungen oder im Fall unzufriedenstellender Betriebsmerkmale das Gerät häufiger zu Inspektionszwecken außer Betrieb nehmen.

Die Dichtlippe sowie die anliegende Säule auf Verschleiß kontrollieren. Unbedingt darauf achten, dass im Getriebe Schmiermittel vorhanden ist.

Den Filter am Druckluftanschluss regelmäßig reinigen, um Verstopfung und Leistungsabfälle zu vermeiden.

- ① **Die Motorteile reinigen und auf die Schieber sowie die Innenfläche der Zylinder und Abschlussplatten eine dünne Schicht Öl für Luftschmierung auftragen. Den Motor zusammenbauen und seinen freien Lauf kontrollieren. Über den Lufteinlass zwei Tropfen Öl nachfüllen und den Motor etwa 5-10 Sekunden im Leerlauf laufen lassen.**

Nützliche Informationen

Sie finden alle Informationen über die Werkzeugprodukte von Pro, Zubehör, Ersatzteile und Veröffentlichungen auf unserer Webseite!

 **Besuchen Sie unter www.pro-powertools.com**

Technische Daten

Noise and vibration emission

Noise (in accordance with PN8NTC1.2)	dB(A)
Sound pressure level	75
Sound power level	-
Uncertainty	Noise spread - volume

Vibration total value, valid from 2010

(3-axes value in accordance with Vibration according new - volume)	m/s ²
Vibration value	Vibration value new - volume
Uncertainty	Vibration spread new - volume

Vibration value, valid until 2009

(1-axis value in accordance with EN/ISO 8662-8)	m/s ²
Vibration value	<2.5

Statement zur Geräusch & Vibrations-Deklaration

Diese angegebenen Werte wurden während eines Laborversuchs gemäß der vorgegebenen Normen durchgeführt und sind zum Vergleich mit angegebenen Werten anderer Werkzeuge geeignet, welche gemäß derselben Normen geprüft wurden. Diese angegebenen Werte reichen für eine Verwendung in der Risikobewertung nicht aus, wobei Werte gemessen an den verschiedenen Arbeitsplätzen höher liegen können. Die tatsächlichen Expositionswerte und das Gefährdungsrisiko, welchen die einzelne Bedienperson ausgesetzt ist, sind einmalig und hängen von der Arbeitsweise der Bedienperson, dem Werkstück und der Auslegung des Arbeitsplatzes ab, sowie von der Expositionsdauer und der physischen Verfassung der Bedienperson.

Wir, **Atlas Copco Tools AB**, übernehmen keine Haftung für jegliche durch die Anwendung der angegebenen Werte entstehenden Folgen, anstelle von Werten, welche die tatsächliche Exposition reflektieren, in einer individuellen Risikobewertung bei einer Arbeitsplatzsituation, über welche wir keine Kontrolle haben.

Dieses Werkzeug kann das Hand-Arm-Vibrations-Syndrom auslösen, sofern sein Gebrauch nicht in ausreichendem Maße geregelt wird. Ein EU-Leitfaden zur Regelung von Hand-Arm Vibrationen steht

im Internet zur Verfügung: <http://www.humanvibration.com/EU/VIBGUIDE.htm>

Wir empfehlen ein Programm zur Gesundheitsüberwachung, durch welches frühe Symptome erkannt werden können, welche auf die Vibrationsexposition zurückgeführt werden könnten, so dass die Abläufe der Maßnahmen daraufhin so geändert werden können, dass zukünftige Beeinträchtigungen vermieden werden.

Instrucciones de seguridad

Información importante para un uso seguro

Estas instrucciones se refieren a la instalación, funcionamiento, uso y mantenimiento del producto, herramienta montada/insertada y equipos.



- Es muy importante que el operario haya leído y comprendido en su totalidad estas instrucciones antes de comenzar a utilizar este producto
- Guarde estas instrucciones en lugar seguro para futuras consultas y asegúrese de que el operario pueda consultarlas en cualquier momento
- Si se hace caso omiso a estas instrucciones pueden producirse situaciones serias de peligro

Nuestro objetivo es producir herramientas que le ayuden a trabajar de un modo eficaz y seguro.

USTED es el dispositivo de seguridad más importante de esta herramienta y de cualquier otra.

Su atención y sentido común son la mejor protección para evitar lesiones.

Esta herramienta motorizada no debe modificarse por motivos de seguridad fiabilidad de producto. Esta herramienta la deberá instalar, ajustar o utilizar exclusivamente personal cualificado y debidamente formado.

Aquí es imposible proporcionar información sobre todas las situaciones posibles de riesgo, por lo que ofrecemos información sobre las más importantes. Si desea obtener información adicional sobre seguridad, consulte:

- El resto de la documentación e información que se adjunta con esta herramienta
- A su patrón, sindicato y/o asociación comercial
- Los estándares aplicables a los que se hace referencia en la Sección *Declaración de conformidad CE*

Así mismo, podrá encontrar más información sobre seguridad y salud de los trabajadores en los siguientes sitios Web:

<http://www.osha.gov> (EE UU)

<http://europe.osha.eu.int> (Europa)

Palabras de las señales de seguridad

Las palabras de las señales de seguridad Peligro, Atención y Cuidado tienen los siguientes significados:

PELIGRO	Indica una situación de riesgo cuyo resultado, en caso de no evitarse, será la muerte o lesiones personales de gravedad.
ATENCIÓN	Indica una situación de riesgo cuyo resultado, en caso de no evitarse, podría producir la muerte o lesiones personales de gravedad.
CUIDADO	Indica una situación de riesgo cuyo resultado, en caso de no evitarse, podría producir lesiones personales moderadas o leves.

Precauciones y cualificación del personal

Instalación, almacenamiento, mantenimiento y eliminación

La instalación, almacenamiento, mantenimiento y eliminación del producto deberán realizarse exclusivamente por personas que:

- tiene capacidad física suficiente para trabajar con el tamaño, peso y potencia de la herramienta
- conoce todas las instrucciones nacionales aplicables sobre seguridad y prevención de accidentes
- hayan leído y comprendido las instrucciones de funcionamiento

Funcionamiento

Este producto lo deben utilizar exclusivamente operarios cualificados y con la formación adecuada. Se considera que el operario está cualificado si:

- tiene capacidad física suficiente para trabajar con el tamaño, peso y potencia de la herramienta
- si cuenta con la formación adecuada para utilizar el producto de conformidad a las directivas nacionales
- conoce todas las instrucciones nacionales aplicables sobre seguridad y prevención de accidentes
- ha leído y comprendido las instrucciones de funcionamiento

Equipo de protección personal

⚠ ATENCIÓN Riesgo de atrapamiento

- ▶ No lleve la ropa suelta ni artículos de joyería
- ▶ Mantenga las prendas de ropa que lleve alrededor del cuello lejos de la herramienta y accesorios para evitar estrangulamientos
- ▶ Mantenga el pelo lejos de la herramienta y accesorios para evitar desprendimientos del cuero cabelludo

El equipo de protección personal debe cumplir la normativa aplicable sobre seguridad y salud.

Lleve siempre los siguientes elementos de protección personal:

- Casco de seguridad
- Protección auditiva
- Gafas de seguridad con protector lateral

- Guantes de protección
- Calzado de seguridad

Drogas, alcohol y medicamentos

Las drogas, el alcohol y los medicamentos pueden afectar a su sentido común y capacidad de concentración.

⚠ ATENCIÓN Una evaluación incorrecta y una reacción deficiente pueden provocar accidentes de gravedad e incluso la muerte

- ▶ No ponga nunca el producto en marcha si se encuentra bajo la influencia de drogas, alcohol o medicamentos
- ▶ Evite que otras personas utilicen este producto si se encuentran bajo la influencia de drogas, alcohol o medicamentos

Instalación, funcionamiento y mantenimiento: precauciones

⚠ ATENCIÓN Explosivos y gases explosivos, riesgo de explosión

Si el producto entra en contacto con explosivos podría producirse una explosión. Las explosiones pueden provocar lesiones graves e incluso la muerte.

Las chispas pueden incluso volar cuando el producto está en funcionamiento, pudiendo provocar así la detonación de polvo y gases altamente inflamables y provocar incendios o explosiones.

- ▶ No utilizar nunca el producto cerca de explosivos
- ▶ No trabajar nunca en entornos explosivos o altamente inflamables
- ▶ Asegúrese de que no existen líneas de gas ocultas en la zona de trabajo

⚠ ATENCIÓN Descargas eléctricas

Si el producto entrara en contacto con circuitos eléctricos u otras fuentes de alimentación eléctrica, existe el riesgo de que se produzcan lesiones personales de gravedad e incluso la muerte.

- ▶ No trabaje nunca cerca de circuitos eléctrico ni de otras fuentes de alimentación eléctrica
- ▶ Asegúrese de que no existen circuitos eléctricos ocultos en la zona de trabajo

⚠ ATENCIÓN Riesgo provocado por el polvo

Algunos tipos de polvo, humos u otras partículas en suspensión generadas por el lijado mecánico, aserrado, esmerilado, taladrado y otras actividades relacionadas a la construcción contienen sustancias químicas que tal y como ha constatado el Estado de California (Estados Unidos), se saben ocasionan cáncer y defectos congénitos u otro tipo de daños en el aparato reproductivo. A continuación se citan algunos ejemplos de tales sustancias químicas:

Sílice cristalino proveniente de ladrillos, cemento y otros productos de albañilería.

Arsénico y cromo provenientes de madera químicamente tratada.

Plomo proveniente de pinturas con base de plomo.

- ▶ Para reducir la exposición a estas sustancias químicas: trabaje en un área bien ventilada, y utilice equipo de seguridad aprobado como, por ejemplo, máscaras contra el polvo que hayan sido específicamente diseñadas para filtrar partículas microscópicas.
- ▶ Evite la inhalación de polvo o de partículas generadas durante el proceso de trabajo ya que pueden ser peligrosas para su salud.
- ▶ Utilice sistemas de extracción de polvo como, por ejemplo, un equipo de succión y lleve un equipo de protección respiratoria al trabajar con materiales que puedan generar partículas en suspensión
- ▶ El polvo y el humo generado durante el aserrado o esmerilado pueden provocar atmósferas potencialmente explosivas. Utilice siempre sistemas de eliminación o extracción de polvo adecuados al material sobre el que vaya a trabajar

⚠ ATENCIÓN Projectiles

Durante el lijado mecánico, aserrado, esmerilado, taladrado y otras actividades relacionadas con la construcción, las chispas, fragmentos u otras partículas desprendidas pueden convertirse en proyectiles y provocar lesiones corporales al impactar sobre el operario u otras personas.

Incluso proyectiles pequeños pueden provocar lesiones oculares e incluso ceguera.

- ▶ Lleve siempre protección facial y ocular resistente a impactos cuando vaya a realizar cualquier tarea de reparación o mantenimiento de la herramienta, o si se encuentra en la zona de funcionamiento de la misma, o al cambiar cualquier accesorio de la herramienta
- ▶ Utilice barreras para proteger al resto del personal de fragmentos voladores y chispas generadas durante trabajos de esmerilado
- ▶ Compruebe que el resto del personal que haya en la zona lleve protección facial y ocular resistente a impactos

⚠ ATENCIÓN Riesgo provocado por los ruidos

Unos altos niveles de ruido pueden provocar una pérdida auditiva permanente.

- ▶ Utilice protección auditiva del modo indicado en la normativa sobre seguridad y salud de los trabajadores

⚠ ATENCIÓN Riesgo provocado por las vibraciones

La exposición a las vibraciones puede dañar los nervios y afectar al riego sanguíneo de manos y brazos.

- ▶ Los movimientos de trabajo repetitivos, posturas incómodas y exposición a las vibraciones puede ser peligroso para manos y brazos. Si siente los dedos entumecidos, cosquilleos o dolores o un blanqueamiento de la piel, deje de utilizar la herramienta y acuda al médico
- ▶ Las herramientas no deben utilizarse si tienen el buje doblado
- ▶ Utilice herramientas con sistema de amortiguación de vibraciones siempre que sea posible
- ▶ Minimice el tiempo de exposición a las vibraciones

Información general

Diseño y función

Esta lijadora se ha diseñado exclusivamente para productos abrasivos y equipos para realizar rebajes. Este modelo es lubricado. La máquina, junto con los adaptadores y accesorios, sólo debe usarse para el fin para el que ha sido diseñada. Se prohíbe cualquier otro uso.

- No utilice nunca muelas de corte o esmerilado con una lijadora sin protector de muela
- No coloque nunca hojas de sierra circulares ni otros tipos de cortadores que no se hayan especificado para la herramienta

Símbolos y letreros

La máquina incluye símbolos y letreros que contienen información importante sobre la seguridad personal y el mantenimiento de la máquina. Los símbolos y los letreros siempre deben ser fáciles de leer. Pueden pedirse símbolos y letreros nuevos de la lista de piezas de repuesto.



DECLARACIÓN DE CONFORMIDAD CE

Nosotros, Atlas Copco Tools AB, S-105 23 ESTOCOLMO SUECIA declaramos bajo nuestra total responsabilidad que nuestro producto: (tipo y número de serie indicados en la primera página) y nuestros

accesorios, a los que se refiere esta declaración son conformes al/a los estándar/es:

EN 792-8

y a la/las siguiente/s directiva/s:

2006/42/EC

Estocolmo, 29 de diciembre de 2009

Lennart Remnebäck, General Manager

Firma del emisor

Instalación

Calidad del aire

- Para obtener el máximo rendimiento y alargar al máximo la vida útil del producto recomendamos el uso de aire comprimido a un punto de rocío de +2°C y +10°C. Se recomienda la instalación de un secador de aire de tipo refrigeración de Atlas Copco.
- Utilice un filtro de aire independiente de Atlas Copco tipo FIL, que eliminará partículas sólidas de un tamaño superior a 15 micras y más del 90 % de agua líquida, e instálelo tan cerca como sea posible del producto y antes de cualquier otra unidad de preparación de aire como REG o DIM (consulte Accesorios de líneas de aire de nuestro catálogo principal). Limpie las mangueras con aire antes de conectarlas.

Modelos lubricados:

- El aire comprimido debe contener una pequeña cantidad de aceite. Recomendamos encarecidamente que instale un lubricador de niebla de aceite DIM de Atlas Copco y que lo ajuste para que suministre 3–4 gotas (50 mm³)/min para herramientas de ciclos largos o un lubricador DOLSOL de un solo punto de Atlas Copco para herramientas de ciclo corto.

Para ajustes del lubricador Dosol, consulte Accesorios de líneas de aire de nuestro catálogo principal.

Conexión del aire comprimido

⚠ ATENCIÓN El aire a presión puede provocar lesiones personales de gravedad

- ▶ Desconecte siempre el suministro de aire, purgue la presión de aire de la manguera y desconecte la herramienta cuando no esté en uso, antes de realizar cualquier tipo de ajuste en el producto como,

por ejemplo, cambio de accesorios o al realizar reparaciones.

- ▶ No dirija nunca aire directamente hacia usted o hacia cualquier otra persona

⚠ ATENCIÓN Si no se sujeta la manguera correctamente cuando el aire tiene presión, esta puede moverse sin control y provocar lesiones personales de gravedad

- ▶ Compruebe siempre si las mangueras o sus accesorios presentan daños o están sueltas

Comprobación de la presión de aire:

- El producto se ha diseñado para una presión de trabajo (e) de 6–7 bares = 600–700 kPa = 87–102 psig
- La presión de aire en la entrada de la herramienta con el el producto en funcionamiento no debe exceder la presión máxima de funcionamiento de 7 bares – 700 kPa – 102 psig
- Limpie la manguera con aire antes de conectarla.

Funcionamiento

Consulte también *Instrucciones de servicio*

Preparativos antes de utilizar la lijadora

Funcionamiento correcto de la lijadora

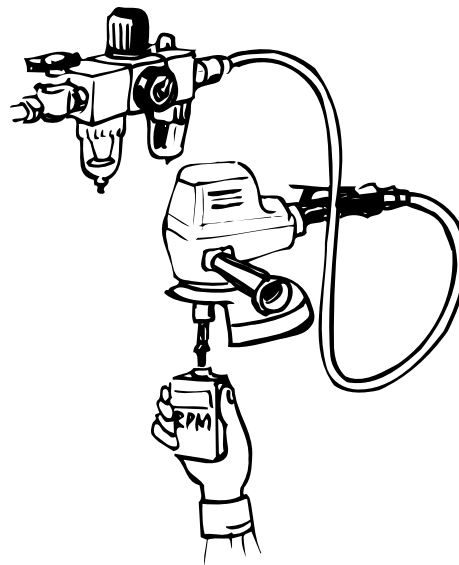
⚠ ATENCIÓN Un exceso de velocidad puede provocar lesiones personales de gravedad e incluso la muerte

- ▶ No exceder la velocidad máxima permisible indicada en la máquina

La comprobación de la lijadora la realizará exclusivamente personal técnico profesional. Los técnicos deben contar con autorización para realizar estas comprobaciones en este tipo de herramientas y para accionar sistemas neumáticos del modo indicado en las directivas nacionales.

- La velocidad libre de la máquina debe comprobarse diariamente y siempre que se realice cualquier tipo de servicio en la máquina. Esta comprobación

debe realizarse con el equipo de esmerilado desmontado.



- Utilice un regulador de presión para evitar una presión de aire excesiva que puede provocar un exceso de velocidad
- Las conexiones y la manguera de aire deben estar en buen estado

Equipo abrasivo montado

⚠ ATENCIÓN El aire a presión puede provocar lesiones personales de gravedad

- ▶ Desconecte siempre el suministro de aire, purgue la presión de aire de la manguera y desconecte la herramienta cuando no esté en uso, antes de realizar cualquier tipo de ajuste en la máquina como, por ejemplo, cambio de accesorios o al realizar reparaciones.

⚠ ATENCIÓN Si se utiliza un equipo abrasivo incorrecto puede estallar y provocar lesiones personales de gravedad e incluso la muerte

- ▶ Utilice un disco de lijado o abrasivo que admita una velocidad superior a la permitida o igual a la velocidad de la lijadora
- ▶ No utilice otro tipo de disco para rebajes ni abrasivos distintos a los especificados por el fabricante (ni muelas de corte ni otro tipo de buriladoras). Consulte la sección *Diseño y función*.

- Utilice exclusivamente los tamaños y tipos de abrasivos recomendados
- No utilice muelas abrasivas despostilladas ni agrietadas ya que pueden caerse
- Para evitar las lesiones que puede provocar una muela abrasiva rota, es necesario un montaje correcto
- Utilice exclusivamente papel o discos de lija abrasivos y asegúrese de que quedan correctamen-

te asegurados al soporte proporcionado con la lijadora. Asegúrese de que los discos de lija de fijación automática queden montados concéntricamente

Forma de trabajar correctamente con la lijadora

Consulte la sección *Instrucciones de seguridad* antes de utilizar la lijadora.



⚠ ATENCIÓN El no seguir una prácticas correctas de trabajo puede provocar lesiones personales de gravedad e incluso la muerte

- ▶ Al utilizar una herramienta diseñada para su uso con protector, éste debe estar colocado en su sitio para ofrecer protección contra las virutas que se desprenden durante el amolado y otro tipo de partículas generadas
- ▶ Asegúrese de que la pieza de trabajo está correctamente sujeta
- ▶ Asegúrese de que las chispas no supongan un riesgo para personas o materiales
- ▶ Existe el riesgo de que se produzcan descargas electrostáticas si la herramienta se utiliza sobre materiales plásticos u otros materiales no conductivos
- ▶ Utilice equipos de protección personal del modo indicado en la sección *Equipo de protección personal*
- ▶ Los resbalones, tropezones o caídas son la principal causa de lesiones personales de gravedad o muertes. Extreme las precauciones con mangueras excesivamente largas colocadas en zonas de paso o la superficie de trabajo
- ▶ Extreme las precauciones en zonas desconocidas. Es posible que existan riesgos ocultos como líneas de servicios públicos o eléctricas
- ▶ Mantenga una posición corporal equilibrada y un apoyo firme sobre sus pies
- ▶ Reaccione rápidamente a una vibración excesiva debida a una herramienta montada incorrectamente o dañada
- ▶ Manténgase alejado de abrasivos y ejes de accionamiento giratorios. La rotación puede continuar

durante varios segundos hasta que se detenga la aceleración. No tumbe la herramienta hasta que no haya dejado de rotar completamente.

- ▶ Recuerde que el aire comprimido almacenado en la manguera puede provocar un arranque involuntario
- ▶ Libere el dispositivo de control si falla el suministro de energía

Mantenimiento

Protección contra el óxido y limpieza interna

El agua en el aire comprimido, el polvo y las partículas del desgaste pueden provocar oxidación y el bloqueo de válvulas, aletas, etc.

Esto puede solucionarse lubricando con aceite (unas cuantas gotas), accionando la máquina durante 5-10 segundos y limpiando el exceso de aceite con un paño. **Esta acción debe realizarse antes de someter la máquina a largas paradas de producción.**

Lubricación

La máquina está equipada con un engranaje en ángulo lubricado con grasa semi-fluida para asegurar una buena resistencia al desgaste. Para evitar un exceso de llenado, que podría provocar un aumento de temperatura que provocaría daños en el sellado, no se ha instalado boquilla de engrase. Por ello, la grasa debería cambiarse cada 200 horas de funcionamiento desmontando el eje del engranaje en ángulo.

Para asegurar una lubricación correcta utilice grasa de tipo Urethyn GE00 semi-fluida. La cantidad de grasa necesaria es de 7cm³ como máximo.

ⓘ No utilice grasa para cojinetes de bola, ni grasa para chasis.

Guía de lubricación

Utilice lubricantes de buena calidad. Los aceites y grasas que se incluyen en la lista de la tabla de lubricación son ejemplos de lubricantes recomendados.

Marca	Uso general Cojinetes	Lubricación de aire
BP	Energrease LS-EP2	Energol E46
Castrol	Spheerol EP L2	
Esso	Beacon EP2	Arox EP46
Q8	Rembrandt EP2	Chopin 46
Mobil	Mobilegrease XHP 222	Almo oil 525
Shell	Alvania EP2	Tonna R32
Texaco	Multifak EP2	Aries 32
Molycote	BR2 Plus	

Revisión

⚠ ATENCIÓN Un exceso de velocidad puede provocar lesiones personales de gravedad e incluso la muerte

- ▶ Si se utiliza un regulador de velocidad, compruebe que se ha montado el regulador de velocidad correcto. Una manipulación negligente puede averiarlo
- ▶ No monte las piezas de seguridad como, por ejemplo, el regulador de velocidad o la desconexión en caso de exceso de velocidad. Estas piezas deben sustituirse por completo cuando sufran daños
- ▶ Controlar siempre la velocidad en vacío de la máquina tras realizar cualquier servicio. Consulte la sección *Preparativos antes de utilizar la lijadora*

Para mantenimiento preventivo, rellenar el depósito de grasa del engranaje angular después de unas 200 horas de funcionamiento. Consultar las instrucciones proporcionadas en *Lubricación*.

Comprobar toda la máquina regularmente, cada seis meses. Si se utiliza en servicio pesado o si no funciona correctamente, deberá mantenerse fuera de servicio con más frecuencia para su revisión.

Comprobar el desgaste del labio de sellado y de la columna adyacente. La junta es fundamental para que no se escape el lubricante de la caja de engranajes.

Limpiar con frecuencia el filtro de entrada de aire para evitar que se atasque y se reduzca su capacidad de filtración.

- ① **Limpie las principales piezas del motor y, a continuación, aplique una capa fina de aceite de lubricación sobre las aletas y la superficie interior del cilindro y placas de los extremos. Monte el motor y compruebe que funciona sin problemas. Vierta dos gotas de aceite a través de la entrada de aire y ponga en marcha el motor al ralentí durante 5-10 segundos.**

Información útil

En ella encontrará todo tipo de información sobre las herramientas, accesorios, recambios, manuales impresos de Pro.

- 📖 **Visite la página en Internet, dirección: www.pro-powertools.com**

Datos técnicos

Emisión de ruido y vibraciones

Ruido (según PN8NTC1.2)	dBA
Nivel de presión sonora	75
Nivel de potencia sonora	-
Incertidumbre	Noise spread - volume

Valor total de las vibraciones, válido a partir de 2010 (valor en 3 ejes según Vibration according new - volume)

	m/s ²
Valor de las vibraciones	Vibration value new - volume
Incertidumbre	Vibration spread new - volume

Valor de las vibraciones, válido hasta 2009 (valor en 1 eje según EN/ISO 8662-8)

	m/s ²
Valor de las vibraciones	<2.5

Declaración sobre ruido y vibraciones

Los valores declarados han sido obtenidos en ensayos de laboratorio realizados según la normativa indicada y pueden utilizarse para compararlos con los valores declarados para otras herramientas que hayan sido ensayadas siguiendo la misma normativa. Los valores declarados no se pueden utilizar para evaluación de riesgos y los valores obtenidos en cada lugar de trabajo podrían alcanzar cifras superiores. Los valores reales de exposición y de riesgo de daños para cada individuo dependen del sistema de trabajo del usuario, del diseño del puesto de trabajo y de la pieza, y también del tiempo de exposición y del estado físico del usuario.

Nosotros, **Atlas Copco Tools AB**, declinamos toda responsabilidad por las consecuencias que puedan derivar de la utilización de los valores declarados, en lugar de los valores que reflejen la exposición real, en una evaluación de riesgos para las personas en un entorno de trabajo concreto sobre el que no tenemos ningún control.

Esta herramienta puede provocar síndrome de vibración si no se gestiona adecuadamente su utilización. Encontrará una guía de la UE respecto a la gestión de vibraciones transmitidas al sistema mano-brazo en la página <http://www.humanvibration.com/EU/VIBGUIDE.htm>

Se recomienda mantener un programa de control sanitario de detección precoz de los síntomas relacio-

nados con la exposición a vibraciones, con objeto de modificar los procedimientos de gestión y así evitar posibles discapacidades.

Instruções de segurança

Informações importantes para uso seguro

Estas instruções tratam da instalação, operação, manuseio e manutenção do produto e de ferramentas e equipamentos introduzidos/montados nele.



- É vital que o operador leia e compreenda completamente as instruções antes de usar este produto.
- Guarde-as em segurança para referência futura e providencie para que o operador tenha pleno acesso a elas.
- A não observância destas instruções pode causar sérios riscos.

Nossa meta é produzir ferramentas que o ajudem a trabalhar com segurança e eficiência.

O equipamento de segurança mais importante para est e qualquer outra ferramenta é VOCÊ.

Sua atenção e critério são a melhor proteção contra acidentes.

Esta ferramenta elétrica não deve ser modificada por razões de responsabilidade pelo produto e de segurança. Somente operadores qualificados e treinados devem instalá-la, ajustá-la e usá-la.

Não é possível cobrir aqui todos os riscos possíveis, mas destacamos alguns dos principais. Para mais informações de segurança, consulte:

- Outros documentos e informações que acompanham a ferramenta
- O seu empregador, sindicato ou associação de classe
- Normas apropriadas conforme citadas na seção *Declaração de Conformidade da CE*

Outras informações sobre saúde e segurança ocupacional podem ser obtidas nos seguintes sites:

<http://www.osha.gov> (EUA)

<http://europe.osha.eu.int> (Europa)

Palavras dos avisos de segurança

As palavras Perigo, Atenção e Cuidado nos avisos de segurança têm os seguintes sentidos:

PERIGO	Indica uma situação de risco que, se não for evitada, resultará em morte ou lesão grave.
ATENÇÃO	Indica uma situação de risco que, se não for evitada, pode vir a resultar em morte ou lesão grave.
CUIDADO	Indica uma situação de risco que, se não for evitada, pode vir a resultar em lesão leve ou moderada.

Precauções e qualificações pessoais

Instalação, armazenamento, manutenção e descarte

A instalação, o armazenamento, a manutenção e o descarte do produto só podem ser efetuadas por pessoas que:

- sejam fisicamente capazes de manipular o volume, peso e poder da ferramenta
- estejam cientes de todas as devidas instruções nacionais de segurança e instruções de prevenção de acidentes
- tenham lido e compreendido as instruções operacionais

Operação

A operação do produto só deve ser efetuada por operadores qualificados. Os operadores estarão qualificados se:

- estiverem fisicamente capazes de manipular o volume, peso e poder da ferramenta
- estiverem treinados para operar o produto em conformidade com as diretivas nacionais
- estiverem cientes de todas as devidas instruções nacionais de segurança e instruções de prevenção de acidentes
- tiverem lido e compreendido as instruções operacionais.

Equipamentos de proteção individual

⚠ ATENÇÃO Risco de emaranhar-se

- ▶ Não use jóias ou bijuterias nem roupas folgadas
- ▶ Não aproxime colares da ferramenta e de seus acessórios para evitar estrangulamento
- ▶ Mantenha os cabelos longe da ferramenta e de seus acessórios para evitar que sejam arrancados

Os equipamentos de proteção individual têm de seguir os regulamentos aplicáveis de saúde e segurança.

Use sempre a seguinte proteção individual:

- Capacete de segurança
- Protetor auricular
- Óculos de segurança com proteção lateral
- Luvas protetoras
- Calçados de segurança

Drogas, álcool e medicamentos

Drogas, álcool e medicamentos podem afetar seu tirocínio e poder de concentração.

⚠ ATENÇÃO Reações inadequadas e erros de avaliação podem provocar acidentes graves ou morte

- ▶ Nunca trabalhe com o produto quando estiver sob a influência de drogas, álcool ou medicamentos
- ▶ Procure impedir outras pessoas de usar o produto se estiverem sob a influência de drogas, álcool ou medicamentos.

Instalação, Operação e Manutenção: precauções

⚠ ATENÇÃO Explosivos e gases explosivos, perigo de explosão

Se o produto entrar em contato com explosivos, poderá ocorrer uma explosão. Explosões podem provocar ferimentos graves ou a morte.

Centelhas que sejam emitidas durante a operação do produto podem detonar poeiras e gases altamente inflamáveis e acarretar incêndios ou explosões.

- ▶ Nunca opere o produto próximo a explosivos
- ▶ Nunca trabalhe em ambiente altamente inflamável ou explosivo
- ▶ Certifique-se de que não existam fontes de gás ocultas na sua área de trabalho

⚠ ATENÇÃO Choque elétrico

Se o produto entrar em contato com circuitos ou outras fontes de energia elétrica, haverá risco de lesão grave ou morte.

- ▶ Nunca trabalhe perto de circuitos elétricos ou outras fontes de energia
- ▶ Certifique-se de que não existam circuitos elétricos ocultos na sua área de trabalho

⚠ ATENÇÃO Riscos da poeira

Certas poeiras, fumos e outros materiais em suspensão no ar criados pelo jateamento, serração, esmerilhamento, perfuração e outras atividades mecanizadas de construção podem conter componentes químicos que o Estado da Califórnia reconhece como causadores de câncer, defeitos de nascença e outros prejuízos ao sistema reprodutor humano. Alguns exemplos de tais componentes químicos:

Sílica cristalina, cimento e outros produtos da alvenaria.

Arsênico e cromo da borracha tratada quimicamente.

Chumbo de tintas a base deste metal.

- ▶ Para reduzir sua exposição a tais componentes químicos, trabalhe em área bem ventilada e use equipamentos de proteção apropriados, como máscaras contra poeira que sejam especificamente indicadas para partículas microscópicas.

- ▶ Evite inalar poeira ou manusear entulhos durante o processo de trabalho quando forem perniciosos para a saúde
- ▶ Use equipamento extrator de poeira, p.ex. aspiradores, e equipamento de proteção respiratória quando trabalhar com materiais que produzam partículas em suspensão no ar.
- ▶ Atmosferas potencialmente explosivas podem ser criadas por poeira e gases resultantes de jateamento ou esmeril. Use sempre sistemas extractores ou supressores de poeira que sejam adequados ao material sendo processado

⚠ ATENÇÃO Projéteis

Durante atividades de jateamento, serração, esmerilhamento, furação e outras atividades de construção, fagulhas, cavacos, fragmentos de rebolo ou outras partículas podem ser arremessados à distância e provocar lesões corporais, atingindo o operador ou outras pessoas.

Mesmo pequenos fragmentos podem atingir os olhos e causar cegueira.

- ▶ Use proteção para os olhos e a face que seja resistente a impactos sempre que se envolver ou trabalhar perto da ferramenta que esteja em operação, reparo ou manutenção ou durante uma troca de acessórios.
- ▶ Use barreiras para proteger os outros de fragmentos de rebolo e fagulhas do esmeril
- ▶ Verifique se todas as outras pessoas no local estão usando proteção resistente a impactos para os olhos e a face

⚠ ATENÇÃO Risco por ruídos

Níveis sonoros muito altos podem causar perda auditiva permanente.

- ▶ Use proteção auditiva de acordo com os regulamentos de saúde e segurança ocupacional

⚠ ATENÇÃO Risco por vibrações

A exposição a vibrações pode afetar os nervos e bloquear o suprimento de sangue para as mãos e braços.

- ▶ Movimentos repetitivos no trabalho, posições forçadas e exposição a vibrações pode ser nocivo para as mãos e os braços. Se perceber dormência, formigamento, dor ou lividez da pele, pare de usar a ferramenta e consulte um médico
- ▶ Ferramentas de inserto com a haste empenada não devem ser usadas
- ▶ Use ferramentas com amortecedores de vibração sempre que disponíveis
- ▶ Reduza o tempo de exposição a vibrações

Informações gerais

Projeto e funcionamento

Esta lixadeira é específica para produtos abrasivos e equipamentos de apoio. Este modelo é lubrificado. A máquina, seus anexos e acessórios só devem ser usados para os fins a que se destina, ficando proibidos para quaisquer outros.

- Nunca use rebolos ou discos de corte em uma lixadeira sem protetor.
- Nunca acople lâminas de serra circular ou outros instrumentos de corte não especificados para a ferramenta.

Sinais e autocolantes

A máquina está equipada com sinais e autocolantes que mostram informação importante sobre a segurança pessoal do operador e a manutenção da máquina. Os sinais e autocolantes devem estar sempre em bom estado e ser fáceis de ler. Pode encomendar novos sinais e autocolantes utilizando a lista de peças sobresselentes.



DECLARAÇÃO DE CONFORMIDADE DA COMUNIDADE EUROPEIA

Nós, a Atlas Copco Tools AB, S-105 23 ESTOCOLMO, SUÉCIA, declaramos, sob nossa exclusiva responsabilidade, que nosso produto (com o tipo e número de série, consulte página de rosto) e em combinação com nossos acessórios, com os quais esta declaração está relacionada, está em conformidade com o(s) padrão(ões) apropriado(s):

EN 792-8

e está em conformidade com a(s) seguinte(s) diretriz(es):

2006/42/EC

Estocolmo, 29 de Dezembro de 2009

Lennart Remnebäck, Gerente Geral

Assinatura do emissor

Instalação

Qualidade do ar

- Para um desempenho ideal e máxima vida útil do produto recomendamos o uso de ar comprimido

com ponto de orvalho entre +2°C e +10°C. É recomendada a instalação de um secador de ar Atlas Copco tipo refrigeração.

- Use um filtro de ar separado do tipo Atlas Copco FIL, que retira partículas sólidas com mais de 15 microns e mais de 90% da água líquida, instalado o mais perto possível do produto e antes de qualquer outra unidade de preparação do ar como REG ou DIM (veja Acessórios da Linha de Ar em nosso catálogo principal). Aplique um jato de ar na mangueira antes de conectá-la.

Modelos lubrificados:

- O ar comprimido precisa conter uma pequena quantidade de óleo. Recomendamos vivamente que você instale um lubrificador de névoa de óleo DIM Atlas Copco ajustado normalmente para 3-4 gotas (50 mm³ /min para ferramentas funcionando em ciclo longo ou um lubrificador de ponto único Atlas Copco tipo Dosol para ferramentas funcionando em ciclo curto.

Para o ajuste do Dosol, veja Acessórios da Linha de Ar em nosso catálogo principal.

Conexão de ar comprimido

⚠ ATENÇÃO Ar pressurizado pode causar lesões graves

- ▶ Feche sempre o suprimento de ar, alivie a pressão da mangueira e desconecte a ferramenta da tomada de ar quando não estiver em uso, ao fazer qualquer ajuste no produto, trocar acessórios ou fazer reparos.
- ▶ Nunca dirija o ar para si mesmo ou outra pessoa

⚠ ATENÇÃO Mangueiras chicoteando podem causar lesões graves

- ▶ Verifique sempre se existem mangueiras e conexões danificadas ou soltas

Verifique a pressão do ar

- O produto é projetado para uma pressão de trabalho (e) de 6-7 bar = 600-700 kPa = 87=102 psig
- A pressão do ar na admissão da ferramenta com o produto em funcionamento não pode exceder a pressão operacional máxima de 7 bar - 700 kPa - 102 psig
- Aplique um jato de ar na mangueira antes de conectá-la.

Operação

Ver também *Instruções de serviço*

Preparativos antes de usar a lixadeira

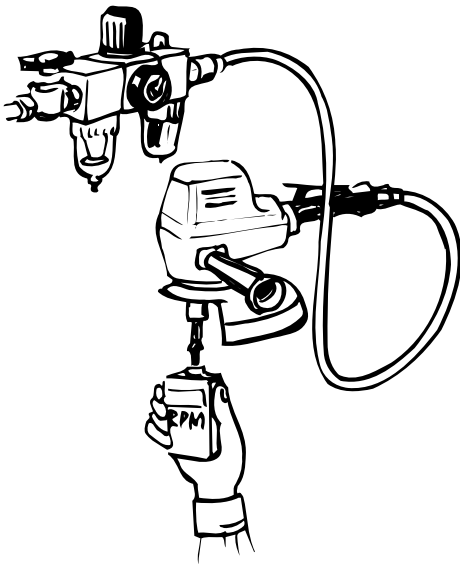
Funcionamento correto da lixadeira

⚠ ATENÇÃO O excesso de velocidade pode provocar lesões graves ou morte

- ▶ A velocidade máxima admissível que se encontra estampada na máquina não pode ser excedida

Testes com a lixadeira só podem ser executados por técnicos profissionais. Os técnicos deverão estar autorizados a testar este tipo de ferramenta e operar um sistema pneumático de acordo com as diretivas nacionais.

- A velocidade livre da máquina deverá ser conferida a cada dia e sempre que a máquina passar por assistência técnica. Esta verificação deve ser realizada com o equipamento esmerilhador desacoplado



- Use um regulador de pressão para evitar pressão excessiva que provoque sobrevelocidade
- As conexões e a mangueira pneumática devem estar em boas condições

Equipamento abrasivo montado

⚠ ATENÇÃO Ar pressurizado pode causar lesões graves

- ▶ Feche sempre o suprimento de ar, alivie a pressão da mangueira e desconecte a ferramenta da tomada de ar quando não estiver em uso, ao fazer qualquer ajuste na máquina, trocar acessórios ou fazer reparos.

⚠ ATENÇÃO Equipamentos abrasivos errados podem saltar e causar lesões graves ou morte

- ▶ Use suportes ou abrasivos com velocidade nominal igual ou superior à da lixadeira pneumática

- ▶ Não use suporte diferente do especificado pelo fabricante (não usar discos de corte ou pontas de fresa). Veja a seção *Projeto e funcionamento*.
- Use somente os tamanhos e tipos de abrasivos recomendados
- Não use rebolos montados que estejam lascados ou rachados ou que possam ter caído no chão
- A montagem correta é necessária para evitar acidentes com rebolos que se partem
- Use somente lâminas ou discos abrasivos revestidos corretamente presos ao suporte que acompanha a lixadeira. Verifique se os discos auto-fixados estão montados de forma concêntrica.

Trabalho correto com a lixadeira

Leia a seção *Instruções de segurança* antes de usar a lixadeira.



⚠ ATENÇÃO A falta de observância das práticas de trabalho corretas pode resultar em lesões graves ou morte

- ▶ Quando usar uma ferramenta dotada de protetor, este deve estar instalado, oferecendo proteção contra limalhas e outros detritos
- ▶ Verifique se a peça a ser trabalhada está devidamente apoiada
- ▶ Cuide para que fagulhas não causem risco a pessoas ou materiais
- ▶ Existe o risco de descarga eletrostática se a ferramenta for usada em plástico e outros materiais não condutores
- ▶ É preciso usar equipamento de proteção individual conforme descrito na Seção *Equipamentos de proteção individual*
- ▶ Escorregões, tropeções e quedas são causas importantes de lesões graves ou morte. Preste atenção na sobra de mangueira deixada pelo chão ou superfície de trabalho
- ▶ Proceda com cuidado em ambientes desconhecidos. Podem haver perigos ocultos, como linhas elétricas ou de outros serviços
- ▶ Mantenha o corpo em posição equilibrada e os pés bem apoiados

- ▶ Reaja rapidamente ao excesso de vibrações devido à ferramenta de inserto danificada ou mal instalada
- ▶ Mantenha distância do acionador e de abrasivos em rotação. A rotação pode continuar por vários segundos depois de se liberar o gatilho. Não largue a ferramenta enquanto a rotação não parar
- ▶ Lembre-se de que o ar comprimido retido na mangueira pode ocasionar uma partida acidental
- ▶ Libere o dispositivo de controle se ocorrer falta de energia

Manutenção

Proteção anticorrosiva e limpeza interna

Água no ar comprimido, poeira e partículas soltas causam ferrugem e o emperramento de palhetas, válvulas etc.

Pode-se resolver o problema lubrificando com óleo (algumas gotas), fazendo a máquina trabalhar por 5 a 10 segundos e limpando o excesso com um pano. **Faça esta rotina antes de paralisações demoradas.**

Lubrificação

A máquina contém um rolamento angular que é lubrificado com graxa semifluida para garantir sua boa resistência ao uso. Para evitar excesso na aplicação de graxa, que poderia resultar em aumento da temperatura e prejudicar as vedações, não existe graxeira. Em lugar disso, a graxa deve ser trocada depois de aproximadamente 200 horas trabalhadas, removendo-se o eixo da engrenagem angular.

Para obter lubrificação com as propriedades exatas, use graxa semifluida do tipo Urethyn GE00. A quantidade de graxa necessária é de no máximo 7cm³.

- ⓘ **Não use graxa de rolamento ou graxa de chassi.**

Guia de lubrificação

Use lubrificantes de boa qualidade. Os óleos e graxas listados na tabela de lubrificação são exemplos de lubrificantes que podem ser recomendados.

Marca	Uso geral Mancais	Lubrificação pneumática
BP	Energrease LS-EP2	Energol E46
Castrol	Spheerol EP L2	
Esso	Beacon EP2	Arox EP46
Q8	Rembrandt EP2	Chopin 46
Mobil	Mobilegrease XHP 222	Almo oil 525
Shell	Alvania EP2	Tonna R32
Texaco	Multifak EP2	Aries 32
Molycote	BR2 Plus	

Revisão

⚠ ATENÇÃO O excesso de velocidade pode provocar lesões graves ou morte

- ▶ Se usar um regulador de velocidade, verifique se foi instalado o modelo correto. O manuseio imprudente pode deixá-lo inoperante.
- ▶ Não desmonte peças de segurança, p.ex. regulador de velocidade ou interruptor de sobrevelocidade. Essas partes têm de ser completamente substituídas quando apresentam avaria.
- ▶ Verifique sempre a velocidade livre da máquina após prestação de serviço. Veja a seção *Preparativos antes de usar a lixadeira*

Para manutenção preventiva, a graxa da engrenagem angular deve ser trocada após cerca de 200 horas de operação. Veja as instruções em *Lubrificação*.

A máquina inteira deve ser verificada com intervalos regulares de seis meses. Se estiver em serviço pesado ou não estiver funcionando bem, deve ser retirada de operação com maior frequência para inspeção.

Verifique se há desgaste no flange e na coluna adjacente. A vedação é essencial para manter o lubrificante no redutor.

O filtro da entrada de ar deve ser limpo com frequência para impedir obstrução e diminuição de capacidade.

- ⓘ **Limpe as peças do motor e aplique uma camada fina de óleo de lubrificação pneumática sobre as palhetas e a superfície interna do cilindro e das placas laterais. Monte o motor e verifique se está funcionando livremente. Acrescente duas gotas de óleo na sucção do cilindro e deixe o motor trabalhar em ponto morte por 5 a 10 segundos.**

Informação útil

No nosso endereço na Web poderá encontrar toda a espécie de produtos Pro, acessórios, peças sobresselentes e publicações!!

 **Aceda à www.pro-powertools.com**

Dados técnicos

modificados, por forma a ajudar a evitar prejuízos futuros.

Emissão de Vibração e Ruído

Ruído (de acordo com PN8NTC1.2)	dBA
Nível de pressão sonora	75
Potência de emissão sonora	-
Incerteza	Noise spread
	-
	volume

Valor total de vibração, válido desde 2010 (valor de 3 eixos de acordo com Vibration according new - volume)	
	m/s ²
Valor de vibração	Vibration value new - volume
Incerteza	Vibration spread new - volume

Valor de vibração, válido até 2009 (valor de 1 eixo de acordo com EN/ISO 8662-8)	
	m/s ²
Valor de vibração	<2.5

Declaração sobre Ruído & Vibração

Estes valores declarados foram obtidos através de testes efectuados em laboratório, de acordo com os padrões indicados e adequam-se à comparação com valores declarados resultantes de outras ferramentas testadas de acordo com os mesmos padrões. Estes valores declarados não se adequam para utilização em avaliações de risco, sendo que os valores medidos em locais de trabalho possam ser superiores. A valores actuais de exposição e o risco de danos que podem ocorrer num utilizador individual são únicos e dependem da forma como o utilizador trabalha, da peça de trabalho e do design do local de trabalho, assim como do tempo de exposição e da condição física do utilizador.

Nós, **Atlas Copco Tools AB**, não podemos ser responsabilizados pelas consequências resultantes da utilização de valores declarados, em vez de valores resultantes de uma avaliação de risco individual que reflecte a exposição actual num local de trabalho sobre o qual não temos nenhum controlo.

Esta ferramenta pode provocar o síndrome de vibração das mãos e braços, caso não seja manuseada de forma adequada. Pode encontrar um guia da UE sobre a vibração das mãos e braços em <http://www.humanvibration.com/EU/VIBGUIDE.htm>

Recomendamos um programa de vigilância médica para detectar atempadamente sintomas, que possam estar relacionados com a exposição à vibração, para que os procedimentos de manuseamento possam ser

Norme di sicurezza

informazioni importanti per un utilizzo sicuro

Queste istruzioni riguardano l'installazione, il funzionamento e la manutenzione del prodotto, dell'utensile inserito/montato e delle apparecchiature.



- È fondamentale che l'operatore abbia letto e pienamente compreso le istruzioni prima di utilizzare questo prodotto.
- Conservare le istruzioni accuratamente per futuro riferimento e fare in modo che siano sempre facilmente disponibili per l'operatore.
- La mancata osservanza di queste istruzioni può causare gravi rischi.

Il nostro obiettivo è produrre utensili che aiutino a lavorare con efficienza ed in sicurezza.

Il dispositivo di sicurezza più importante per questo e per altri utensili siete VOI.

La vostra attenzione e il vostro giudizio corretto sono la miglior protezione contro gli infortuni.

Questo utensile elettrico non deve essere modificato per motivi di sicurezza e responsabilità sul prodotto. Questo utensile deve essere installato, regolato ed utilizzato solo da personale qualificato ed addestrato.

Non è possibile trattare tutti i possibili rischi qui, ma verranno evidenziati alcuni tra quelli più importanti. Per ulteriori informazioni sulla sicurezza, consultare:

- Altri documenti ed informazioni in dotazione a quest'utensile
- Il vostro datore di lavoro, sindacato e/o associazione professionale
- Le normative appropriate menzionate nella Sezione *Dichiarazione di conformità CE*

Ulteriori informazioni sulla salute e la sicurezza sul lavoro sono disponibili sui seguenti siti Web:

<http://www.osha.gov> (USA)

<http://europe.osha.eu.int> (Europa)

Parole dei segnali di sicurezza

Le parole dei segnali di sicurezza Pericolo, Attenzione e Prudenza hanno i seguenti significati:

PERICOLO	Indica una situazione di pericolo che, se non evitata, provocherà infortuni gravi o mortali.
ATTENZIONE	Indica una situazione di pericolo che, se non evitata, potrebbe provocare infortuni gravi o mortali.
PRUDENZA	Indica una situazione di pericolo che, se non evitata, potrebbe provocare infortuni di scarsa o minore gravità.

Precauzioni personali e qualifiche

Installazione, immagazzinamento, manutenzione e smaltimento

L'installazione, l'immagazzinamento, la manutenzione e lo smaltimento del prodotto può essere eseguito esclusivamente da personale che:

- sia fisicamente in grado di maneggiare le dimensioni, il peso e la potenza dell'utensile
- sia consapevole delle rilevanti istruzioni di sicurezza nazionali e delle istruzioni di prevenzione degli infortuni
- abbia letto e compreso le istruzioni di funzionamento

Funzionamento

L'utensile può essere utilizzato solo da operatori qualificati. Gli operatori sono qualificati se:

- sono fisicamente in grado di maneggiare le dimensioni, il peso e la potenza dell'utensile
- sono addestrati all'utilizzo del prodotto in conformità con le direttive nazionali
- sono consapevoli delle rilevanti istruzioni di sicurezza nazionali e delle istruzioni di prevenzione degli infortuni
- hanno letto e compreso le istruzioni di funzionamento

Dispositivi di protezione individuale

⚠ ATTENZIONE Rischio di impigliamento

- ▶ Non indossare indumenti larghi o gioielli.
- ▶ Tenere gli indumenti da collo lontano dall'utensile e dagli accessori per evitare soffocamento
- ▶ Tenere i capelli lontano dall'utensile e dagli accessori per evitare scalpamenti

I dispositivi di protezione individuale devono essere conformi alle normative di salute e sicurezza applicabili.

Indossare sempre i seguenti dispositivi di protezione individuale:

- Casco di sicurezza
- Protezione acustica
- Occhiali antiurto con protezioni laterali
- Guanti protettivi

- Calzature di sicurezza

Droghe, alcool e medicinali

Droghe, alcool e medicinali possono indebolire la capacità di giudizio e di concentrazione.

⚠ ATTENZIONE Reazioni stentate e valutazioni errate possono causare incidenti gravi o mortali

- ▶ Evitare sempre di utilizzare il prodotto sotto l'influenza di droghe, alcool o medicinali.
- ▶ Evitare che altre persone utilizzino il prodotto se sotto l'influenza di droghe, alcool o medicinali.

Installazione, funzionamento e manutenzione: precauzioni

⚠ ATTENZIONE Esplosivi e gas esplosivi, rischi di esplosione

Se il prodotto entra in contatto con esplosivi, può verificarsi un'esplosione. Le esplosioni possono causare infortuni gravi o mortali.

Possono esserci scintille durante l'utilizzo del prodotto, in grado di detonare le polveri altamente infiammabili e causare incendi od esplosioni.

- ▶ Evitare sempre di utilizzare il prodotto in prossimità di esplosivi.
- ▶ Evitare sempre di lavorare in ambienti altamente infiammabili o esplosivi
- ▶ Verificare che non ci siano sorgenti nascoste di gas nell'area di lavoro

⚠ ATTENZIONE Scosse elettriche

Se il prodotto entra in contatto con circuiti elettrici o altre sorgenti di energia elettrica, ci sono rischi di infortuni gravi o mortali.

- ▶ Evitare sempre di lavorare in prossimità di circuiti elettrici o altre sorgenti di energia elettrica
- ▶ Verificare che non ci siano circuiti elettrici nascosti di gas nell'area di lavoro

⚠ ATTENZIONE Polveri pericolose

Alcune polveri, fumi o altri materiali in sospensione creati da operazioni di carteggiatura, segatura, trapanatura ed altre attività di costruzione con utensili elettrici contengono materie chimiche note allo stato della California come cancerogeni o per causare difetti di nascita o altri danni riproduttivi. Esempi di tali materiali chimici sono:

Silicio cristallino, cemento ed altri prodotti per l'edilizia.

Arsenico e cromo proveniente da gomma trattata chimicamente.

Piombo proveniente dalle vernici al piombo.

- ▶ Per ridurre l'esposizione a tali materiali chimici, lavorare in aree ben ventilate e utilizzare dispositivi di sicurezza approvati, come le

maschere antipolvere progettate appositamente per filtrare le particelle microscopiche.

- ▶ Evitare di inalare polveri o maneggiare residui dei processi di lavoro che possono essere dannosi alla salute.
- ▶ Utilizzare estrattori di polvere, ad esempio i kit di aspirazione polveri, ed indossare dispositivi respiratori protettivi se si lavora con materiali che producono particelle sospese.
- ▶ Le atmosfere potenzialmente esplosive possono essere causate da polveri e fumi risultanti dalla carteggiatura o molatura. Utilizzare sempre processi di estrazione delle polveri o sistemi di soppressione adatti ai materiali lavorati.

⚠ ATTENZIONE Proiettili

Durante la carteggiatura, la segatura, la molatura, la trapanatura ed altre attività di costruzione con utensili elettrici, le scintille, i trucioli, i frammenti di mola o altre particelle possono diventare proiettili e causare infortuni colpendo l'operatore o altre persone.

Anche i proiettili più piccoli possono causare infortuni agli occhi e accecare.

- ▶ Indossare sempre protezioni antiurto agli occhi ed al volto lavorando in prossimità o con l'utensile per operazioni di manutenzione, funzionamento o riparazione o sostituendo gli accessori dell'utensile.
- ▶ Utilizzare barriere per proteggere gli altri dai frammenti di mola e dalle scintille di molatura.
- ▶ Verificare che gli altri in zona stiano indossando protezioni antiurto per occhi e volto.

⚠ ATTENZIONE Rumori pericolosi

I livelli acustici eccessivi possono causare perdite di udito permanenti.

- ▶ Utilizzare protezioni acustiche come da normative sul lavoro per la salute e la sicurezza.

⚠ ATTENZIONE Vibrazioni pericolose

L'esposizione alle vibrazioni può danneggiare i nervi e impedire l'arrivo del sangue alle mani ed alle braccia.

- ▶ I movimenti ripetitivi sul lavoro, le posizioni scomode e l'esposizione alle vibrazioni possono essere dannose per le mani e le braccia. In caso di intorpidimento, formicolio e sbianchimento della pelle, sospendere l'utilizzo dell'utensile e consultare il medico.
- ▶ Gli utensili a inserimento con albero piegato non devono essere utilizzati.
- ▶ Utilizzare utensili con vibrazioni smorzate quando possibile.
- ▶ Ridurre al minimo l'esposizione alle vibrazioni.

Informazioni generali

Progettazione e funzionamento

Questa sabbiatrice è destinata esclusivamente a prodotti abrasivi ed apparecchiature di estrazione. Questo modello è lubrificato. La macchina ed i suoi accessori devono essere utilizzati esclusivamente per gli scopi previsti; utilizzi diversi sono proibiti.

- Non fissare in nessun caso mole abrasive o da taglio ad una sabbiatrice senza protezione della mola
- Non fissare in nessun caso seghe circolari o altre lame diverse da quelle specificate per l'utensile.

Targhette ed etichette adesive

Sulla macchina sono apposte targhette ed etichette adesive contenenti informazioni importanti per la sicurezza dell'operatore e la manutenzione della macchina. Targhette ed etichette adesive devono essere sempre leggibili. Targhette ed etichette adesive nuove possono essere ordinate facendo riferimento all'elenco dei pezzi di ricambio.



DICHIARAZIONE CE DI CONFORMITÀ

La sottoscritta azienda, Atlas Copco Tools AB, S-105 23 STOCCOLMA, SVEZIA, dichiara sotto la sua sola responsabilità che il prodotto a cui si riferisce questa dichiarazione (del tipo e con il numero di serie riportati nella pagina a fronte), in combinazione con i relativi accessori, è conforme alla/e normativa/e:

EN 792-8

ed alla/e seguente/i direttiva/e:

2006/42/EC

Stoccolma, 29 dicembre 2009

Lennart Remnebäck, Direttore generale

Firma del dichiarante

Installazione

Qualità dell'aria

- Per ottenere prestazioni ottimali e prolungare al massimo la vita del prodotto, si consiglia di utilizzare aria compressa con un punto di rugiada compreso tra +2°C e +10°C. Si raccomanda

l'installazione di un essiccatore d'aria del tipo a refrigerazione di Atlas Copco.

- Utilizzare un filtro dell'aria separato del tipo Atlas Copco FIL, che rimuove le particelle solide di dimensioni superiori ai 15 micron e più del 90% di acqua liquida, installato il più vicino possibile al prodotto e a monte di qualsiasi altra unità di trattamento dell'aria come REG o DIM (vedere Accessori per linea d'aria nel nostro catalogo principale). Pulire il tubo tramite soffiatura prima di collegarlo.

Modelli lubrificati:

- L'aria compressa deve contenere una piccola quantità d'olio. Si consiglia caldamente di installare un lubrificatore a nebbia d'olio DIM di Atlas Copco, da impostare normalmente a 3-4 gocce (50 mm³)/min per utensili a ciclo di funzionamento prolungato, oppure un lubrificatore per punto singolo Atlas Copco del tipo Dosol per utensili a ciclo di funzionamento breve.

Per l'impostazione del Dosol, vedere Accessori per linea d'aria nel nostro catalogo principale.

Connessione dell'aria compressa

⚠ ATTENZIONE L'aria sotto pressione può causare gravi infortuni.

- ▶ Chiudere sempre l'alimentazione dell'aria, scaricare la pressione dell'aria dal tubo e disconnettere l'utensile dall'alimentazione dell'aria se non utilizzato, prima di effettuare qualsiasi regolazione al prodotto, ad esempio per cambiare accessorio o eseguire riparazioni.
- ▶ Non puntare l'aria su sé stessi né su chiunque altro.

⚠ ATTENZIONE Le sferzate incontrollate del tubo possono causare gravi infortuni.

- ▶ Controllare sempre che il tubo o i raccordi non siano danneggiati o allentati.

Verificare la pressione dell'aria:

- Il prodotto è progettato per una pressione di lavoro (e) pari a 6-7 bar = 600-700 kPa = 87-102 psig
- La pressione dell'aria all'ingresso nell'utensile con il prodotto in funzione non deve superare il valore massimo di funzionamento pari a 7 bar – 700 kPa – 102 psig
- Pulire il tubo tramite soffiatura prima di collegarlo.

Funzionamento

Vedere anche *Istruzioni di manutenzione*

Preparazioni prima di utilizzare la sabbiatrice

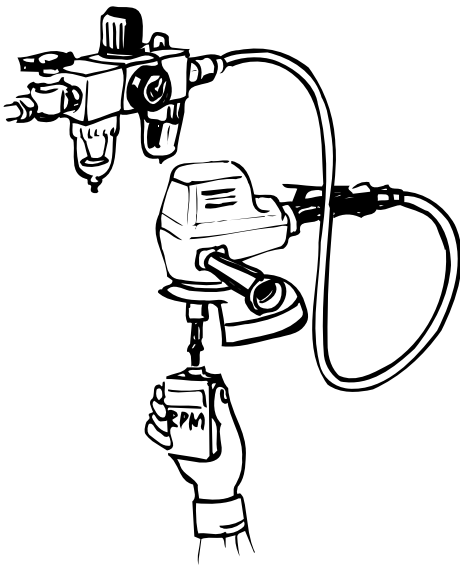
Funzionamento corretto della sabbiatrice

⚠ ATTENZIONE La sovravelocità può causare infortuni gravi o mortali.

- ▶ La velocità massima consentita indicata sulla macchina non deve mai essere superata.

Le prove sulla sabbiatrice devono essere effettuate da tecnici professionisti. I tecnici devono essere autorizzati a testare questo tipo di utensile e ad operare un impianto pneumatico come da direttive nazionali.

- La velocità a vuoto della macchina deve essere controllata quotidianamente ed ogniqualvolta essa sia stata sottoposta a manutenzione. Tale verifica deve essere eseguita a mola non installata.



- Utilizzare un regolatore di pressione onde evitare una pressione dell'aria eccessiva che può causare sovravelocità.
- Le connessioni e il tubo flessibile dell'aria devono essere in buone condizioni.

Apparecchiature abrasive montate

⚠ ATTENZIONE L'aria sotto pressione può causare gravi infortuni.

- ▶ Chiudere sempre l'alimentazione dell'aria, scaricare la pressione dell'aria dal tubo flessibile e disconnettere l'utensile dall'alimentazione dell'aria se non utilizzato, prima di effettuare qualsiasi regolazione sulla macchina, ad esempio per cambiare accessorio o eseguire riparazioni.

⚠ ATTENZIONE Un'apparecchiatura abrasiva di tipo errato può rompersi e causare infortuni gravi o mortali.

- ▶ Utilizzare un platorello di estrazione o abrasivo con velocità consentita superiore o pari alla velocità della sabbiatrice ad aria
- ▶ Non utilizzare platorelli di estrazione o abrasivi diversi da quelli specificati dal produttore (evitare ruote da taglio o contornatrici). Vedere la sezione *Progettazione e funzionamento*.
- Utilizzare esclusivamente le dimensioni ed i tipi di abrasivi raccomandati
- Evitare di utilizzare mole montate che siano rotte o danneggiate, o che potrebbero essere cadute
- Il montaggio deve essere corretto per prevenire infortuni causati da mole montate rotte
- Utilizzare esclusivamente dischi o fogli da sabbiatura ben fissati al platorello di estrazione fornito con la sabbiatrice ad aria. Verificare che i dischi di sabbiatura autofissanti siano montati concentricamente

Utilizzo corretto della sabbiatrice

Leggere la sezione *Istruzioni di sicurezza* prima di utilizzare la sabbiatrice.



⚠ ATTENZIONE Il mancato rispetto delle pratiche di lavoro corrette può causare infortuni gravi o mortali.

- ▶ Quando si utilizza un utensile progettato per avere una protezione, questa deve essere montata per garantire protezione dagli sfridi di molatura ed altri frammenti
- ▶ Verificare che il pezzo di lavoro sia ben supportato.
- ▶ Verificare che le scintille non costituiscano rischi per le persone ed i materiali.
- ▶ Esiste il rischio di scariche elettrostatiche se l'utensile viene utilizzato su plastica ed altri materiali non conduttivi.
- ▶ Utilizzare dispositivi di protezione individuale come descritto alla sezione *Dispositivi di protezione individuale*

- ▶ Scivolamenti, inciampi e cadute sono un'importante causa di infortuni gravi o mortali. Prestare attenzione alla presenza di tratti di tubo flessibile sulla superficie di calpestio o di lavoro.
- ▶ Prestare attenzione in ambienti non conosciuti. Possono esistere rischi nascosti, come linee elettriche o di altro tipo.
- ▶ Mantenere una posizione del corpo ben bilanciata e stabile.
- ▶ Reagire rapidamente alla presenza di vibrazioni eccessive causate da un utensile ad inserimento danneggiato o inserito erroneamente.
- ▶ Tenersi distanti dal mandrino rotante e dagli abrasivi. La rotazione può continuare per diversi secondi dopo aver rilasciato il comando. Non posare l'utensile finché non si è fermata la rotazione.
- ▶ Si tenga presente che l'aria compressa rimasta nel tubo flessibile può causare avvii accidentali.
- ▶ Rilasciare il dispositivo di controllo se si guasta l'alimentazione.

Manutenzione

Protezione dalla ruggine e pulizia interna

L'acqua nell'aria compressa, la polvere e le particelle di usura causano ruggine e l'incollamento di pale, valvole, ecc.

Ciò può essere risolto lubrificando con olio (alcune gocce), facendo funzionare la macchina per 5-10 secondi e lavando via l'eccesso con un panno.

Eseguire questa operazione in caso di arresti prolungati.

Lubrificazione

La macchina è dotata di un rinvio angolare lubrificato con grasso semi-fluido per assicurare una buona resistenza all'usura. Per evitare un riempimento eccessivo, che può causare un'innalzamento della temperatura e danni alle guarnizioni, non c'è nipplo di lubrificazione. Il grasso deve essere sostituito dopo circa 200 ore di funzionamento rimuovendo il mandrino a rinvio angolare.

Per la massima efficacia di lubrificazione, utilizzare grasso semi-fluido tipo Urethyn GE00. La quantità max di grasso richiesta è 7cm³.

- ⓘ **Non utilizzare grasso per cuscinetti a sfere o grasso per telai.**

Guida di lubrificazione

Utilizzare lubrificanti di buona qualità. La tabella di oli e grassi riporta alcuni esempi di lubrificanti consigliati.

Marca	Impieghi generali Cuscinetti	Lubrificazione ad aria
BP	Energrease LS-EP2	Energol E46
Castrol	Spheerol EP L2	
Esso	Beacon EP2	Arox EP46
Q8	Rembrandt EP2	Chopin 46
Mobil	Mobilegrease XHP 222	olio Almo 525
Shell	Alvania EP2	Tonna R32
Texaco	Multifak EP2	Aries 32
Molycote	BR2 Plus	

Revisione

⚠ ATTENZIONE La sovravelocità può causare infortuni gravi o mortali.

- ▶ Se si utilizza un regolatore di velocità, verificare di aver montato quello corretto. Un trattamento incauto può causarne il mancato funzionamento.
- ▶ Evitare di smontare le componenti di sicurezza, ad esempio il regolatore di velocità o l'arresto per sovravelocità. Questi componenti devono essere sostituiti completamente se danneggiati.
- ▶ Controllare sempre la velocità libera dell'utensile dopo la manutenzione. Vedere la sezione *Preparazione prima di utilizzare la sabbiatrice*

Ai fini della prevenzione, il grasso nell'ingranaggio conico deve essere sostituito circa ogni 200 ore di funzionamento. Vedere le istruzioni in *Lubrificazione*.

Controllare regolarmente l'intero utensile ad intervalli di sei mesi. Se l'utensile viene normalmente utilizzato per compiere lavori pesanti o non funziona correttamente, esso deve essere sottoposto a revisioni più frequenti.

Verificare l'usura della guarnizione a labbro e della colonna adiacente. La tenuta è essenziale per tenere il lubrificante la scatola degli ingranaggi.

Pulire frequentemente il filtro all'ingresso dell'aria al fine di prevenire intasamenti che ne diminuirebbero le capacità.

- ⓘ **Pulire le componenti del motore ed applicare un sottile strato di olio per lubrificazione ad aria sulle pale e le superfici interne del cilindro e delle piastre di estremità. Assemblare il motore e controllare che funzioni correttamente. Aggiungere due gocce d'olio attraverso l'ingresso dell'aria e far girare il motore alla velocità a vuoto per 5-10 secondi.**

Informazioni utili

📖 Il nostro sito www.pro-powertools.com contiene numerose informazioni utili sui prodotti, sugli accessori e sui ricambi Pro!!

Dati tecnici

Emissioni acustiche e vibratorie

Emissioni acustiche (conformi a PN8NTC1.2)	dBA
Livello della pressione acustica	75
Livello di potenza acustica	-
Incertezza	Noise spread
	-
	volume

Valore totale delle vibrazioni, valido dal 2010 (valore dei 3 assi conforme a Vibration according new - volume)		m/s ²
Valore delle vibrazioni	Vibration value new - volume	
Incertezza	Vibration spread new - volume	

Valore delle vibrazioni, valido fino al 2009 (valore di 1 asse conforme a EN/ISO 8662-8)		m/s ²
Valore delle vibrazioni		<2.5

Dichiarazione su vibrazioni e rumorosità

I valori qui dichiarati sono stati ottenuti mediante test eseguiti in laboratorio conformemente alla direttiva o agli standard indicati e sono idonei al raffronto con i valori dichiarati di altri utensili testati in conformità alla medesima direttiva o standard. I valori qui dichiarati non sono adeguati a un utilizzo per la valutazione del rischio e i valori misurati nei singoli luoghi di lavoro potrebbero essere più elevati. I valori di esposizione effettivi e il rischio di lesioni per ogni singolo operatore sono unici e dipendono dal modo in cui lavora l'operatore, dal pezzo e dalla struttura della stazione di lavoro, nonché dai tempi di esposizione e dalle condizioni fisiche dell'operatore.

Nella valutazione del rischio individuale in un contesto operativo sul quale l'azienda non può esercitare alcun controllo, **Atlas Copco Tools AB**, non può essere ritenuta responsabile per le eventuali conseguenze derivanti dall'utilizzo dei valori dichiarati anziché dei valori relativi all'esposizione effettiva.

Se non utilizzato in modo idoneo, questo utensile può provocare la sindrome da vibrazioni mano-braccio. Per una guida UE sulla gestione delle vibrazioni mano-braccio, consultare l'indirizzo internet

<http://www.humanvibration.com/EU/VIBGUIDE.htm>

Si raccomanda l'adozione di un programma di controllo sanitario finalizzato a individuare i primi sintomi di un'eventuale esposizione alle vibrazioni,

affinché sia possibile modificare le procedure di gestione e aiutare a prevenire disabilità significative.

Veiligheidsvoorschriften

Belangrijke informatie voor veilig gebruik

Deze instructies hebben betrekking op de installatie, werking, bediening en het onderhoud van producten, inzet- en opzetgereedschap en apparatuur.



- Het is van groot belang dat de gebruiker de instructies leest en begrijpt alvorens dit product te gebruiken.
- Bewaar de instructies voor toekomstig gebruik en zorg ervoor dat de gebruiker ze altijd kan raadplegen.
- Het niet opvolgen van deze instructies kan ernstig gevaar opleveren.

Wij stellen ons ten doel gereedschappen te maken waarmee u veilig en efficiënt kunt werken.

Het belangrijkste veiligheidsmechanisme voor dit gereedschap, en voor alle gereedschappen, BENT U.

Uw voorzichtigheid en inschattingsvermogen vormen de beste bescherming tegen ongevallen.

In dit elektrische gereedschap mogen omwille van productaansprakelijkheid en veiligheidsredenen geen wijzigingen worden aangebracht. Alleen gekwalificeerde en getrainde gebruikers mogen dit gereedschap installeren, instellen en gebruiken.

We kunnen hier niet alle mogelijke gevaren bespreken; alleen een aantal van de belangrijkste gevallen wordt aangestipt. Voor extra veiligheidsinformatie kunt u de volgende bronnen raadplegen:

- Andere documenten en informatie die met dit gereedschap zijn meegeleverd
- Uw werkgever, vakbond en/of beroepsvereniging
- De standaarden waarnaar in het hoofdstuk wordt verwezen *EU-verklaring van overeenstemming*

Voor aanvullende informatie over gezondheid en veiligheid op de werkvloer kunt u terecht op de volgende websites:

<http://www.osha.gov> (VS)

<http://europe.osha.eu.int> (Europa)

Veiligheidssignaalwoorden

De veiligheidssignaalwoorden Gevaar, Waarschuwing en Voorzichtig hebben de volgende betekenissen:

GEVAAR	Duidt een gevaarlijke situatie aan die, als deze niet wordt voorkomen, tot de dood of tot ernstig letsel zal leiden.
WAARSCHUWING	Duidt een gevaarlijke situatie aan die, als deze niet wordt voorkomen, tot de dood of tot ernstig letsel zal kunnen leiden.
VOORZICHTIG	Duidt een gevaarlijke situatie aan die, als deze niet wordt voorkomen, tot minder ernstig letsel zal kunnen leiden.

Persoonlijke voorzorgsmaatregelen en kwalificaties

Installatie, opslag, onderhoud en afvoer

Installatie, opslag, onderhoud en afvoer van het product mogen alleen worden uitgevoerd door mensen die:

- fysiek in staat zijn om te gaan met het formaat, het gewicht en de kracht van het gereedschap
- kennis hebben van alle relevante nationale veiligheidsvoorschriften en instructies voor het voorkomen van ongevallen
- de bedieningsinstructies hebben gelezen en begrepen

Bediening

Het product mag alleen worden bediend door gekwalificeerde gebruikers. Gebruikers zijn gekwalificeerd als ze:

- fysiek in staat zijn om te gaan met het formaat, het gewicht en de kracht van het gereedschap
- zijn opgeleid voor het bedienen van het product in overeenstemming met nationale richtlijnen
- kennis hebben van alle relevante nationale veiligheidsvoorschriften en instructies voor het voorkomen van ongevallen
- de bedieningsinstructies hebben gelezen en begrepen

Persoonlijke veiligheidsuitrusting

⚠ WAARSCHUWING Risico op beknelling

- ▶ Draag geen sieraden en loszittende kleding
- ▶ Houd boorden, dassen enz. uit de buurt van het gereedschap om verstikking te voorkomen
- ▶ Houd uw haar uit de buurt van het gereedschap om scalpering te voorkomen

De persoonlijke veiligheidsuitrusting moet voldoen aan de geldende gezondheids- en veiligheidsvoorschriften.

Draag altijd de volgende persoonlijke veiligheidsuitrusting:

- Veiligheidshelm
- Gehoorbescherming
- Veiligheidsbril met zijwaartse bescherming

- Veiligheidshandschoenen
- Veiligheidsschoeisel

Drugs, alcohol en medicijnen

Het gebruik van drugs, alcohol of medicijnen kan uw inschattingsvermogen en uw concentratie nadelig beïnvloeden.

⚠ WAARSCHUWING Slechte reacties en onjuiste beoordelingen kunnen ernstige ongevallen en zelfs de dood tot gevolg hebben.

- ▶ Bedien het product nooit wanneer u onder invloed van drugs, alcohol of medicijnen bent.
- ▶ Voorkom ook dat anderen het product gebruiken terwijl ze onder invloed van drugs, alcohol of medicijnen zijn.

Installatie, bediening en onderhoud: voorzorgsmaatregelen

⚠ WAARSCHUWING Explosieven en explosieve gassen, explosiegevaar

Als het product in aanraking komt met explosieven, kan een explosie optreden. Explosies kunnen ernstige verwondingen of zelfs de dood tot gevolg hebben.

Bij het bedienen van het product kunnen vonken vrijkomen. Deze kunnen licht ontvlambare stoffen en gassen doen ontbranden, wat brand of explosies tot gevolg kan hebben.

- ▶ Bedien het product nooit in de buurt van explosieven.
- ▶ Werk nooit in een licht ontvlambare of explosieve omgeving.
- ▶ Controleer of er zich in uw werkgebied geen verborgen gasbronnen bevinden.

⚠ WAARSCHUWING Elektrische schok

Als het product in contact komt met een elektrisch circuit of een andere elektrische krachtbron, kan dit ernstige verwondingen of zelfs de dood tot gevolg hebben.

- ▶ Werk nooit in de buurt van elektrische circuits of andere elektrische krachtbronnen.
- ▶ Controleer of er zich in uw werkgebied geen verborgen elektrische circuits bevinden.

⚠ WAARSCHUWING Stofgevaar

Sommige vormen van stof, dampen en ander zwevend materiaal dat ontstaat door elektrisch schuren, zagen, slijpen, boren en andere bouwactiviteiten, bevatten chemische stoffen waarvan de Staat Californië heeft vastgesteld dat ze kanker, geboortefwijkingen en andere voortplantingsproblemen kunnen veroorzaken. Hier volgt een aantal voorbeelden van dergelijke chemische stoffen:

Kristallijn silicastof, cement en andere metselproducten.

Arseen en chroom uit chemisch behandeld rubber.

Lood uit verf op loodbasis.

- ▶ Om blootstelling aan deze stoffen zo veel mogelijk te vermijden, moet u in een goed geventileerde omgeving werken en een goedgekeurde veiligheidsuitrusting gebruiken, met bijvoorbeeld stofmaskers die speciaal zijn ontwikkeld om microscopisch kleine deeltjes tegen te houden.
- ▶ Adem geen stof of restdeeltjes van het werkproces in; dit kan uw gezondheid schaden.
- ▶ Maak gebruik van stofverzamelende apparatuur, bijvoorbeeld stofafzuigers, en draag een beschermend masker als u werkt met materialen die zwevende deeltjes genereren.
- ▶ Stof en dampen die vrijkomen bij schuur- of slijpwerkzaamheden kunnen een explosieve situatie veroorzaken. Maak altijd gebruik van apparatuur voor stofverzameling of -onderdrukking die geschikt is voor het te verwerken materiaal.

⚠ WAARSCHUWING Projectielen

Bij elektrisch schuren, zagen, slijpen, boren en andere bouwactiviteiten kunnen vonken, splinters, stukjes van de slijpschijf en andere deeltjes als projectielen worden afgeschoten en verwondingen veroorzaken als ze de gebruiker of andere personen raken.

Ook kleine deeltjes kunnen uw ogen raken en blindheid veroorzaken.

- ▶ Draag altijd slagvaste oog- en gezichtsbescherming als u het gereedschap bedient, repareert of onderhoudt, accessoires aan het gereedschap vervangt of in de buurt bent als dergelijke werkzaamheden plaatsvinden.
- ▶ Gebruik schermen om anderen te beschermen tegen rondvliegende deeltjes en vonken bij het slijpen.
- ▶ Controleer of iedereen die zich in het gebied bevindt slagvaste oog- en gezichtsbeschermers draagt.

⚠ WAARSCHUWING Risico's van lawaai

Hoge geluidsniveaus kunnen blijvende gehoorbeschadiging veroorzaken.

- ▶ Gebruik gehoorbescherming in overeenstemming met de voorschriften op het gebied van gezondheid en veiligheid op de werkvloer.

⚠ WAARSCHUWING Risico's van trillingen

Blootstelling aan trillingen kan de zenuwen beschadigen en de bloedtoevoer naar handen en armen belemmeren.

- ▶ Herhaalde werkbewegingen, ongemakkelijke houdingen en blootstelling aan trillingen kunnen schadelijk zijn voor de handen en armen. Staak het gebruik van de machine en raadpleeg een arts als u last hebt van een dof gevoel, tintelingen of pijn, of als de huid wit kleurt.
- ▶ Gebruik geen inzetgereedschap met een gebogen schacht.
- ▶ Gebruik waar mogelijk gereedschappen met trillingsdemping.
- ▶ Beperk de tijd dat u blootstaat aan trillingen zo veel mogelijk.

Algemene informatie

Ontwerp en functie

Deze schuurmachine is alleen bedoeld voor gebruik met schuurmiddelen en steunschijven. Dit model is gesmeerd. De machine, de hulpstukken en het toebehoren mogen alleen worden gebruikt voor het doel waarvoor ze zijn ontworpen. Elk ander gebruik is verboden.

- Monteer nooit slijp- of snijschijven op een schuurmachine zonder schijfbescherming.
- Bevestig nooit cirkelzaagbladen of andere snijwerktuigen die niet voor het gereedschap zijn gespecificeerd.

Plaatjes en stickers

De machine is uitgerust met plaatjes en stickers met belangrijke informatie over persoonlijke veiligheid en machineonderhoud. De plaatjes en stickers moeten altijd makkelijk leesbaar zijn. Nieuwe plaatjes en stickers kunnen worden besteld met behulp van de lijst van reserveonderdelen.



s017050

EU-VERKLARING VAN OVEREENSTEMMING

Wij, Atlas Copco Tools AB, S-105 23 STOCKHOLM, ZWEDEN, verklaren geheel onder eigen verantwoordelijkheid dat het product (met type- en serienummer, zie voorpagina) waarop deze verklaring betrekking heeft, in combinatie met onze

accessoires, in overeenstemming is met de van toepassing zijnde norm(en)

EN 792-8

en met de richtlijn(en)

2006/42/EC

Stockholm, 29 december 2009

Lennart Remnebäck, Algemeen Directeur

Handtekening van de opsteller

Installatie

Luchtkwaliteit

- Voor optimale prestaties en een maximale levensduur van het product raden wij het gebruik van perslucht met een dauwpunt tussen +2°C en +10°C aan. De installatie van een Atlas Copco luchtdroger van het koeltype wordt aanbevolen.
- Gebruik een afzonderlijk luchtfilter van het type Atlas Copco FIL. Dit verwijdert vaste deeltjes groter dan 15 micron en meer dan 90% vloeibaar water. Monteer het filter zo dicht mogelijk bij het product, vóór enige andere unit voor het prepareren van lucht zoals REG of DIM (zie Luchtleidingsaccessoires in onze hoofdcatalogus). Blaas de slang uit alvorens deze aan te sluiten.

Gesmeerde modellen:

- De perslucht moet een kleine hoeveelheid olie bevatten. Wij raden u sterk aan een DIM olienevelaar van Atlas Copco, die normaliter op 3-4 druppels (50 mm³)/min luchtverbruik voor gereedschappen met lange draaicycli is ingesteld, of een Atlas Copco eenpuntssmeertoestel van het type Dosol voor gereedschappen met korte draaicycli te installeren.

Zie voor de Dosol-instelling de

Luchtleidingsaccessoires in onze hoofdcatalogus.

Persluchtaansluiting

⚠ WAARSCHUWING Lucht onder druk kan ernstige verwondingen veroorzaken.

- ▶ Sluit altijd de luchttoevoer af, haal de luchtdruk van de slang en ontkoppel de luchttoevoer van het gereedschap als dit niet in gebruik is en voordat u aanpassingen aan het product gaat maken (bijv. accessoires vervangen) of reparaties gaat uitvoeren.
- ▶ Richt nooit de luchtstroom op uzelf of anderen.

⚠ WAARSCHUWING Zwiependе slangen kunnen ernstige verwondingen veroorzaken.

- ▶ Controleer altijd of de slangen en aansluitingen niet beschadigd zijn of los zitten.

Controleer de luchtdruk:

- Het product is ontworpen voor een werkdruk (e) van 6–7 bar = 600–700 kPa = 87–102 psig.
- De luchtdruk bij de ingang van het gereedschap mag wanneer het product is ingeschakeld niet hoger zijn dan de maximale werkdruk van 7 bar – 700 kPa – 102 psig.
- Blaas de slang uit alvorens deze aan te sluiten.

Bediening

Zie ook *Onderhoudsvoorschriften*

Vorbereidingen voordat u de schuurmachine gaat gebruiken

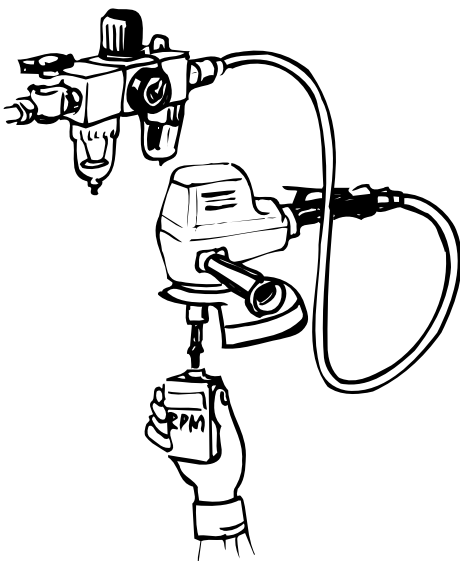
Juiste werking van de schuurmachine

⚠ WAARSCHUWING Een te hoge snelheid kan ernstige verwondingen of zelfs de dood tot gevolg hebben.

- ▶ De maximumsnelheid, die op de machine staat aangegeven, mag niet worden overschreden.

Alleen professionele technici mogen de schuurmachine testen. Zij moeten bevoegd zijn voor het testen van dit type gereedschap en voor het bedienen van pneumatische systemen in overeenstemming met nationale richtlijnen.

- De onbelaste snelheid van de machine moet elke dag en na elke onderhoudsbeurt van de machine worden gecontroleerd. Voor het uitvoeren van deze controle moet de slijpeenheid worden ontkoppeld.



- Gebruik een drukregelaar ter voorkoming van een te hoge luchtdruk die een te hoge snelheid kan veroorzaken.
- De aansluitingen en de luchtslang moeten in goede staat verkeren.

Opzet-schuurschijf

⚠ WAARSCHUWING Lucht onder druk kan ernstige verwondingen veroorzaken.

- ▶ Sluit altijd de luchttoevoer af, haal de luchtdruk van de slang en ontkoppel de luchttoevoer van het gereedschap als dit niet in gebruik is en voordat u aanpassingen aan de machine gaat maken (bijv. accessoires vervangen) of reparaties gaat uitvoeren.

⚠ WAARSCHUWING Onjuist geplaatste schuurschijven kunnen ernstige verwondingen en zelfs de dood tot gevolg hebben.

- ▶ Gebruik alleen steun- en schuurschijven waarvan de maximumsnelheid even hoog of hoger is dan die van de schuurmachine.
- ▶ Gebruik alleen door de fabrikant gespecificeerde steun- en schuurschijven (geen snijschijven of frezen). Zie het hoofdstuk *Ontwerp en functie*.
- Gebruik alleen de aanbevolen formaten en types schuurmiddelen.
- Gebruik geen gebarsten of gebroken opzetschijven, of schijven die mogelijk gevallen zijn.
- Om verwondingen als gevolg van gebroken opzetschijven te voorkomen, is het van belang de schijven op de juiste manier te plaatsen.
- Gebruik alleen gecoate schuurschijven of -bladen die goed aan het met de schuurmachine meegeleverd steunblok zijn bevestigd. Controleer of de zelfbevestigende schuurbladen concentrisch geplaatst zijn.

Correct werken met de schuurmachine

Lees het hoofdstuk *Veiligheidsvoorschriften* voordat u de schuurmachine gaat gebruiken.



⚠ WAARSCHUWING Het niet opvolgen van de juiste werkwijzen kan ernstige verwondingen of zelfs de dood tot gevolg hebben.

- ▶ Bij het gebruik van een gereedschap dat bedoeld is voor gebruik met een beschermuitrusting, moet deze uitrusting aanwezig zijn om bescherming te bieden tegen slijpafval en andere deeltjes.
- ▶ Controleer of het te bewerken voorwerp goed wordt ondersteund.
- ▶ Controleer of mensen of materialen geen gevaar van vonken ondervinden.
- ▶ Als het gereedschap op plastic of een ander niet-geleidend materiaal wordt gebruikt, bestaat het risico op elektrostatische ontlading.
- ▶ U dient een persoonlijke veiligheidsuitrusting te gebruiken, zoals beschreven in het hoofdstuk *Persoonlijke veiligheidsuitrusting*
- ▶ Uitglijden, struikelen en vallen zijn een belangrijke oorzaak van ernstige en dodelijke verwondingen. Let op dat er niet te veel slangen in het loop- of werkgebied rondslingeren.
- ▶ Wees in onbekende omgevingen altijd voorzichtig. Er kunnen verborgen gevaren bestaan, zoals elektriciteits- en andere nutsleidingen.
- ▶ Houd uw lichaam altijd in balans en uw voeten stevig op de vloer.
- ▶ Reageer snel op extreme trillingen als gevolg van beschadigde of onjuist geplaatste inzetgereedschappen.
- ▶ Blijf uit de buurt van draaiende aandrijfassen en schuurmiddelen. De draaiing kan na het loslaten van de gashendel nog enkele seconden doorgaan. Leg het gereedschap pas neer als het draaien is gestopt.
- ▶ Opgeslagen perslucht in de slang kan het gereedschap onbedoeld in werking zetten.
- ▶ Als de energievoorziening uitvalt, moet u de bedieningsinrichting uitschakelen.

Onderhoud

Bescherming tegen roest en inwendig reinigen

Water in de perslucht, stof en slijtagedeeltjes kunnen roestvorming veroorzaken en schoepen, kleppen enz. laten vastlopen.

Dit probleem kunt u oplossen door de machine te smeren met een paar druppels olie, deze gedurende 5-10 seconden in te schakelen en vervolgens overtollige olie met een doek weg te vegen. **Doe dit als u de machine voor langere tijd niet gaat gebruiken.**

Smering

De machine is uitgerust met een haakse tandwieloverbrenging, die met een halfvloeibaar vet wordt gesmeerd om van een goede slijtweerstand verzekerd te zijn. Ter voorkoming van overvulling, wat een temperatuurstijging en schade aan de afdichtingen kan veroorzaken, is er geen smeernippel aanwezig. In plaats daarvan moet het vet na 200 bedrijfsuren worden vervangen door de as van de haakse tandwieloverbrenging te verwijderen.

Gebruik voor de juiste smeereigenschappen Urethyn GE00 van het type halfvloeibaar vet. De vereiste hoeveelheid vet bedraagt max. 7cm³.

ⓘ Gebruik geen kogellagervet of chassisvet.

Handleiding smeermiddelen

Gebruik smeermiddelen van goede kwaliteit. De in de smeertabel opgesomde types vet en olie zijn voorbeelden van aan te bevelen smeermiddelen.

Merk	Algemeen doel Lagers	Luchtsmering
BP	Energ grease LS-EP2	Energol E46
Castrol	Spheerol EP L2	
Esso	Beacon EP2	Arox EP46
Q8	Rembrandt EP2	Chopin 46
Mobil	Mobilegrease XHP 222	Almo oil 525
Shell	Alvania EP2	Tonna R32
Texaco	Multifak EP2	Aries 32
Molycote	BR2 Plus	

Revisie

⚠ WAARSCHUWING Een te hoge snelheid kan ernstige verwondingen of zelfs de dood tot gevolg hebben.

- ▶ Als er een snelheidsreguleur wordt gebruikt, controleer dan of deze correct is gemonteerd. Een onzorgvuldige behandeling kan de goede werking in het gedrang brengen.
- ▶ Demonteer nooit veiligheidsonderdelen, zoals de snelheidsreguleur of de afsluiter voor te hoge snelheden. Deze onderdelen moeten in geval van beschadiging geheel worden vervangen.
- ▶ Controleer na onderhoud altijd de onbelaste snelheid van de machine. Zie het hoofdstuk *Voorbereidingen voordat u de schuurmachine gaat gebruiken.*

Voor preventief onderhoud dient het vet in de haakse tandwieloverbrenging na ongeveer 200 bedrijfsuren te worden vervangen. Zie de voorschriften onder het kopje *Smering*.

De hele machine dient regelmatig (om de zes maanden) te worden gecontroleerd. Als de machine

zwaar wordt belast of niet goed werkt, moet deze frequenter voor inspectie buiten bedrijf worden gesteld.

Controleer de afsluitrand en de naastgelegen kolom op slijtage. De afdichting is van groot belang om smeermiddel in de schakelinrichting te houden.

Het luchtinlaatfilter dient geregeld te worden schoongemaakt om verstopping en verminderde capaciteit te voorkomen.

- ① **Reinig de motoronderdelen en breng een dun laagje luchtsmeerolie aan op de schoepen en het binnenvlak van de cilinder en eindplaten.
Monteer de motor en controleer of deze vrij draait. Voeg twee druppels olie toe via de luchtinlaatopening en laat de motor gedurende 5-10 seconden onbelast draaien.**

Nuttige informatie

U vindt allerhande informatie over de Pro-producten, -accessoires, -reserve-onderdelen en -publicaties op onze web-site!!

 **Bezoek de website www.pro-powertools.com**

Technische gegevens

Geluids- en trillingsuitstoot

Geluid (conform PN8NTC1.2)	dBA
Geluidsdrukniveau	75
Geluidsvermogensniveau	-
Onzekerheid	Noise spread
	-
	volume

Totale trillingswaarde, van kracht vanaf 2010 (waarde 3 assen conform Vibration according new - volume)	
	m/s ²
Trillingswaarde	Vibration value new - volume
Onzekerheid	Vibration spread new - volume

Trillingswaarde, van kracht tot 2009 (waarde 1 as conform EN/ISO 8662-8)	
	m/s ²
Trillingswaarde	<2.5

Verklaring geluid & trilling

Deze aangegeven waarden zijn verkregen door laboratoriumtests conform de aangegeven normen en zijn geschikt om vergeleken te worden met de

aangegeven waarden of andere geteste gereedschappen met dezelfde normen. De aangegeven waarden zijn niet geschikt voor gebruik voor risicobepalingen en de waarden gemeten op de afzonderlijke werkplekken kunnen hoger zijn. De werkelijke blootstellingswaarden en het risico op letsel verschillen per gebruiker en zijn afhankelijk van de manier waarop de gebruiker werkt, het werkstuk en het ontwerp van het werkstation, alsmede de blootstellingstijd en de fysieke conditie van de gebruiker.

Wij Atlas Copco Tools AB zijn niet aansprakelijk voor de consequenties van het gebruik van de aangegeven waarden in plaats van werkelijke blootstellingswaarden voor een afzonderlijke risicobepaling in een werkpleksituatie waarover wij geen controle hebben.

Dit gereedschap kan het hand-arm-trillingssyndroom veroorzaken als het niet correct wordt gebruikt. Een EU-richtlijn voor het beheren van hand-arm-trillingen treft u aan op de website <http://www.humanvibration.com/EU/VIBGUIDE.htm>

Wij adviseren een gezondheidscontrole op te zetten om al in een vroeg stadium symptomen te kunnen waarnemen die gerelateerd zouden kunnen zijn aan blootstellingen aan trillingen, zodat managementprocedures aangepast kunnen worden om toekomstig letsel te voorkomen.

Sikkerhedsinstruktioner

Vigtige oplysninger til sikker anvendelse.

Disse oplysninger vedrører installation, drift, håndtering og vedligeholdelse af produkt samt indsat eller monteret værktøj og udstyr.



- Det er afgørende, at operatøren har læst og forstået instruktionerne, før produktet tages i brug
- Gem instruktionerne til senere brug, og sørg for, at operatøren har nem adgang til dem
- Hvis ovenstående ikke følges, kan der ske alvorlige ulykker

Vores mål er at producere værktøj, der gør arbejdet sikkert og effektivt for dig.

Det vigtigste sikkerhedsэлемент i forbindelse med dette og iøvrigt ethvert værktøj er DIG.

Din behandling og rette vurdering er den bedste beskyttelse mod ulykker.

Af produktansvars- og sikkerhedsgrunde må dette værktøj ikke modificeres. Kun kvalificerede og uddannede operatører må installere, indstille og bruge dette værktøj.

Det er ikke alle faretyper der kan behandles her, men vi fremhæver nogle af de vigtigste. Få yderligere sikkerhedsoplysninger her:

- Andre dokumenter og oplysninger, der følger med dette værktøj
- Din arbejdsgiver, din fagforening og eller handelsorganisation
- Relevante standarder, der er nævnt i afsnittet *EU Overensstemmelseserklæring*

Få yderligere oplysninger om sundhed og sikkerhed på følgende websites:

<http://www.osha.gov> (USA)

<http://europe.osha.eu.int> (Europa)

Sikkerhedssignalord

Sikkerhedssignalordene Fare, Advarsel og Forsigtig har følgende betydninger:

FARE	Angiver en farlig situation, der, hvis den ikke undgås, medfører dødsfald eller alvorlig personskade.
ADVARSEL	Angiver en farlig situation, der, hvis den ikke undgås, evt. kan medføre dødsfald eller alvorlig personskade.
FORSIGTIG	Angiver en farlig situation, der, hvis den ikke undgås, evt. kan medføre mindre eller begrænset personskade.

Personlige forholdsregler og kvalifikationer

Installation, opbevaring, vedligeholdelse og bortskaffelse

Installation, opbevaring, vedligeholdelse og bortskaffelse af produktet må kun foretages af personer, der opfylder følgende krav:

- er fysisk i stand til at håndtere værktøjets volumen, vægt og drivkraft
- er opmærksom på alle de relevante nationale sikkerhedsinstruktioner og uheldsforebyggende instruktioner
- har læst og forstået driftsinstruktionerne

Betjening

Produktet må kun betjenes af kvalificerede operatører. Operatører er kvalificerede, når de:

- er fysisk i stand til at håndtere værktøjets volumen, vægt og drivkraft
- er uddannet til at betjene produktet i overensstemmelse med nationale regulativer
- er opmærksom på alle de relevante nationale sikkerhedsinstruktioner og uheldsforebyggende instruktioner
- har læst og forstået driftsinstruktionerne

Personligt sikkerhedsudstyr

⚠ ADVARSEL Indviklingsfare

- ▶ Bær ikke smykker og løst tøj
- ▶ Hold halskæder væk fra værktøjet og tilbehøret for at undgå kvælning
- ▶ Hold håret på afstand af værktøjet og tilbehøret for at undgå skalpering

Det personlige sikkerhedsudstyr skal overholde alle gældende sundheds- og sikkerhedsregulativer.

Brug altid følgende personlige sikkerhedsudstyr:

- Sikkerhedshjelm
- Høreværn
- Sikkerhedsbriller med sidebeskyttelse
- Beskyttelseshandsker
- Sikkerhedsfodtøj

Narkotika, alkohol og medicin

Narkotika, alkohol og medicin kan sløve din vurderings- og koncentrationsevne.

⚠ ADVARSEL Langsomme reaktioner og forkerte vurderinger kan føre til alvorlige ulykker og dødsfald

- ▶ Brug aldrig produktet, hvis du er under indflydelse af narkotika, alkohol eller medicin

- ▶ Sørg for, at andre ikke bruger produktet, hvis de er under indflydelse af narkotika, alkohol eller medicin

Installation, drift og vedligeholdelse: forholdsregler

⚠ ADVARSEL Eksplosiver og eksplosive gasser, eksplosionsfare

Hvis produktet kommer i kontakt med eksplosiver, kan der ske en eksplosion. Eksplosioner kan føre til alvorlige personskader eller dødsfald.

Der kan flyve gnister, når produktet bliver benyttet, og disse kan detonere meget brændbart støv og gasser, hvilket kan resultere i brand eller eksplosion.

- ▶ Brug aldrig produktet i nærheden af eksplosiver
- ▶ Arbejd aldrig i et meget brændbart eller eksplosivt miljø
- ▶ Sørg for, at der ikke er skjulte gaskilder på arbejdspladsen

⚠ ADVARSEL Elektrisk stød

Hvis produktet kommer i kontakt med elektriske kredsløb eller andre elektriske strømkilder, er der en risiko for alvorlige personskader eller dødsfald.

- ▶ Arbejd aldrig i nærheden af elektriske kredsløb eller andre elektriske strømkilder
- ▶ Sørg for, at der ikke er skjulte elektriske kredsløb på arbejdspladsen

⚠ ADVARSEL Støvfare

Visse støv- eller røgtyper og andre luftbårne materialer, der danner sig ved sandslibning, savning, slibning, boring og andre byggeriaktiviteter, indeholder kemikalier, der ifølge staten Californien kan være kræftfremkaldende og resultere i fødselskader eller andre reproduktionsrisici. Nogle eksempler på sådanne kemikalier er:

Krystallinsk silica og cement og andre byggematerialer.
Arsenik og krom fra kemisk behandlet gummi.
Bly fra blybaserede malinger.

- ▶ For at nedbringe udsættelsen for disse kemikalier bør du arbejde i et grundigt ventileret område og arbejde med godkendt sikkerhedsudstyr som f.eks. støvmasker, der er særligt konstrueret til at bortfiltrere mikroskopiske partikler
- ▶ Undgå at indånde støv eller håndteringsdebris fra arbejdsprocessen, der kan være farligt for dit helbred
- ▶ Brug støvudsugning i form af f.eks. støvudsugningsudstyr og bær åndedrætsværn, når du arbejder med materialer, der producerer luftbårne partikler

- ▶ Potentielst eksplosive atmosfærer kan forårsages af støv og røg fra sandslibning eller slibning. Brug altid støvudsugning eller overtrykssystemer, der er velegnede til de materialer, der bearbejdes

⚠ ADVARSEL Projektiler

Under elektrisk sandslibning, savning, slibning, boring og andre byggeriaktiviteter kan gnister, spåner, skivefragmenter eller andre partikler opføre sig som projektiler og forvolde personskader, hvis de rammer operatøren eller andre personer.

Selv små projektiler kan forvolde skader i øjnene og resultere i blindhed.

- ▶ Brug altid slagfaste øjen- og ansigtsbeskyttelsesmidler, når du arbejder med eller i nærheden af produktet, reparerer eller vedligeholder værktøjet eller skifter reservedele på det
- ▶ Brug barrierer som beskyttelse af andre personer mod skivefragmenter og slibegnister
- ▶ Kontroller, at alle andre personer i området bærer slagfast øjen- og ansigtsbeskyttelse

⚠ ADVARSEL Støjfare

Høje lydniveauer kan give permanente høreskader.

- ▶ Brug høreværn i overensstemmelse med sundheds- og sikkerhedsreglerne

⚠ ADVARSEL Vibrationsfare

Udsættelse for vibrationer kan skade nerverne og hæmme blodforsyningen til hænder og arme.

- ▶ Gentagne arbejdsbevægelser, usædvanlige arbejdsstillinger og udsættelse for vibrationer kan være farlige for hænder og arme. Hvis der opstår følelseløshed, spændinger, smerter eller hvidfarvning af huden, skal værktøjet straks slukkes, og der søges læge
- ▶ Der må ikke benyttes indsatsværktøj med bøjet aksel
- ▶ Brug vibrationsdæmpet værktøj, når det er muligt
- ▶ Minimer den tid, du er udsat for vibrationer

Generel information

Design og funktion

Denne slibemaskine er udelukkende beregnet til slibende produkter og støtteudstyr. Denne model er smurt. Maskinen samt dens tilbehør og ekstraudstyr må kun bruges til det tiltænkte formål. Al anden anvendelse er ikke tilladt.

- Brug aldrig slibe- eller skæreskiver på en slibemaskine uden skiveafskærmning.
- Påsæt ikke rundsavsklinger eller andre skæreværktøjer, der ikke er angivet for værktøjet

Skilte og mærkater

Maskinen er forsynet med skilte og mærkater, som indeholder vigtige informationer om personlig sikkerhed og maskinens vedligeholdelse. Disse skilte og mærkater skal altid være letlæselige. Nye skilte og mærkater kan bestilles i henhold til reservedelslisten.



EU OVERENSSTEMMELSESERKLÆRING

Vi, Atlas Copco Tools AB, S-105 23 STOCKHOLM SVERIGE, erklærer hermed under ansvar, at vores produkt (med type- og serienummer, se forsiden) i kombination med vores tilbehør, som denne erklæring har relation til, er i overensstemmelse med den eller de relevante standarder:

EN 792-8

og i overensstemmelse med følgende direktiv(er):

2006/42/EC

Stockholm, 29. december 2009

Lennart Remneback, General Manager

Udgiverens underskrift

Installation

Luftkvalitet

- For at opnå optimal ydelse og maksimal levetid for maskinen anbefales du at bruge trykluft med et dugpunkt mellem +2° og +10° C. Installation af en Atlas Copco lufttørrer af køletekniktypen kan anbefales.
- Brug et separat Atlas Copco FIL-luftfilter. Det fjerner faste partikler, der er større end 15 mikroner og mere end 90 % af vandet. Filteret installeres så tæt ved produktet som muligt og før nogen anden luftforberedelse, f.eks. REG eller DIM (se Air Line Accessories i vores hovedkatalog). Blæs slangen igennem før tilslutning

Smurte modeller:

- Tryklufften skal indeholde en lille smule olie. Det kan kraftigt anbefales at installere Atlas Copco olietågesmøringsanordningen DIM. Den skal normalt indstilles på 3–4 dråber (50 mm³) pr. for maskiner, der kører over længere perioder. Til maskiner med korte kørselscykluser kan man

installere en Atlas Copco enkeltpunktsmøringsanordning af typen Dosol. Se oplysninger om indstillinger af Dosol i Air Line Accessories i hovedkataloget.

Tryklufftilslutning

⚠ ADVARSEL Luft under tryk kan forårsage alvorlige personskader

- ▶ Sluk altid for luftforsyningen, tøm slangen for trykluft og afbryd værktøjet fra luftforsyningen, når det ikke er i brug, før du begynder at justere produktet, f.eks. ved udskiftning af tilbehør eller ved reparationer
- ▶ Peg aldrig på dig selv eller nogen andre med en trykluffanordning

⚠ ADVARSEL Slinger der pisker rundt, kan forårsage alvorlige personskader

- ▶ Kontroller altid anordningen for beskadigede eller løse slanger og fittings

Kontroller lufttrykket:

- Produktet er designet til et arbejdsstryk (e) på 6–7 bar = 600–700 kPa = 87–102 psig
- Lufttrykket ved værktøjsindsugningen, når produktet kører må ikke overstige det maksimale driftstryk på 7 bar – 700 kPa – 102 psig
- Blæs slangen igennem før tilslutning

Betjening

Se også *Serviceinstruktioner*

Forberedelser før brug af slibemaskinen

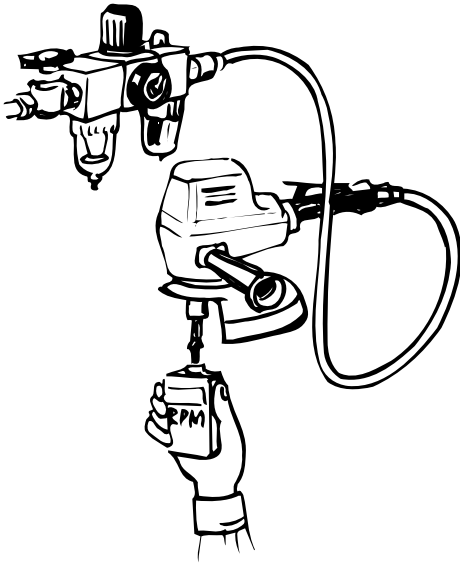
Sådan fungerer slibemaskinen korrekt

⚠ ADVARSEL Overhastighed kan føre til alvorlige personskader eller dødsfald.

- ▶ Den maksimale tilladte hastighed, der er markeret på maskinen, må ikke overskrides

Test af slibemaskinen må kun udføres af professionelle teknikere. Teknikerne skal være autoriserede for at kunne teste denne værktøjstype og for at betjene et pneumatisk system i overensstemmelse med gældende nationale direktiver.

- Maskinens frie hastighed skal kontrolleres dagligt og hver gang maskinen har været til service. Denne kontrol skal udføres, mens maskinen er afbrudt



- Brug en trykregulator til at undgå for stort lufttryk, der kan medføre overhastighed
- Tilslutningerne og luftslangen skal være i god stand

Monteret slibeudstyr

⚠ ADVARSEL Luft under tryk kan forårsage alvorlige personskader

- ▶ Sluk altid for luftforsyningen, tøm slangen for trykluft og afbryd værktøjet fra luftforsyningen, når det ikke er i brug, før du begynder at justere maskinen, f.eks. ved udskiftning af tilbehør eller ved reparationer

⚠ ADVARSEL Forkert slibeudstyr kan sprænge og forårsage alvorlige ulykker og dødsfald

- ▶ Brug en støttepude eller slibeskive, der kan tåle samme hastighed eller en højere hastighed end den, der gælder for luftslibemaskinen
- ▶ Brug ikke andre støttepuder eller slibemidler end dem, der er specificeret af producenten (ingen skæreskiver eller drejebits). Se afsnit *Design og funktion*.
- Brug kun de anbefalede størrelser og typer af slibemidler
- Brug ikke konterede skiver, der er forrevne eller revnede, eller som kan være tabt på gulvet
- Korrekt montering er afgørende for at forhindre personskader på grund af knækkede monterede skiver
- Brug kun coatede sandslibeskiver eller skiver, der er godt fastgjort på støttepuden, som følger med luftsliberen. Sørg for, at selvsiddende slibeskiver er monteret koncentrisk

Korrekt arbejde med slibemaskinen

Læs afsnittet *Sikkerhedsinstruktioner*, før du bruger slibemaskinen.



⚠ ADVARSEL Hvis den rette arbejdspraksis ikke følges, kan det føre til alvorlige personskader eller dødsfald.

- ▶ Ved brug af et værktøj, der er beregnet til at have påmonteret en afskærmning, skal denne altid være på plads, så den kan yde beskyttelse mod slibespåner og andet restmateriale
- ▶ Sørg for, at arbejdsområdet er ordentligt understøttet
- ▶ Sørg for, at eventuelle gnister ikke forvolder skade på personer eller materialer
- ▶ Der er en risiko for elektrostatisk udladning, hvis værktøjet bruges på plastik og andre ikke-ledende materialer
- ▶ Personligt beskyttelsesudstyr skal bruges som beskrevet i afsnittet *Personligt sikkerhedsudstyr*
- ▶ Skridning, udløsning og fald er hovedårsagerne til alvorlige personskader og dødsfald. Pas på, hvis der ligger for lange slanger på gulvet eller arbejdsbordet
- ▶ Vær forsigtig ved arbejde i ukendte omgivelser. Der kan være skjulte farer, f.eks. elektriske ledninger eller andre forsyningslinjer
- ▶ Stå i en afbalanceret position med fødderne fast på underlaget
- ▶ Reager hurtigt, hvis der opstår kraftige vibrationer på grund af et beskadiget eller ukorrekt monteret indføringsværktøj
- ▶ Hold dig på afstand af roterende drevspindler og slibemidler. Rotationen kan fortsætte i flere sekunder, efter at udløseren er sluppet. Læg ikke værktøjet ned, før det er holdt op med at rotere
- ▶ Bemærk, at resterende trykluft i slangen kan starte maskinen utilsigtet
- ▶ Slip kontrolanordningen, hvis energiforsyningen svigter

Vedligeholdelse

Rustbeskyttelse og indvendig rengøring

Vand i trykluft, støv og slidpartikler resulterer i rust og sammenklæbning af lameller, ventiler osv.

Dette kan løses ved smøring med olie (et par dråber), kørsel med maskinen i 5-10 sekunder og efterfølgende aftørring af overskydende olie med en klud. **Gør dette, før maskinen ligger stille i længere tid.**

Smøring

Maskinen er monteret med et vinkelgear, der skal smøres med en halvflydende smørelse, som sikrer god slidstyrke. For at undgå overfyldning, hvilket kan resultere i en stigning i temperaturen og skader på forseglingen, er der ikke nogen smørenippel. I stedet skal smøremidlet skiftes efter ca. 200 funktionstimer, ved at man fjerner vinkelgearspindelen.

Brug halvflydende smørelse af typen Urethyn GE00 for at få de ønskede smøreegenskaber. Den nødvendige mængde smørelse er maks. 7cm³.

ⓘ Brug ikke kuglelejesmørelse eller chassismørelse.

Smøringsguide

Brug kun smørelse af god kvalitet. De olie- og smørelsestyper, der står anført i smøretabellen, er eksempler på anbefalede smørelsestyper.

Branding	Generelt formål Lejer	Luftsmøring
BP	Energol LS-EP2	Energol E46
Castrol	Speerol EP L2	
Esso	Beacon EP2	Arox EP46
Q8	Rembrandt EP2	Chopin 46
Mobil:	Mobilegrease XHP 222	Almo oil 525
Shell	Alvania EP2	Tonna R32
Texaco	Multifak EP2	Aries 32
Molycote	BR2 Plus	

Eftersyn

⚠ ADVARSEL Overhastighed kan føre til alvorlige personskader eller dødsfald.

- ▶ Hvis der benyttes hastighedspressostat, skal det kontrolleres, at den er korrekt. Uforsigtig brug kan resultere i, at den ikke fungerer
- ▶ Sikkerhedsanordninger såsom hastighedspressostat eller overhastighedsafbryder må ikke afmonteres. Disse dele skal udskiftes helt, hvis de bliver beskadigede

- ▶ Kontrollér altid maskinens frie hastighed efter service. Se afsnit *Forberedelser før brug af slibemaskinen*

Som forebyggende vedligeholdelse skal fedtet i vinkelgearet udskiftes efter rundt regnet 200 timers drift. Se vejledningen under *Smøring*.

Hele maskinen skal kontrolleres regelmæssigt med seks måneders intervaller. Hvis den udsættes for hårdt arbejde eller ikke kører tilfredsstillende, skal den tages ud af drift og efterses oftere.

Kontroller tætningslæben og den tilstødende kolonne for slid. Tætningen er afgørende for, at smøremidlet forbliver i gearkassen.

Filteret i indsuget skal rengøres regelmæssigt for at undgå tilstopning, der kan resultere i nedsat ydelse.

- ⓘ Rengør motordelene og smør et tyndt lag luftsmøringsolie på lamellerne og de indvendige sider af cylinderen og endepladerne. Saml motoren og kontroller, at den kører frit. Tilsæt to dråber olie gennem luftindtaget og drej motoren rundt i tomgang i 5-10 sekunder.**

Nyttig information

Her kan man finde alle former for oplysninger vedrørende Pro produkter, tilbehør, reservedele og tryksager på vores WEB-side!!

 **Log ind på www.pro-powertools.com**

Tekniske data

Støj- og vibrationsemission

Støj (i overensstemmelse med PN8NTC1.2)	dBA
Lydtryksniveau	75
Lydeffektniveau	-
Usikkerhed	Noise spread
	-
	volume

Vibrationens totalværdi, gælder fra 2010

(3-aksers værdi i overensstemmelse med Vibration according new - volume)	m/sek. ²
Vibrationsværdi	Vibration value new - volume
Usikkerhed	Vibration spread new - volume

Vibrationsværdi, gælder indtil 2009	
(1-aksers værdi i overensstemmelse med EN/ISO 8662-8)	
	m/sek.²
Vibrationsværdi	<2.5

Støj- og vibrationsdeklaration

Disse deklarerede værdier er opnået ved laboratorietests i overensstemmelse med de angivne standarder, og kan bruges til sammenligning med de deklarerede værdier for andre værktøjer testet i overensstemmelse med de samme standarder. Disse deklarerede værdier er ikke hensigtsmæssige til brug ved risikovurderinger, og værdier målt på individuelle arbejdspladser kan være højere. De faktiske eksponeringsværdier og den skadesrisiko, der oplesves af en enkelt bruger er unikke og er afhængige af den måde, hvorpå brugeren arbejder, emnet og arbejdspladsudformningen, og af brugerens eksponeringstid og fysiske tilstand.

Vi, **Atlas Copco Tools AB**, kan ikke gøres ansvarlige for konsekvenserne af brugen af de deklarerede værdier i stedet for værdier, der afspejler den aktuelle eksponering, i en individuel risikovurdering i en arbejdspladssituation, som vi ikke har nogen kontrol over.

Dette værktøj kan fremkalde hånd-arm-vibrationssyndrom, hvis brugen af det ikke styres på hensigtsmæssig vis. En EU-vejledning i styring af hånd-arm-vibration kan findes på <http://www.humanvibration.com/EU/VIBGUIDE.htm>

Vi anbefaler et helbredsovervågningsprogram, så tidlige symptomer på vibrationseksponering kan blive opdaget, og ledelsesprocedurerne kan ændres mhp. at forebygge fremtidige skader.

Sikkerhetsinstruksjoner

Viktig informasjon for sikker bruk

Disse instruksjonene omfatter installasjon, drift, håndtering og vedlikehold av produkt, innsatt/montert verktøy og utstyr.



- Det er viktig at brukerpersoneell har lest og forstår instruksjonene før produktet tas i bruk.
- Oppbevar disse instruksjonene for senere bruk og sørg for at brukerpersoneell har fullstendig adgang til dem
- Alvorlig skade kan oppstå dersom man ikke følger disse instruksjonene

Vårt mål er å produsere verktøy som hjelper deg til et sikkert og effektivt arbeid.

Den viktigste sikkerhetskomponenten for denne enheten og alle andre verktøy er DEG.

Din dømmekraft og forsiktighet er det beste beskyttelsen mot skade.

Verktøyet må ikke modifiseres med tanke på produktansvar og av sikkerhetsgrunner. Kun kvalifisert brukerpersoneell bør installere, justere eller bruke dette verktøyet.

Alle mulige farer kan ikke dekkes her, men vi belyser noen av de viktigste. For mer sikkerhetsinformasjon se:

- Andre dokumenter og informasjon som fulgte med verktøyet
- Din arbeidsgiver, fagforening eller lignende.
- Gjeldende standarder slik det henvises til i delen *EU SAMSVARERKLÆRING*

Mer sikkerhetsinformasjon finnes på følgende websider:

<http://www.osha.gov> (USA)

<http://europe.osha.eu.int> (Europa)

Sikkerhetsord

Sikkerhetsordene "Fare", "Advarsel" og "Forsiktig" har følgende betydning:

FARE	Indikerer en farlig situasjon hvor, om ikke den unnvikes, vil resultere i død eller alvorlig skade.
ADVARSEL	Indikerer en farlig situasjon hvor, om ikke den unnvikes, kan resultere i død eller alvorlig skade.
FORSIKTIG	Indikerer en farlig situasjon hvor, om ikke den unnvikes, kan resultere små eller mellomstore skader.

Personlige forhåndsregler og kvalifikasjoner

Installering, lagring, vedlikehold og fjerning

Installering, lagring, vedlikehold og fjerning av produkter skal kun utføres av personer som:

- har den fysiske formen som kreves for å håndtere størrelsen, vekten og kraften av verktøyet
- er klar over alle relevante sikkerhetsinstruksjoner og instruksjoner for skadeforhindring
- har lest og forstått driftsinstruksjonene

Betjening

Betjening av produktet skal kun utføres av kvalifisert brukerpersoneell. Personell er kvalifisert om de:

- har den fysiske formen som kreves for å håndtere størrelsen, vekten og kraften av verktøyet
- har fått opplæring i drift av produktet i samsvar med nasjonale direktiver
- er klar over alle relevante sikkerhetsinstruksjoner og instruksjoner for skadeforhindring
- har lest og forstått driftsinstruksjonene

Personlig beskyttelsesutstyr

⚠ ADVARSEL Festefare

- ▶ Ikke bruk smykker eller løse klær
- ▶ Hold halsutstyr borte fra verktøy og tilbehør for å unnvike kvelning
- ▶ Hold hår borte fra verktøy og tilbehør for å unnvike skalpering

Personlig beskyttelsesutstyr må være i samsvar med gjeldende helse- og sikkerhetsinstruksjoner.

Bruk alltid følgende beskyttelsesutstyr:

- Sikkerhetshjelp
- Hørselvern
- Sikkerhetsbriller med sidebeskyttelse
- Beskyttelseshansker
- Vernesko

Narkotika, alkohol og medisiner

Narkotika, alkohol og medisiner kan påvirke dømmekraft og konsentrasjonsevne.

⚠ ADVARSEL Dårlig reaksjon og feilvurderinger kan føre til alvorlig skade eller død

- ▶ Betjen aldri produktet hvis du er påvirket av narkotika, alkohol eller medisiner
- ▶ Forhindre at andre bruker verktøyet dersom de er påvirket av narkotika, alkohol eller medisiner

Installasjon, drift og vedlikehold: forhåndsregler

⚠ ADVARSEL Eksplosiver og eksploderende gasser, eksplosjonsfare

Dersom produktet kommer i kontakt med eksplosiver kan det oppstå en eksplosjon. Eksplosjoner kan føre til alvorlig skade eller død.

Gnister kan oppstå når produktet brukes, og kan detonere lettantennelig støv og gasser og føre til brann eller eksplosjoner.

- ▶ Betjen aldri produktet i nærheten av eksplosiver
- ▶ Arbeid aldri i lettantennelig eller eksplosive områder
- ▶ Sørg for at det ikke finnes noen skjulte gasskilder på din arbeidsplass

⚠ ADVARSEL Elektrisk sjokk

Dersom produktet kommer i kontakt med elektriske kretser eller andre elektriske strømkilder, kan det føre til alvorlig skade eller død.

- ▶ Arbeid aldri i nærheten av elektriske kretser eller andre elektriske strømkilder
- ▶ Sørg for at det ikke finnes noen skjulte elektriske kretser på din arbeidsplass

⚠ ADVARSEL Støvfare

Enkelte støvpartikler, damp eller andre luftpartikler kan oppstå ved sandblåsing, saging, pussing, boring og andre byggeaktiviteter og inneholde emner som kan føre til kreft, fødselsdefekter eller andre skader. Noen eksempel på slike emner er:

Krystallsilikon, sement eller andre mureprodukter.
Arsenikk og krom fra kjemikaliebasert gummi.
Bly fra blybasert maling.

- ▶ For å redusere påvirkningen av slike kjemikalier bør du alltid arbeide på et godt ventilert område, bruke godkjent sikkerhetsutstyr som f.eks. maske som er spesielt utviklet for å filtrere bort mikroskopiske partikler.
- ▶ Unngå å inhalere støv og håndtere avfall fra arbeidsprosessen som kan være skadelig
- ▶ Bruk støvfjerning, f.eks. sugestyr, og bruk luftveisbeskyttende utstyr når du arbeider med materialer som produserer luftpartikler
- ▶ Potensielle eksplosive atmosfærer kan oppstå p.g.a. støv og damp fra sannblåsing eller pussing. Bruk alltid støvfjernings- eller utsugssystemer som passer til materialet som brukes

⚠ ADVARSEL Prosjektiler

Under sandblåsing, saging, pussing, drilling og andre byggeaktiviteter kan fliser og fragmenter forvandles til prosjektiler som kan føre til kroppsskade dersom de treffer brukeren eller andre personer.

Selv små prosjektiler kan føre til skade på øynene og resultere i blindhet.

- ▶ Bruk alltid ansiktsbeskyttelse når du arbeider med, eller i nærheten av drift, reparasjon eller vedlikehold av verktøyet eller verktøydelen
- ▶ Beskytt andre fra fragmenter og fliser
- ▶ Sjekk av andre som arbeider på området bruker ansiktsbeskyttelse

⚠ ADVARSEL Lydfare

Høye lydnivåer kan føre til permanent nedsettelse av hørselen.

- ▶ Bruk hørselvern i henhold til regler om helse og sikkerhet

⚠ ADVARSEL Vibrasjonsfare

Vibrasjoner kan skade nerver og hindre blodsirkulasjonen til hender og armer.

- ▶ Gjentatte arbeidsbevegelser, vonde stillinger og utsettelse for vibrasjoner kan skade hender og armer. Dersom du føler deg nummen, at det stikker, føler smerte eller om huden blir hvit, stans arbeidet og kontakt lege.
- ▶ Verktøy med bøyd blad bør ikke brukes
- ▶ Bruk vibrasjonsdempet verktøy om mulig
- ▶ Minimer tiden hvor du utsettes for vibrasjoner

Generell informasjon

Design og funksjon

Denne slipemaskinen er konstruert kun for slipeprodukter og avpresserutstyr. Denne modellen er smurt. Maskinen, delene og tilbehørene må bare brukes til oppgaver de er utviklet for. Alt annet bruk er forbudt.

- Fest ikke slipe- eller kappskiver til slipemaskinen uten å bruke skivevern.
- Fest ikke sirkelsagblader eller annet skjæreverktøy som ikke passer til verktøyet.

Skilt og klebemerker

Maskinen er utstyrt med skilt og klebemerker med viktig informasjon om personlig sikkerhet og maskinvedlikehold. Skiltene og klebmerkene skal alltid være lett leselige. Nye skilt og merker kan bestilles ved å bruke reservedelslisten.



s011050

EU SAMSVARERKLÆRING

Vi, Atlas Copco Tools AB, SE-105 23 STOCKHOLM, SVERIGE erklærer på vårt

eneansvar at vårt produkt (med type- og serienummer, se forsiden), samt i kombinasjon med våre tilbehør, som denne erklæringen gjelder for, er i samsvar med de relevante standarder:

EN 792-8


og i samsvar med følgende direktiv(er):

2006/42/EC

Stockholm, 29 desember 2009

Lennart Remneback, generaldirektør

Utstederens signatur



Installasjon

Luftkvalitet

- For optimal ytelse og maksimal produktlevetid, anbefales bruk av trykkluft med en fuktighetsgrad på +2°C til +10°C. Installering av Atlas Copco lufttørker med kjøling anbefales.
- Bruk et separat luftfilter av type Atlas Copco FIL som fjerner partikler større enn 15 mikroner og mer enn 90 % flytende vann, installert så tett som mulig til produktet og før andre luftbehandlere som REG eller DIM (se Air Line-tilbehør i vår hovedkatalog). Blås ut av slangen før den kobles til

Smurte modeller:

- Trykkluften må inneholde mindre deler olje. Vi anbefaler på det sterkeste at du installerer Atlas Copco "oil-fog" smørings-DIM, og setter denne som normalt til 3–4 dråper (50 mm³)/min for verktøy som er i drift i lengre tid, eller Atlas Copco smøringstype Dosol, for verktøy som er i drifter i kortere perioder.
For Dosol-innstillinger, vennligst se Ail Line-tilbehør i hovedkatalogen.

Tilkobling av trykkluft

⚠ ADVARSEL Trykkluft kan gjøre alvorlige skader

- ▶ Steng alltid av lufttilførselen, tøm slangene for trykk og koble fra verktøyet når de ikke er i bruk, før justerer produktet, f.eks. bytter tilbehør, eller ved reparasjon.
- ▶ Styr aldri luften direkte mot deg selv eller andre

⚠ ADVARSEL "Hoppende" slanger kan føre til alvorlige skader

- ▶ Sjekk alltid at slanger og tilbehør ikke er skadet

Sjekk lufttrykket:

- Produktet er utviklet for trykkluft på 6–7 bar = 00–700 kPa = 87–102 psig
- Lufttrykket i verktøyet må ikke overstige maksimalt driftstrykk på 7 bar 700 kPa – 102 psig
- Blås ut av slangen før den kobles til

Betjening

Se også *Serviceinstruksjoner*

Forberedelser før bruk av sliperen

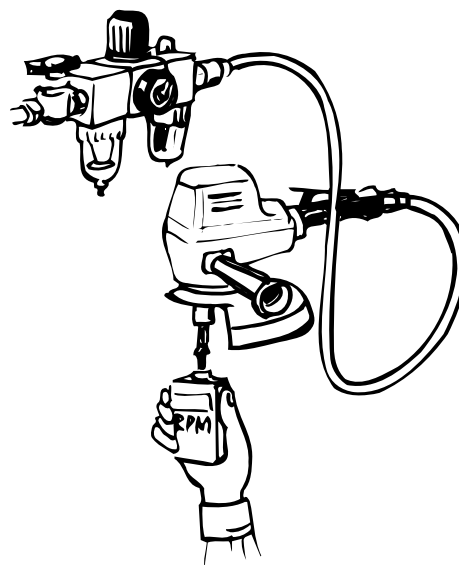
Riktig funksjon av sliperen

⚠ ADVARSEL Overhastighet kan lede til alvorlig skade eller død

- ▶ Den maksimale tillatte hastigheten, som er angitt på maskinen, må ikke overskrides

Testing av sliperen bør bare utføres av profesjonelle teknikere. Teknikeren må være autorisert i service på dette verktøyet og i betjeningen av pneumatiske systemer i samsvar med nasjonale direktiver.

- Maskinens frie hastighet må kontrolleres hver dag og hver gang maskinen har fått vedlikehold. Denne kontrollen bør utføres uten at slipeutstyret er montert



- Bruk en trykkregulator for å unngå for høyt lufttrykk, som kan føre til overhastighet
- Tilkoblinger og luftslanger må være hele og fine

Montert slipeutstyr

⚠ ADVARSEL Trykkluft kan gjøre alvorlige skader

- ▶ Steng alltid av lufttilførselen, tøm slangene for trykk og koble fra verktøyet når de ikke er i bruk, før justerer produktet, f.eks. bytter tilbehør, eller ved reparasjon.

⚠ ADVARSEL Dersom du bruker feil slipeutstyr kan dette ødelegges og føre til alvorlig skade eller død

- ▶ Bruk en monteringssskive eller slipeutstyr med tillatt hastighet som er høyere eller likt hastigheten på trykkluftsliperen
- ▶ Ikke bruk andre monteringssskiver eller slipeutstyr enn det som spesifiserer fra produsenten (ingen kuttesskiver eller ruterbits). Se kapittelet *Design og funksjon*.
- Bruk bare anbefalt mengde og type av slipemiddel
- Bruk ikke skiver som ikke er hele eller som har blitt utsatt for fall
- Korrekt montering nødvendig for å forhindre skader fra ødelagte skiver
- Bruk bare dekte slipeskiver eller ark som er korrekt sikret mot monteringssskiven som leveres med sliperen. Sikre at de selvfestende slipeskivene blir montert konsentrisk.

Korrekt arbeidsmåte med sliperen

Les kapittelet *Sikkerhetsinstruksjoner* før bruk av sliperen.



⚠ ADVARSEL Dersom du ikke følger korrekt arbeidspraksis kan du utsettes for alvorlig skade eller død

- ▶ Når du bruker et verktøy som er beregnet til å skulle brukes med vern må vernet være på plass for å gi beskyttelse fra slipespon og annet avfall.
- ▶ Sørg for at emnet er ordentlig sikret
- ▶ Sørg for at gnister ikke skaper et faremoment for mennesker eller materialer
- ▶ Det kan oppstå en elektrostatisk utladning dersom verktøyet brukes på plastid eller andre ikke-ledende materialer
- ▶ Personlig beskyttelsesutstyr må brukes i henhold til kapittelet *Personlig beskyttelsesutstyr*
- ▶ Gli/snuble/falle er en stor årsak til alvorlige skader eller død. Pass opp for slanger som ligger på gulvet eller på arbeidsoverflaten

- ▶ Vær forsiktig dersom du er på ukjente steder. Skjulte farer kan forekomme, så som elektriske eller andre installasjoner
- ▶ Sørg for at du har en balansert kroppsposisjon og et godt fotfeste
- ▶ Reager raskt på ekstra vibrering som oppstår på grunn av skadede eller ukorrekt monterte verktøy
- ▶ Hold avstand til roterende spindler og slipemidler. Roteringen kan fortsette flere sekunder eller at man har stoppet maskinen. Ikke legg verktøyet ned før roteringen har stoppet
- ▶ Vær obs på at lagret trykkluft i slangen kan starte maskinen
- ▶ Slipp opp kontrollenheten dersom kraftforsyningen forsvinner

Vedlikehold

Rustbeskyttelse og intern rengjøring

Vann i trykkluft, samt støv og andre partikler kan føre til rust og tette ventiler etc.

Dette kan løses ved å bruke en smørende olje (noen få dråper), og kjøre maskinen i 5–10 sekunder for deretter å tørke av overflødig olje. **Gjør dette hver gang maskinen ikke skal brukes på en stund**

Smøring

Maskinen er utstyrt med et vinkelgir som er smurt med et halvveis flytende smørefett for å sikre god slitasjemotstand. For å unngå å fylle for mye, noe som kan resultere i temperaturøkning og skade på pakningene, er det ikke noen smørenippel. I stedet skal smørefettet skiftes ut etter om lag 200 arbeidstimer ved å ta ut vinkelgirspindelen.

For nøyaktige smøreegenskaper – bruk Urethyn GE00 halvveis flytende smørefett. Nødvendig mengde smørefett er maks. 7cm³.

ⓘ Bruk ikke kulelagerfett eller chassisfett.

Smøringsveiledning

Bruk smøremidler av god kvalitet. Oljen og smørefettet som står i smøretabellen, er eksempler på smøremidler som kan anbefales.

Merke	Generelt formål Retninger	Air lubrication
BP	Energrelse LS-EP2	Energol E46
Castrol	Speherol EP L2	
Esso	Beacon EP2	Arox EP46
Q8	Rembrandt EP2	Chopin 46
Mobil	Mobilegrease XHP 222	Almo oil 525
Shell	Alvania EP2	Tonna R32
Texaco	Multifak EP2	Aries 32
Molycote	BR2 Plus	

Vedlikehold

⚠ ADVARSEL Overhastighet kan lede til alvorlig skade eller død

- ▶ Dersom man bruker en hastighetsregulator, sørg for at rett regulator brukes. Uforsiktig behandling kan sette den ut av funksjon.
- ▶ Ikke demontert sikkerhetsdeler som hastighetsregulator eller overhastighetsvern. Disse delene må byttes helt dersom de skades
- ▶ Kontroller alltid tomgangen på maskinen etter vedlikehold. Se kapittelet *Forberedelser før bruk av sliperen*

Som forebyggende vedlikehold skal vinkelgiret etterfylles med fett etter ca. 200 timers drift. Se retningslinjene under *Smøring*.

Hele maskinen skal kontrolleres regelmessig, med 6 måneders mellomrom. Hvis den utsettes for tung bruk eller ikke fungerer ordentlig, skal den tas hyppigere ut av drift for inspeksjon.

Kontroller pakningsleppen og den tilliggende kolonnen for slitasje. Denne pakningen er avgjørende for å beholde smøringen i girboksen.

Filteret ved luftinntaket rengjøres regelmessig for å hindre tilstopping, noe som medfører lavere kapasitet.

- ① **Rengjør motordelene og påfør et tynt lag olje skovlene og de innvendige overflatene på sylindere samt på endeplatene. Monter motoren og kontroller at den går fritt. Hell to dråper olje gjennom luftinntaket og kjør motoren på tomgangshastighet i 5-10 sekunder.**

Nyttig informasjon

Du finner informasjon om alle Pro-produkter, ekstrautstyr, reservedeler, og publikasjoner på vår WEB-side!

 **Besøk på Internett: www.pro-powertools.com**

Tekniske data

Støy- og vibrasjonsemissjoner

Støy (i overensstemmelse med PN8NTC1.2)	dBA
Lydtrykknivå	75
Lydeffektnivå	-
Usikkerhet	Noise spread
	-
	volume

Totalverdi vibrasjon, gyldig fra 2010

(3-aksers verdi i overensstemmelse med Vibration according new - volume)

	m/s ²
Vibrasjonsverdi	Vibration value new - volume
Usikkerhet	Vibration spread new - volume

Vibrasjonsverdi, gyldig inntil 2009

(1-aksers verdi i overensstemmelse med EN/ISO 8662-8)

	m/s ²
Vibrasjonsverdi	<2.5

Erklæring om støy- og vibrasjonsdemping

Disse erklærte verdiene er fremkommet under laboratorietesting i samsvar med angitte standarder og er egnet for sammenligning med de erklærte verdiene for andre verktøy testet i samsvar med de samme standardene. Disse erklærte verdiene er ikke tilstrekkelige for bruk i risikovurderinger, og verdier målt på individuelle arbeidsplasser kan være høyere. De faktiske eksponeringsverdiene og risikoen ved fare som den enkelte bruker opplever, er unike og avhenger av måten brukeren arbeider, arbeidsemnet og utformingen av arbeidsplassen samt eksponeringstid og brukers fysiske tilstand.

Vi, Atlas Copco Tools AB, kan ikke holdes ansvarlig for følgene om de erklærte verdiene brukes i stedet for verdier som viser faktisk eksponering i en individuell risikovurdering i en arbeidssituasjon vi ikke har kontroll over.

Verktøyet kan forårsake hånd-/armvibrasjonssyndrom hvis bruken ikke håndteres på riktig måte. En EU-veiledning om styring av hånd-/armvibrasjon er å finne på <http://www.humanvibration.com/EU/VIBGUIDE.htm>

Vi anbefaler at bedriftshelsetjenesten gjennomfører et program for å avdekke tidlige tegn på vibrasjonseksponering, slik at prosedyrene kan endres for å bidra til å unngå fremtidig svekkelse.

Turvaohjeet

Tärkeitä tietoja laitteen käyttämiseksi turvallisesti

Näissä ohjeissa kerrotaan laitteen sekä siihen kiinnitettyjen työkalujen ja varusteiden asentamisesta, käyttämisestä ja kunnossapidosta.



- On tärkeää, että käyttäjä lukee ja ymmärtää nämä ohjeet ennen tämän laitteen käyttämistä.
- Säilytä ohjeet tulevaa käyttöä varten. Varmista, että ne ovat käyttäjän käytettävissä.
- Ohjeiden noudattamatta jättäminen saattaa johtaa vakavaan vaaraan.

Tavoitteemme on valmistaa työkaluja, jotka auttavat työskentelemään turvallisesti ja tehokkaasti

Tämän ja minkä tahansa muun laitteen tärkein turvallisuustekijä on SEN KÄYTTÄJÄ.

Huolellisuutesi ja arviointikykyysi ovat paras suoja loukkaantumisista vastaan.

Tähän laitteeseen ei saa tehdä mitään muutoksia. Muutoin valmistajan vastuu päättyy ja turvallisuus heikkenee. Vain koulutetut pätevät käyttäjät saavat asentaa tämän laitteen tai säätää tai käyttää sitä.

Näissä ohjeissa ei voida käsitellä kaikkia vaaratilanteita, joten niissä keskitytään merkittävimpiin niistä. Saat lisätietoja turvallisuudesta

- muista tämän laitteen kanssa toimitetuista asiakirjoista ja tiedoista
- työnantajaltasi, luottamusmieheltä tai ammattiliitosta.
- Standardeista on lisätietoja osassa *EU-yhdenmukaisuusilmoitus*.

Työturvallisuudesta ja -terveydestä on lisätietoja seuraavissa sivustoissa:

<http://www.osha.gov> (Yhdysvallat)

<http://europe.osha.eu.int> (Eurooppa)

Turvallisuuteen liittyvät sanat

Turvallisuutta kuvaavat sanat "vaara", "varoitus" ja "huomautus" tarkoittavat seuraavaa:

VAARA	Ilmaisee, että jos vaaratilannetta ei vältetä, aiheutuu kuolema tai vakava loukkaantuminen.
VAROITUS	Ilmaisee, että jos vaaratilannetta ei vältetä, voi aiheutua kuolema tai vakava loukkaantuminen.
HUOMIO	Tarkoittaa mahdollista vaaratilannetta. Ellei tilannetta vältetä, saattaa aiheutua lievä tai keskinkertainen loukkaantuminen.

Henkilökohtaiset varotoimet ja vaatimukset

Asentaminen, varastoiminen, kunnossapito ja hävittäminen

Tämän laitteen saavat asentaa, varastoida, pitää kunnossa ja hävittää vain henkilöt, jotka

- ovat fyysisesti kyvykkäitä käsittelemään laitteen massaa, painoa ja tehoa
- tuntevat kaikki tarvittavat kansalliset turvamääräykset ja ohjeet onnettomuuksien estämiseksi
- ovat lukeneet ja ymmärtäneet nämä käyttöohjeet.

Käyttäminen

Vain pätevät henkilöt saavat käyttää tätä laitetta.

Käyttäjät ovat päteviä, jos he

- ovat fyysisesti kyvykkäitä käsittelemään laitteen massaa, painoa ja tehoa
- ovat saaneet tämän laitteen käyttökoulutuksen kansallisten ohjeiden mukaisesti
- tuntevat kaikki tarvittavat kansalliset turvamääräykset ja ohjeet onnettomuuksien estämiseksi
- ovat lukeneet ja ymmärtäneet nämä käyttöohjeet.

Henkilösuojaruusteet

⚠ VAROITUS Kiinni tarttumisen vaara

- ▶ Älä käytä koruja tai löysiä vaatteita.
- ▶ Pidä kaulus poissa laitteen ja sen varusteiden läheltä tukehtumisvaaran estämiseksi.
- ▶ Pidä hiukset poissa laitteen ja sen varusteiden läheltä tarttumisvaaran estämiseksi.

Henkilösuojaruusteiden on täytettävä tarvittavat terveys- ja turvallisuusvaatimukset.

Käytä aina seuraavia henkilösuojaruusteita:

- Turvakypäri
- Kuulosuojaimet
- Myös sivulta suojaavat turvalasit
- Suojakäsineet
- Turvajalkineet

Huumeet, alkoholi ja lääkkeet

Huumeet, alkoholi ja lääkkeet voivat heikentää harkinta- ja keskittymiskykyä.

⚠ VAROITUS Puutteellinen reaktiokyky ja virhearviot voivat aiheuttaa vakavia onnettomuuksia tai kuoleman.

- ▶ Älä käytä laitetta alkoholin, lääkkeiden tai huumeiden vaikutuksen alaisena.
- ▶ Estä muita henkilöitä käyttämästä laitetta alkoholin, lääkkeiden tai huumeiden vaikutuksen alaisena.

Asentaminen, käyttäminen ja kunnossapito: varotoimet

⚠ VAROITUS Räjähdeet ja räjähtävät kaasut, räjähdysvaara

Jos laite joutuu kosketuksiin räjähdysaineiden kanssa, voi aiheutua räjähdys. Se voi aiheuttaa vakavan loukkaantumisen tai kuoleman.

Laitetta käytettäessä voi lentää kipinöitä. Ne voivat sytyttää helposti syttyvän pölyn ja aiheuttaa tulipalon tai räjähdyksen.

- ▶ Älä koskaan käytä tätä laitetta lähellä räjähteitä.
- ▶ Älä koskaan työskentele helposti syttyvässä tai räjähdysherkässä ympäristössä.
- ▶ Varmista, että työskentelyalueella ei ole piileviä kaasulähteitä.

⚠ VAROITUS Sähköisku

Jos laite joutuu kosketuksiin sähköisten piirien tai muiden virtalähteiden kanssa, aiheutuu vakavan loukkaantumisen tai kuoleman vaara.

- ▶ Älä koskaan työskentele lähellä sähköisiä piirejä tai virtalähteitä.
- ▶ Varmista, että työskentelyalueella ei ole piileviä virtapiirejä.

⚠ VAROITUS Pölyvaara

Jotkut hiottaessa, sahattaessa, porattaessa ja muita rakennustöitä tehtäessä syntyvät pölyhiukkaset sisältävät kemikaaleja, jotka Kalifornian osavaltion mukaan aiheuttavat syöpää, vastasyntyneiden epämuodostumia ja lisääntymisongelmia. Esimerkkejä tällaisista kemikaaleista:

Tiilistä, sementistä ja muista muurausaineista lähtevät piikiteet

Kemiallisesti käsitellystä puutavarasta peräisin oleva arsenikki ja kromi

Lyijymaaleista lähtevä lyijy

- ▶ Voit vähentää altistumista näille kemikaaleille työskentelemällä hyvin tuuletetussa paikassa ja käyttämällä hyväksytyjä suojavälineitä, esimerkiksi pölysuojaimia, jotka on suunniteltu suodattamaan pois mikroskooppisen pienet hiukkaset.
- ▶ Vältä hengittämästä pölyä tai käsittelemästä terveydelle haitallisia rakennusjätteitä.
- ▶ Käytä pölynpoistoa, esimerkiksi pisteimulaitteita, ja hengityssuojainta, kun työstettävistä materiaaleista irtoaa ilmaan hiukkasia.
- ▶ Hiomisesta syntyvä pöly ja kaasut voivat aiheuttaa räjähdysvaaran. Käytä aina työstettäville materiaaleille soveliaita pölynpoistomenetelmiä.

⚠ VAROITUS Sinkoavat esineet

Hiottaessa, sahattaessa, porattaessa ja muissa rakennustöissä syntyvät kipinät, lastut ja pyöränkappaleet voivat aiheuttaa henkilövahinkoja singotessaan päin käyttäjää tai muita henkilöitä.

Pienetkin kappaleet voivat vaurioittaa silmiä ja aiheuttaa sokeuden.

- ▶ Käytä aina turvalaseja ja kasvosuojusta käyttäessäsi, korjatessasi tai huoltaessasi työkalua tai vaihtaessa siihen varusteita.
- ▶ Suojaa muut henkilöt pyöränkappaleilta ja hiontakipinöiltä.
- ▶ Varmista, että muut samalla alueella olevat käyttävät kestäviä turvalaseja ja kasvosuojuksia.

⚠ VAROITUS Meluvaara

Kovat äänet voivat aiheuttaa pysyviä kuulovaurioita.

- ▶ Suojaa kuulosi työterveys- ja turvallisuusohjeilla mainitulla tavalla.

⚠ VAROITUS Tärinävaara

Tärinälle altistuminen voi vahingoittaa hermoja sekä haitata verenkiertoa käsissä ja käsivarsissa.

- ▶ Yksitoikkoiset liikkeet, huono työasento ja altistuminen tärinälle voivat olla haitallisia käsille ja käsivarsille. Jos havaitset tunnottomuutta, pistelyä, kipua tai ihon kalpenemista, lopeta työkalun käyttäminen ja ota yhteys lääkäriin.
- ▶ Jos lisästyökalun varsi on taipunut, sitä ei saa käyttää.
- ▶ Käytä tärinävaimennettuja työkaluja, jos mahdollista.
- ▶ Lyhennä tärinälle altistumisen kestoa mahdollisimman paljon.

Yleiset tiedot

Rakenne ja toiminta -kohdassa.

Tämä hiomakone on tarkoitettu vain hioville tuotteille ja backing-laitteille. Tässä mallissa on voitelu. Konetta varusteineen ja lisälaitteineen ei saa koskaan käyttää mihinkään muuhun kuin sille suunniteltuun tarkoitukseen. Muunlainen käyttö on kielletty.

- Älä koskaan käytä hioma- tai katkaisulaikkoja hiomakoneessa ilman laikkasuojaa
- Älä koskaan kiinnitä pyörösahanteriä tai muita katkaisutyökaluja, joita ei ole tarkoitettu tälle työkalulle

Kilvet ja tarrat

Tässä koneessa on käyttöturvallisuuden kannalta tärkeät turva- ja huoltotarrat sekä -kilvet. Tarrojen

ja kilpien on oltava aina luettavissa. Uusia tarroja ja kilpiä voi tilata varaosaluettelon avulla.



EY-YHDENMUKAISUUDEN VAKUUTUS

Me, Atlas Copco Tools AB, S-105 23 TUKHOLMA RUOTSI, vakuutamme ja hyväksymme itse vastuun siitä, että tuotteemme (katso tyyppi- ja sarjanumero etusivulta) ja tuotteemme ja lisävarusteidemme yhdistelmät, joihin tämä vakuutus liittyy, on/ovat asianmukais(t)en standardi(en) mukainen/mukaisia:

EN 792-8

ja seuraavan direktiivien/seuraavien direktiivien mukaisia:

2006/42/EC

Tukholma, 29 päivästä joulukuuta 2009

Lennart Remnebäck, toimitusjohtaja

Ilmoittajan allekirjoitus

Asentaminen

Ilmanlaatu

- On suositeltavaa käyttää paineilmaa, jonka kosteuspiste on välillä +2 - 10 °C. Se varmistaa parhaan suorituskyvyn ja pidentää laitteen käyttöikää. On suositeltavaa asentaa Atlas Copcon jäähdyttävä ilmankuivain.
- Erillisen Atlas Copco FIL -tyyppisen ilmansuodattimen käyttäminen poistaa yli 15 mikronin kokoiset kiinteät hiukkaset ja yli 90 % nestemäisestä vedestä, kun se asennetaan mahdollisimman lähelle laitetta ennen muuta esimerkiksi REG- tai DIM-tyyppistä ilmanvalmistelulaitetta. Ilmansyöttöön asennettavista laitteista on lisätietoja pääkuvastossamme. Puhdista letkut puhaltamalla ennen niiden yhdistämistä.

Voidellut mallit:

- Paineilman on sisällettävä pieni määrä öljyä. On suositeltava asentaa Atlas Copcon DIM-öljysumuvoitelulaite ja asettaa se lisäämään 3–4 pisaraa (50 mm³) minuutissa, jos laitetta käytetään pitkään, tai Atlas Copcon yksipistetyyppinen Dosol-voitelulaite, jos laitteen käyttöjaksot jäävät lyhyiksi.

Dosol-laitteen asetuksista on lisätietoja pääkuvastomme ilmansyöttölaitteista kertovassa osassa.

Paineilmaliitäntä

⚠ VAROITUS Paineilma voi aiheuttaa vakavia vammoja.

- ▶ Sulje aina ilmansyöttö, poista paine putkistosta ja irrota työkalu ilmansyötöstä, kun sitä ei käytetä, tehtäessä korjaustöitä tai ennen muutosten tekemistä laitteeseen, esimerkiksi varusteiden vaihtamista.
- ▶ Älä koskaan suuntaa ilmaa itseesi tai muuhun henkilöön.

⚠ VAROITUS Hallitsemattomasti liikkuvat letkut voivat aiheuttaa vakavia vammoja.

- ▶ Tarkista, että letkut ja liitokset ovat ehjiä ja tiukasti kiinni.

Tarkista ilmanpaine.

- Tämä laite on tarkoitettu (e) 6–7 baarin eli 600–700 kPan eli 87–102 psig:n käyttöpaineelle.
- Kun laite on käynnistä, siihen syötettävän ilman paine ei saa ylittää 7 baaria eli 700 kPa eli 102 psig
- Puhdista letkut puhaltamalla ennen niiden yhdistämistä.

Käyttäminen

Lisätietoja on *huolto-ohjeissa*.

Valmistelut ennen hiomakoneen käyttämistä

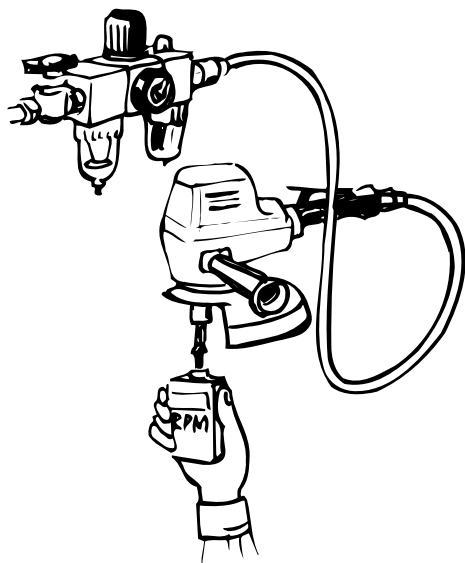
Hiomalaitteen käyttäminen oikein

⚠ VAROITUS Liian suuri nopeus voi aiheuttaa vakavan loukkaantumisen tai kuoleman.

- ▶ Laitteeseen merkittyä suurinta nopeutta ei saa ylittää.

Vain pätevät teknikot saavat testata hiomalaitteen. Heillä on oltava valtuudet testata tällaisia työkaluja ja käyttää pneumaattista järjestelmää kansallisten määräysten mukaisesti.

- Laitteen kuormittamaton nopeus on tarkistettava joka päivä ja aina huoltamisen jälkeen. Tämä tarkistus on tehtävä hiomaosa irrotettuna.



- Ylinopeutta mahdollisesti aiheuttavaa liian suurta ilmanpainetta on vältettävä painesäätimen avulla.
- Liitäntöjen ja ilmaletkun on oltava hyvässä kunnossa.

Asennettu hiova laite

⚠ VAROITUS Paineilma voi aiheuttaa vakavia vammoja.

- ▶ Sulje aina ilmansyöttö, poista paine putkistosta ja irrota työkalu ilmansyötöstä, kun sitä ei käytetä, tehtäessä korjaustöitä tai ennen muutosten tekemistä laitteeseen, esimerkiksi varusteiden vaihtamista.

⚠ VAROITUS Väärin asennettu hiomalaikka voi puhjeta ja aiheuttaa vakavan vamman tai kuoleman.

- ▶ Käytä hiomalaikkaa sallitulla nopeudella, joka on suurempi tai sama kuin paineilmatoimisen hiomalaitteen nopeus
- ▶ Käytä vain valmistajan suosittelemaan työkalua, jossa ei ole leikkaavia pyöriä tai teriä. Lisätietoja on *Rakenne ja toiminta -kohdassa*.
- Käytä vain kooltaan ja tyyppiltään suositeltuja hiovia osia.
- Älä käytä halkeilleita tai pudonneita asennuspyöriä.
- Ne on asennettava oikein, jotta särkyneet pyörät eivät aiheuta loukkaantumisia.
- Käytä vain pinnoitettuja hiekkahiomalaikkoja tai -levyjä paineilmatoimisen hiomakoneen kanssa. Varmista, että itsekiinnittyvät hiomalaikat asennetaan keskitetysti

Hiomakoneen käyttäminen oikein

Lue *turvallisuusohjeet* ennen hiomakoneen käyttämistä.



⚠ VAROITUS Ohjeiden noudattamatta jättäminen saattaa aiheuttaa vakavia vammoja tai kuoleman.

- ▶ Jos työkalu on suunniteltu käytettäväksi suojan kanssa, suojan tulee olla paikallaan, jotta hiomatahna tai muu lika ei aiheuta ongelmia.
- ▶ Varmista, että työstettävä kappale on tuettu oikein.
- ▶ Varmista, että kipinät eivät vaaranna ihmisiä tai materiaaleja.
- ▶ Jos työkalua käytetään muovin tai muun sähköä johtamattoman aineen päällä, on olemassa staattisen sähkön muodostumisen vaara.
- ▶ Henkilösuojavarusteita on käytettävä luvussa *Henkilösuojavarusteet kuvatulla tavalla*.
- ▶ Liukastuminen, kaatuminen tai putoaminen on merkittävä vakavien onnettomuuksien tai kuolemantapausten syy. Varo lattialle jätettyä liian pitkää letkua.
- ▶ Toimi vieraisissa paikoissa varovaisesti. Esimerkiksi piilossa olevat sähköjohdot voivat aiheuttaa vaaran.
- ▶ Pidä asento tasapainoisena ja jalansija vakaana.
- ▶ Jos väärin asennettu tai vaurioitunut työkalu aiheuttaa tärinää, reagoi nopeasti.
- ▶ Pysy loitolla pyörivästä karasta ja hankausmateriaaleista. Pyörimisliike voi jatkua useita sekunteja sen jälkeen kun ilmansyöttö on katkaistu. Älä laske työkalua kädestäsi ennen pyörimisliikkeen pysähtymistä.
- ▶ Huomaa, että letkuun jäänyt paineilma voi aiheuttaa tahattoman käynnistymisen.
- ▶ Jos energiansyöttöön tulee vika, vapauta hallintalaite.

Huolto

Ruostesuojaus ja sisäosien puhdistaminen

Paineilman sisältämä vesi, pöly ja kulumisen myötä irronneet hiukkaset aiheuttavat ruostetta ja tukoksia esimerkiksi siipiin ja venttiileihin.

Nämä ongelmat voidaan ratkaista voitelemalla muutamalla öljytipalla, antamalla laitteen käydä 5 - 10 sekuntia ja pyyhkimällä ylimääräinen öljy pois kankaalla. **Tee tämä ennen kuin laite jää pitkäksi ajaksi käyttämättä.**

Voitelu

Koneessa on kulmavaihte, joka on voideltu puolinestemäisellä rasvalla hyvän kulutuskestävyyden varmistamiseksi. Jotta voidaan välttää ylitäyttö joka voisi johtaa lämpötilan kohoamiseen ja tiivisteiden vaurioitumiseen, voitelunippaa ei ole. Sen sijaan rasva tulisi vaihtaa noin 200 käyttötunnin jälkeen irrottamalla kulmavaihteen kara.

Jotta voiteluominaisuudet olisivat oikeat, käytä puolinestemäistä rasvatyyppiä Urethyn GE00. Rasvan enimmäismäärä on 7cm³.

ⓘ Älä käytä kuulalaakerirasvaa tai alustarasvaa.

Voiteluohje

Käytä hyvälaatuisia voiteluaineita. On suositeltavaa käyttää voitelutaulukossa mainittuja öljyjä ja rasvoja.

Merkki	Yleiskäyttöinen Laakerit	Ilmavoitelu
BP	Energrease LS-EP2	Energol E46
Castrol	Spheerol EP L2	
Esso	Beacon EP2	Arox EP46
Q8	Rembrandt EP2	Chopin 46
Mobil	Mobilegrease XHP 222	Almo oil 525
Shell	Alvania EP2	Tonna R32
Texaco	Multifak EP2	Aries 32
Molycote	BR2 Plus	

Perushuolto

⚠ VAROITUS Liian suuri nopeus voi aiheuttaa vakavan loukkaantumisen tai kuoleman.

- ▶ Jos käytetään säädintä, tarkista, että se on koottu oikein. Huolimaton käsittely voi rikkoa sen.
- ▶ Älä pura turvallisuuteen vaikuttavia osia, kuten nopeussäädin tai ylinopeuskatkaisin. Jos nämä osat vaurioituvat, ne on vaihdettava.
- ▶ Tarkista aina laitteen vapaa nopeus huollon jälkeen. Lisätietoja on *Valmistelut ennen hiomakoneen käyttämistä*

Ennakoivaan huoltoon kuuluu kulmavaihteen rasvan vaihto aina noin 200 tunnin käytön jälkeen. Katso ohjeet kohdasta *Voitelu*.

Koko laite on tarkastettava säännöllisesti kuuden kuukauden välein. Jos se on raskaassa käytössä tai ei toimi kunnolla, se on tarkastettava ja huollettava useammin.

Tarkista tiivistehuullos ja viereinen tolppa kulumisen varalta. Tiiviste on tärkeä, koska se pitää voiteluaineen vaihdelaatikossa.

Ilmanoton suodatin on puhdistettava säännöllisesti, jotta lika ei tuki sitä, jolloin kapasiteetti heikkenee.

ⓘ Puhdista moottorin osat ja levitä ohut kerros paineilmavoiteluöljyä siipipyöriin ja sylinterin sekä päätylevyjen sisäpintaan. Kokoa moottori ja tarkista, että liikkuu vapaasti. Lisää kaksi pisaraa öljyä ilma-aukon kautta ja anna moottorin käydä tyhjäkäyntinopeudella 5 - 10 sekunnin ajan.

Hyödyllistä tietoa

Saat kaikenlaista tietoa Pro työkalutuotteista, lisävarusteista, varaosista ja julkaisuista omilta verkkosivuiltamme!!

 Kirjautu sivuille www.pro-powertools.com

Tekniset tiedot

Melu- ja värinäpäästöt

Melu (seuraavan standardin mukaisesti: PN8NTC1.2) dBA	
Äänenpainetaso	75
Äänitehotaso	-
Epävarmuus	Noise spread
	-
	volume

Kokonaistärinäarvo, voimassa 2010 lähtien (kolmen akselin arvo seuraavan standardin mukaan: Vibration according new - volume) m/s ²	
Tärinäarvo	Vibration value new - volume
Epävarmuus	Vibration spread new - volume

Tärinäarvo, voimassa 2009 asti (yhden akselin arvo seuraavan standardin mukaan: EN/ISO 8662-8) m/s ²	
Tärinäarvo	<2.5

Melu- ja värinädirektiivin selonteko

Nämä ilmoitetut arvot saatiin laboratoriotyypisissä testeissä mainittujen standardien mukaisesti. Arvot soveltuvat vertailuun toisten testattujen työkalujen vastaavien arvojen kanssa, kun testaus on tehty samojen standardien puitteissa. Ilmoitetut arvot eivät ole riittäviä riskianalyysien tekemiseen, ja yksittäisistä työpisteistä mitatut arvot saattavat olla tässä ilmoitettuja arvoja korkeampia. Hetkelliset altistusarvot ja yksittäisen käyttäjän vahingoittumisriski ovat ainutkertaisia ja ne riippuvat siitä, miten käyttäjä työskentelee, mitä hän työstää, miten työpiste on suunniteltu, miten pitkään hän altistuu ja siitä, millaisessa fyysisessä kunnossa käyttäjä on.

Me, **Atlas Copco Tools AB**, emme voi ottaa vastuuta, mikäli ilmoitettuja arvoja käytetään todellista ja senhetkistä altistumista mittaavien arvojen sijaan, tai mikäli arvoja käytetään riskien arvioimiseen työtilanteessa, jonka olosuhteisiin emme voi vaikuttaa.

Tämä työkalu saattaa aiheuttaa käden ja käsivarren HAV-oireyhtymän ellei sitä käytetä ohjeiden mukaisesti. EU-ohje HAV-oireyhtymän käsittelemiseksi löytyy osoitteesta <http://www.humanvibration.com/EU/VIBGUIDE.htm>

Suositamme säännöllisiä terveystarkastuksia värinäaltistuksen aiheuttamien, värinäsairauteen viittaavien oireiden havaitsemiseksi ajoissa, jotta työnohjauksella ja työympäristöön vaikuttavilla toimilla voidaan estää oireiden paheneminen tulevaisuudessa.

Τεχνικά δεδομένα

Σημαντικές πληροφορίες για ασφαλή χρήση

Αυτές οι οδηγίες αφορούν την εγκατάσταση, τη λειτουργία, το χειρισμό και τη συντήρηση του προϊόντος και των εισαχθέντων/εγκατεστημένων εργαλείων και εξοπλισμών.



- Ο χειριστής πρέπει οπωσδήποτε να διαβάσει και να κατανοήσει πλήρως τις οδηγίες, πριν από τη χρήση αυτού του προϊόντος
- Φυλάξτε τις οδηγίες για μελλοντική παραπομπή και σιγουρευτείτε ότι ο χειριστής έχει πλήρη πρόσβαση σε αυτές
- Η μη συμμόρφωση προς τις οδηγίες χρήσης εγκυμονεί σοβαρούς κινδύνους

Ο στόχος μας είναι να παράγουμε εργαλεία που σας βοηθούν να εργάζεστε με ασφάλεια και αποδοτικότητα.

Ο πιο σημαντικός παράγοντας ασφάλειας για αυτό και για οποιοδήποτε εργαλείο είστε ΕΣΕΙΣ.

Η προσοχή και η καλή κρίση σας είναι η καλύτερη προστασία από τραυματισμούς.

Δεν πρέπει να τροποποιείτε αυτό το μηχανοκίνητο εργαλείο, για λόγους αξιοπιστίας και ασφάλειας. Αυτό το εργαλείο πρέπει να εγκαθίσταται, να ρυθμίζεται και να χρησιμοποιείται μόνο από εξειδικευμένους και εκπαιδευμένους χειριστές.

Δεν είναι εφικτό να αναφερθούν όλοι οι πιθανοί κίνδυνοι σε αυτές τις οδηγίες, αλλά επισημαίνονται ορισμένοι από τους σημαντικότερους. Για επιπρόσθετες πληροφορίες σχετικά με την ασφάλεια συμβουλευθείτε:

- Άλλα έγγραφα και πληροφορίες που συνοδεύουν αυτό το εργαλείο
- Τον εργοδότη σας, το σωματείο σας ή/και τον επαγγελματικό σας σύλλογο
- Κατάλληλα πρότυπα, όπως αυτά αναφέρονται στην Παράγραφο *Δήλωση Συμμόρφωσης ΕΚ*

Μπορείτε να λάβετε περισσότερες πληροφορίες σχετικά με την ασφάλεια και την υγιεινή στην εργασία από τις ακόλουθες ιστοσελίδες:

<http://www.osha.gov> (USA)

<http://europe.osha.eu.int> (Europe)

Προειδοποιητικές λέξεις

Οι προειδοποιητικές λέξεις Κίνδυνος, Προειδοποίηση και Προσοχή έχουν την ακόλουθη σημασία:

KINΔYNOΣ	Υποδεικνύει μια επικίνδυνη κατάσταση η οποία, αν δεν αποφευχθεί, θα οδηγήσει σε σοβαρό τραυματισμό ή θάνατο.
ΠΡΟΕΙΔΟΠΟΙΗΣΗ	Υποδεικνύει μια επικίνδυνη κατάσταση η οποία, αν δεν αποφευχθεί, ενδέχεται να οδηγήσει σε σοβαρό τραυματισμό ή θάνατο.
ΠΡΟΣΟΧΗ	Υποδεικνύει μια επικίνδυνη κατάσταση η οποία, αν δεν αποφευχθεί, ενδέχεται να οδηγήσει σε ελαφρύ ή μέτριο τραυματισμό.

Προσωπικές προφυλάξεις και προϋποθέσεις

Εγκατάσταση, αποθήκευση, συντήρηση και διάθεση

Η εγκατάσταση, η αποθήκευση, η συντήρηση και η διάθεση αυτού του προϊόντος πρέπει να πραγματοποιούνται από άτομα που:

- έχουν τα σωματικά προσόντα να χειριστούν τον όγκο, το βάρος και τη δύναμη αυτού του εργαλείου
- έχουν επίγνωση όλων των σχετικών εθνικών οδηγιών ασφάλειας και πρόληψης ατυχημάτων
- έχουν διαβάσει και κατανοήσει τις οδηγίες χρήσης

Λειτουργία

Η λειτουργία αυτού του προϊόντος πρέπει να εκτελείται μόνο από εξειδικευμένους χειριστές. Εξειδικευμένοι θεωρούνται οι χειριστές όταν:

- έχουν τα σωματικά προσόντα να χειριστούν τον όγκο, το βάρος και τη δύναμη αυτού του εργαλείου
- έχουν εκπαιδευτεί για τη λειτουργία του προϊόντος σε συμμόρφωση προς τις εθνικές οδηγίες
- έχουν επίγνωση όλων των σχετικών εθνικών οδηγιών ασφάλειας και πρόληψης ατυχημάτων
- έχουν διαβάσει και κατανοήσει τις οδηγίες χρήσης

Εξοπλισμός προσωπικής προστασίας

⚠ ΠΡΟΕΙΔΟΠΟΙΗΣΗ Κίνδυνος εμπλοκής

- ▶ Μην φοράτε κοσμήματα και χαλαρό ρουχισμό
- ▶ Μην φοράτε ρουχισμό λαιμού όταν λειτουργείτε το εργαλείο και τα εξαρτήματά του για την αποφυγή πνιγμού
- ▶ Κρατήστε το εργαλείο και τα εξαρτήματά του μακριά από τα μαλλιά σας για την αποφυγή εμπλοκής

Ο εξοπλισμός προσωπικής προστασίας θα πρέπει να συμμορφώνεται προς τους ισχύοντες κανονισμούς υγιεινής και ασφάλειας.

Φοράτε πάντα τον ακόλουθο εξοπλισμό προσωπικής προστασίας:

- Κράνος ασφαλείας

- Ωτοασπίδες
- Προστατευτικά γυαλιά με πλευρική προστασία
- Προστατευτικά γάντια
- Προστατευτικά υποδήματα

Ναρκωτικά, αλκοόλ και φάρμακα

Τα ναρκωτικά, το αλκοόλ και ορισμένα φάρμακα μπορούν να επηρεάσουν την κρίση σας και την ικανότητά σας για συγκέντρωση.

⚠ ΠΡΟΕΙΔΟΠΟΙΗΣΗ Τα μειωμένα αντανακλαστικά και οι λανθασμένες εκτιμήσεις μπορούν να οδηγήσουν σε σοβαρά ατυχήματα ή σε θάνατο

- ▶ Ποτέ μην λειτουργείτε το προϊόν όταν βρίσκεστε υπό την επήρεια ναρκωτικών, αλκοόλ ή φαρμακευτικής αγωγής
- ▶ Μην αφήνετε άλλα άτομα να χρησιμοποιούν αυτό το προϊόν, όταν βρίσκονται υπό την επήρεια ναρκωτικών, αλκοόλ ή φαρμακευτικής αγωγής

Εγκατάσταση, Λειτουργία και Συντήρηση: προφυλάξεις

⚠ ΠΡΟΕΙΔΟΠΟΙΗΣΗ Εκρηκτικές ύλες και εκρηκτικά αέρια, κίνδυνος έκρηξης

Εάν το προϊόν έρθει σε επαφή με εκρηκτικές ύλες, ενδέχεται να σημειωθεί έκρηξη. Οι εκρήξεις μπορούν να προκαλέσουν σοβαρούς τραυματισμούς ή θάνατο.

Κατά τη λειτουργία του προϊόντος μπορούν να εκτοξευθούν σπίθες οι οποίες δύνανται να προκαλέσουν την ανάφλεξη πολύ εύφλεκτων κόνεων και αερίων και να προκαλέσουν φωτιά ή έκρηξη.

- ▶ Ποτέ μην λειτουργείτε αυτό το προϊόν κοντά σε εκρηκτικές ύλες
- ▶ Μην εργάζεστε ποτέ σε πολύ εύφλεκτο ή εκρηκτικό περιβάλλον
- ▶ Βεβαιωθείτε ότι δεν υπάρχουν κρυφές πηγές αερίων στην περιοχή εργασίας σας

⚠ ΠΡΟΕΙΔΟΠΟΙΗΣΗ Ηλεκτροπληξία

Υπάρχει κίνδυνος σοβαρού τραυματισμού ή θανάτου, εάν το προϊόν έρθει σε επαφή με ηλεκτρικά κυκλώματα ή άλλες πηγές ηλεκτρικής ενέργειας.

- ▶ Μην εργάζεστε ποτέ κοντά σε ηλεκτρικά κυκλώματα ή άλλες πηγές ηλεκτρικής ενέργειας
- ▶ Βεβαιωθείτε ότι δεν υπάρχουν κρυφά ηλεκτρικά κυκλώματα στην περιοχή εργασίας σας

⚠ ΠΡΟΕΙΔΟΠΟΙΗΣΗ Κίνδυνος από σκόνη

Κάποιες σκόνες, ατμοί ή άλλα αερομεταφερόμενα υλικά, τα οποία παράγονται κατά τη μηχανοκίνητη εκτριβή, πριόνιση, λείανση, διάτρηση και άλλες κατασκευαστικές δραστηριότητες, περιέχουν χημικές ουσίες οι οποίες προκαλούν καρκίνο και γενετικές ανωμαλίες ή άλλες αναπαραγωγικές βλάβες.

Ορισμένα παραδείγματα αυτών των χημικών ουσιών είναι:

Κρυσταλλικό πυριτικό και τσιμέντο και άλλα οικοδομικά υλικά.

Αρσενικό και χρώμιο από χημικά επεξεργασμένο καουτσούκ.

Μόλυβδος από βαφές με βάση το μόλυβδο.

- ▶ Για να περιορίσετε την έκθεσή σας σε αυτές τις χημικές ουσίες θα πρέπει να εργάζεστε σε καλά αεριζόμενο χώρο, χρησιμοποιώντας εγκεκριμένο εξοπλισμό ασφάλειας, όπως είναι οι μάσκες σκόνης, ειδικά σχεδιασμένες να συγκρατούν τα μικροσκοπικά σωματίδια
- ▶ Μην εισπνέετε τη σκόνη ή τα σωματίδια που παράγονται κατά την εργασία, τα οποία μπορούν να είναι επιβλαβή για την υγεία σας
- ▶ Χρησιμοποιήστε εξοπλισμό απομάκρυνσης της σκόνης, π.χ. εξοπλισμό επιτόπιας αναρρόφησης και φοράτε εξοπλισμό αναπνευστικής προστασίας όταν εργάζεστε με υλικά τα οποία παράγουν σωματίδια που μεταφέρονται με τον αέρα
- ▶ Ενδέχεται να δημιουργηθούν εκρηκτικές ατμόσφαιρες από τη σκόνη και τους ατμούς που παράγονται από την εκτριβή ή τη λείανση. Χρησιμοποιείτε πάντα συστήματα απομάκρυνσης ή καταστολής της σκόνης, κατάλληλα για τα υλικά που επεξεργάζεστε

⚠ ΠΡΟΕΙΔΟΠΟΙΗΣΗ Εκτοξευόμενα σωματίδια

Κατά τη μηχανοκίνητη εκτριβή, πριόνιση, λείανση, διάτρηση και άλλες κατασκευαστικές δραστηριότητες είναι δυνατόν να εκτοξευθούν σπίθες, θραύσματα ή άλλα σωματίδια, τα οποία μπορούν να προκαλέσουν τραυματισμούς εάν χτυπήσουν τον χειριστή ή άλλα άτομα.

Ακόμα και πολύ μικρά εκτοξευόμενα θραύσματα μπορούν να τραυματίσουν τα μάτια σας και να προκαλέσουν τύφλωση.

- ▶ Φοράτε πάντα κατάλληλο εξοπλισμό προστασίας των ματιών και του προσώπου όταν εργάζεστε στην περιοχή λειτουργίας, επιδιόρθωσης ή συντήρησης του εργαλείου ή αντικατάστασης εξαρτημάτων του εργαλείου
- ▶ Χρησιμοποιείτε προστατευτικά διαχωριστικά, για να προστατεύσετε τους άλλους από εκτοξευόμενα θραύσματα και σπίθες που παράγονται κατά τη λείανση
- ▶ Βεβαιωθείτε ότι όλα τα άτομα που βρίσκονται στην περιοχή φορούν κατάλληλο εξοπλισμό προστασίας των ματιών και του προσώπου

⚠ ΠΡΟΕΙΔΟΠΟΙΗΣΗ Κίνδυνος από θόρυβο

Τα υψηλά επίπεδα θορύβου μπορούν να προκαλέσουν μόνιμη απώλεια ακοής.

- ▶ Φοράτε ωτοασπίδες οι οποίες είναι σε συμμόρφωση προς τους κανονισμούς ασφάλειας και υγιεινής στην εργασία

⚠ ΠΡΟΕΙΔΟΠΟΙΗΣΗ Κίνδυνος από τις δονήσεις

Η έκθεση σε δονήσεις μπορεί να προκαλέσει βλάβες στο νευρικό σύστημα και στην παροχή αίματος στα χέρια και τα μπράτσα.

- ▶ Οι επαναλαμβανόμενες κινήσεις κατά την εργασία, οι άβολες στάσεις και η έκθεση σε δονήσεις μπορεί να είναι επιβλαβείς για τα χέρια και τα μπράτσα. Εάν παρατηρήσετε μούδιασμα, μυρμήγκιασμα, πόνο ή χλωμάδα του δέρματος, σταματήστε τη χρήση του εργαλείου και συμβουλευθείτε έναν γιατρό
- ▶ Δεν θα πρέπει να χρησιμοποιούνται εργαλεία εισαγωγής με κυρτή άκρη
- ▶ Χρησιμοποιείτε εργαλεία με καταστολή της δόνησης όταν είναι διαθέσιμα
- ▶ Ελαχιστοποιήστε το χρόνο έκθεσης στη δόνηση

Γενικές πληροφορίες

Σχεδιασμός και λειτουργία

Αυτό το τριβείο προορίζεται για προϊόντα λείανσης και εξοπλισμό ενίσχυσης μόνο. Αυτό το μοντέλο έχει λιπανθεί. Η μηχανή και τα προσαρτημένα της εξαρτήματα θα πρέπει να χρησιμοποιούνται μόνο για τον σκοπό για τον οποίο προορίζονται, κάθε άλλη χρήση απαγορεύεται.

- Ποτέ μην χρησιμοποιείτε τροχούς λείανσης ή αποκοπής σε τριβείο χωρίς την προστατευτική διάταξη τροχού
- Ποτέ μην συνδέετε κυκλικές πριονωτές λεπίδες ή άλλα εργαλεία κοπής εκτός από αυτά που προβλέπονται για το εργαλείο

Σήματα και αυτοκόλλητες ετικέτες

Στο μηχάνημα υπάρχουν σήματα και αυτοκόλλητες ετικέτες που περιέχουν σημαντικές πληροφορίες σχετικά με την προσωπική ασφάλεια του χειριστή και τη συντήρηση του μηχανήματος. Τα σήματα και οι αυτοκόλλητες ετικέτες πρέπει να είναι πάντοτε ευανάγνωστα. Μπορείτε να παραγγείλετε νέα σήματα και αυτοκόλλητες ετικέτες από τον κατάλογο ανταλλακτικών.



5071050

ΔΗΛΩΣΗ ΣΥΜΜΟΡΦΩΣΗΣ ΕΚ

Εμείς, η εταιρεία Atlas Copco Tools AB, S-105 23 ΣΤΟΚΧΟΛΜΗ, ΣΟΥΗΔΙΑ δηλώνουμε με αποκλειστική μας ευθύνη ότι το προϊόν μας (με τύπο

και σειριακό αριθμό, βλ. πρώτη σελίδα) και σε συνδυασμό με τα βοηθητικά εξαρτήματα της εταιρείας μας, στο οποίο αναφέρεται η παρούσα δήλωση, πληροί τις απαιτήσεις του σχετικού προτύπου (ή των σχετικών προτύπων):

EN 792-8

και συμμορφώνεται με την ακόλουθη οδηγία (ή τις ακόλουθες οδηγίες):

2006/42/EC

Στοκχολμη, 29 Δεκεμβρίου 2009

Lennart Remneback, Γενικός Διευθυντής

Υπογραφή εκδότη

Εγκατάσταση

Ποιότητα του αέρα

- Για βέλτιστη απόδοση και μέγιστο χρόνο ζωής του προϊόντος συνιστάται η χρήση πεπιεσμένου αέρα με σημείο δρόσου μεταξύ +2°C και +10°C. Συνιστάται η εγκατάσταση ενός ξηραντήρα αέρα Atlas Copco ψυκτικού τύπου
- Χρησιμοποιείτε ξεχωριστό φίλτρο αέρα τύπου Atlas Copco FIL, το οποίο απομακρύνει τα στερεά σωματίδια που είναι μεγαλύτερα από 15 μ και περισσότερο από το 90 % του νερού, εγκατεστημένο όσο το δυνατόν πιο κοντά στο προϊόν και πριν από οποιαδήποτε άλλη μονάδα προπαρασκευής του αέρα όπως το REG ή DIM (παρακαλούμε βλέπετε τα εξαρτήματα της σειράς Air Line στον κύριο κατάλογο). Εξαερώστε τον ελαστικό σωλήνα πριν από τη σύνδεση

Μοντέλα με λίπανση:

- Ο πεπιεσμένος αέρας θα πρέπει να περιέχει μία μικρή ποσότητα λαδιού. Συνιστούμε ανεπιφύλακτα να εγκαταστήσετε έναν λιπαντή διάχυσης λαδιού Atlas Copco τύπου DIM, ρυθμισμένο φυσιολογικά σε 3–4 σταγόνες (50 mm³)/λεπτό για εργαλεία μεγάλου κύκλου λειτουργίας ή έναν λιπαντή μονού σημείου Atlas Copco τύπου Dosol για εργαλεία μικρού κύκλου λειτουργίας.

Για τη ρύθμιση του Dosol παρακαλούμε βλέπετε τα εξαρτήματα της σειράς Air Line στον κύριο κατάλογο.

Σύνδεση πεπιεσμένου αέρα

⚠ ΠΡΟΕΙΔΟΠΟΙΗΣΗ Ο αέρας υπό πίεση μπορεί να προκαλέσει σοβαρό τραυματισμό

- ▶ Πριν κάνετε οποιαδήποτε ρύθμιση στο προϊόν, π.χ. αλλαγή εξαρτημάτων ή επιδιορθώσεις, διακόπτετε πάντα την παροχή αέρα, αποστραγγίζετε τον ελαστικό σωλήνα του πεπιεσμένου αέρα και αποσυνδέετε το εργαλείο από την παροχή αέρα όταν δεν χρησιμοποιείται
- ▶ Ποτέ μην κατευθύνετε τον αέρα προς το μέρος σας ή προς οποιονδήποτε άλλον

⚠ ΠΡΟΕΙΔΟΠΟΙΗΣΗ Οι εκτινασσόμενοι ελαστικοί σωλήνες μπορούν να προκαλέσουν σοβαρούς τραυματισμούς

- ▶ Ελέγχετε πάντα για φθαρμένους ή χαλαρούς σωλήνες και συνδέσεις

Ελέγχετε την πίεση του αέρα:

- Το προϊόν είναι σχεδιασμένο για λειτουργική πίεση (e) 6–7 bar = 600–700 kPa = 87–102 psig
- Η πίεση του αέρα στην είσοδο του εργαλείου όταν αυτό λειτουργεί δεν πρέπει να υπερβαίνει τη μέγιστη λειτουργική πίεση 7 bar – 700 kPa – 102 psig
- Εξαerώνετε τον ελαστικό σωλήνα πριν από τη σύνδεσή του

Λειτουργία

Βλέπετε επίσης *Οδηγίες συντήρησης*

Προετοιμασίες πριν από τη χρήση του τριβείου

Σωστή λειτουργία του τριβείου

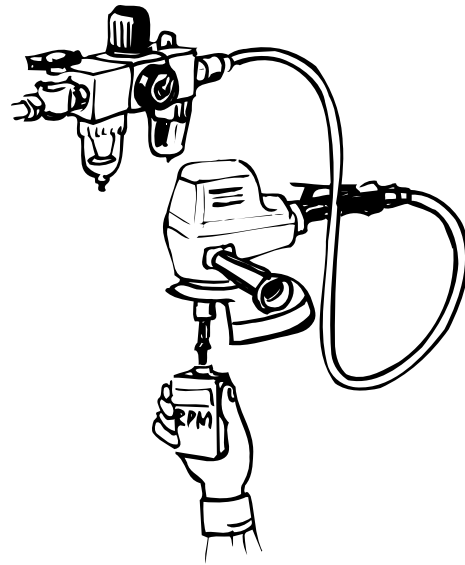
⚠ ΠΡΟΕΙΔΟΠΟΙΗΣΗ Η υπερβολική ταχύτητα λειτουργίας του εργαλείου μπορεί να προκαλέσει σοβαρό τραυματισμό ή θάνατο

- ▶ Δεν πρέπει να υπερβαίνετε τη μέγιστη επιτρεπόμενη ταχύτητα, όπως αυτή σημειώνεται πάνω στη μηχανή

Η δοκιμή του τριβείου θα πρέπει να διεξάγεται μόνο από επαγγελματίες τεχνικούς. Οι τεχνικοί θα πρέπει να είναι εξουσιοδοτημένοι να δοκιμάζουν αυτόν τον τύπο εργαλείου και να χειρίζονται ένα πνευματικό σύστημα σε συμμόρφωση προς τις εθνικές οδηγίες.

- Η ελεύθερη ταχύτητα της μηχανής θα πρέπει να ελέγχεται κάθε μέρα, καθώς και όποτε εκτελείται η εργασία συντήρησης. Αυτός ο έλεγχος θα πρέπει

να διεξάγεται με αποσυνδεδεμένο τον εξοπλισμό λείανσης



- Χρησιμοποιείτε ρυθμιστή πίεσης, για να αποφύγετε την υπερβολική πίεση αέρα που μπορεί να προκαλέσει υπερβολική ταχύτητα
- Οι συνδέσεις και ο σωλήνας αέρα θα πρέπει να βρίσκονται σε καλή κατάσταση

Εγκατεστημένος εξοπλισμός λείανσης

⚠ ΠΡΟΕΙΔΟΠΟΙΗΣΗ Ο αέρας υπό πίεση μπορεί να προκαλέσει σοβαρό τραυματισμό

- ▶ Πριν κάνετε οποιαδήποτε ρύθμιση στο προϊόν, π.χ. αλλαγή εξαρτημάτων ή επιδιορθώσεις, διακόπτετε πάντα την παροχή αέρα, αποστραγγίζετε τον ελαστικό σωλήνα του πεπιεσμένου αέρα και αποσυνδέετε το εργαλείο από την παροχή αέρα όταν δεν χρησιμοποιείται

⚠ ΠΡΟΕΙΔΟΠΟΙΗΣΗ Ένας ακατάλληλος εξοπλισμός λείανσης μπορεί να σπάσει και να προκαλέσει σοβαρό τραυματισμό ή θάνατο

- ▶ Χρησιμοποιείτε μαξιλαράκια ενίσχυσης ή υλικά λείανσης με επιτρεπόμενη ταχύτητα μεγαλύτερη ή ίση με αυτή του τριβείου
- ▶ Μην χρησιμοποιείτε μαξιλαράκια ενίσχυσης ή υλικά λείανσης διαφορετικά από αυτά που καθορίζει ο κατασκευαστής (όχι τροχούς αποκοπής ή “νύχια” σκαλίσματος). Βλέπετε Παράγραφο *Σχεδιασμός και λειτουργία*.

- Χρησιμοποιείτε μόνο τους συνιστώμενους τύπους και μεγέθη αποξεστικών εργαλείων
- Μην χρησιμοποιείτε στερεωμένους τροχούς με σπασίματα ή ρωγμές ή που μπορεί να έχουν πέσει κάτω
- Η κατάλληλη στήριξη είναι απαραίτητη για την πρόληψη τραυματισμών από σπασμένους στερεωμένους τροχούς

- Χρησιμοποιείτε μόνο επιστρωμένους δίσκους ή φύλλα εκτριβής που είναι κατάλληλα ασφαλισμένα στο μαξιλαράκι ενίσχυσης που παρέχεται με το τριβείο αέρα. Βεβαιωθείτε ότι οι δίσκοι εκτριβής αυτόματης στερέωσης είναι τοποθετημένοι ομοκεντρικά

Σωστός τρόπος εργασίας με το τριβείο

Διαβάστε την Παράγραφο *Οδηγίες ασφαλείας* πριν χρησιμοποιήσετε το τριβείο.



⚠ ΠΡΟΕΙΔΟΠΟΙΗΣΗ Η αδυναμία άσκησης των σωστών πρακτικών λειτουργίας μπορεί να προκαλέσει σοβαρό τραυματισμό ή θάνατο

- ▶ Όταν χρησιμοποιείτε ένα εργαλείο που έχει σχεδιαστεί για να έχει προστατευτική διάταξη, θα πρέπει να τοποθετείτε την προστατευτική διάταξη έτσι ώστε να σας παρέχει προστασία από ρινίσματα και άλλα υπολείμματα
- ▶ Βεβαιωθείτε ότι το αντικείμενο προς επεξεργασία στηρίζεται κατάλληλα
- ▶ Βεβαιωθείτε ότι οι σπίθες δεν αποτελούν κίνδυνο για ανθρώπους ή αντικείμενα
- ▶ Υπάρχει ο κίνδυνος ηλεκτροστατικής αποφόρτισης, εάν το εργαλείο χρησιμοποιείται πάνω σε πλαστικό ή άλλο μη αγώγιμο υλικό
- ▶ Θα πρέπει να χρησιμοποιείτε εξοπλισμό προσωπικής προστασίας, όπως περιγράφεται στην Παράγραφο *Εξοπλισμός προσωπικής προστασίας*
- ▶ Η ολίσθηση, το παραπάτημα και η πτώση είναι από τις κύριες αιτίες σοβαρού τραυματισμού ή θανάτου. Προσέχετε για την ύπαρξη περίσσειου ελαστικού σωλήνα που βρίσκεται στην επιφάνεια κίνησης ή εργασίας
- ▶ Προχωράτε με προσοχή όταν βρίσκεστε σε μη οικείο περιβάλλον. Μπορεί να υπάρχουν κρυφοί κίνδυνοι, όπως ηλεκτρικές γραμμές ή άλλες γραμμές εγκαταστάσεων
- ▶ Διατηρείτε μία ισορροπημένη στάση του σώματος και σταθερά πατήματα
- ▶ Αντιδράτε γρήγορα σε υπερβολικές δονήσεις εξαιτίας φθοράς ή ακατάλληλα τοποθετημένου εργαλείου εισαγωγής

- ▶ Μείνετε μακριά από την περιστρεφόμενη κινητήρια άτρακτο και τα αποξεστικά εργαλεία. Η περιστροφή μπορεί να συνεχιστεί για αρκετά δευτερόλεπτα αφού διακοπεί η τροφοδοσία της περιστροφικής κίνησης. Μην αφήνετε κάτω το εργαλείο, έως ότου σταματήσει η περιστροφή
- ▶ Προσέξτε ότι ο συσσωρευμένος στον σωλήνα πεπιεσμένος αέρας ενδέχεται να προκαλέσει μία απροσδόκητη εκκίνηση
- ▶ Απελευθερώστε τη συσκευή ελέγχου εάν σταματήσει να λειτουργεί η τροφοδοσία ενέργειας

Συντήρηση

Αντισκωριακή προστασία και εσωτερικός καθαρισμός

Το νερό στον πεπιεσμένο αέρα, τη σκόνη και τα σωματίδια από την εκτριβή προκαλούν σκουριά και φράξιμο των πτερυγίων του κινητήρα, των βαλβίδων κ.λπ.

Αυτό το πρόβλημα μπορεί να επιλυθεί με λίπανση με λάδι (μερικές σταγόνες), λειτουργία της μηχανής για 5-10 δευτερόλεπτα και απομάκρυνση του επιπλέον λαδιού με ένα κομμάτι ύφασμα.

Διενεργήστε τα παραπάνω πριν συμβούν σταματήματα λειτουργίας μεγάλης διάρκειας.

Λίπανση

Η μηχανή διαθέτει ένα κιβώτιο γωνιακής μετάδοσης κίνησης, το οποίο λιπαίνεται με ημیرهυστό γράσο, προκειμένου να διασφαλίζεται καλή αντοχή στη φθορά. Για να αποφύγετε την υπερπλήρωση, η οποία μπορεί να προκαλέσει αύξηση της θερμοκρασίας και βλάβη στις τσιμούχες, δεν υπάρχει στόμιο λίπανσης. Αντ' αυτού, το γράσο πρέπει να αντικαθίσταται μετά από 200 ώρες λειτουργίας περίπου, αφαιρώντας την άτρακτο του κιβωτίου γωνιακής μετάδοσης κίνησης.

Για ακριβείς ιδιότητες λίπανσης, χρησιμοποιήστε ημίρευστο γράσο τύπου Urethyn GE00. Η απαιτούμενη ποσότητα γράσου είναι το μέγιστο 7cm³.

- ⓘ **Μην χρησιμοποιείτε γράσο για σφαιροτριβείς ή πλαίσιο.**

Οδηγός λίπανσης

Χρησιμοποιείτε λιπαντικά καλής ποιότητας. Τα λιπαντέλαια και τα γράσα που καταγράφονται στον πίνακα λίπανσης είναι παραδείγματα λιπαντικών που συστήνονται.

Μάρκα	Γενική χρησιμότητα Τριβείς	Αερολίπανση
BP	Energrease LS-EP2	Energol E46
Castrol	Spheerol EP L2	
Esso	Beacon EP2	Arox EP46
Q8	Rembrandt EP2	Chopin 46
Mobil	Mobilegrease XHP 222	Almo oil 525
Shell	Alvania EP2	Tonna R32
Texaco	Multifak EP2	Aries 32
Molycote	BR2 Plus	

Γενική επιθεώρηση

⚠ ΠΡΟΕΙΔΟΠΟΙΗΣΗ Η υπερβολική ταχύτητα περιστροφής μπορεί να προκαλέσει σοβαρό τραυματισμό ή θάνατο

- ▶ Εάν χρησιμοποιείτε ρυθμιστή στροφών κινητήρα, βεβαιωθείτε ότι έχετε συναρμολογήσει τον κατάλληλο ρυθμιστή. Ο απρόσεκτος χειρισμός μπορεί να προκαλέσει βλάβη σε αυτόν
- ▶ Μην αποσυναρμολογείτε μέρη που σχετίζονται με την ασφάλεια, π.χ. ρυθμιστής στροφών κινητήρα ή συσκευή αυτόματης διακοπής λειτουργίας σε περίπτωση υπερβολικής ταχύτητας. Αυτά τα μέρη θα πρέπει να αντικαθίστανται εξολοκλήρου όταν υφίστανται βλάβη
- ▶ Ελέγχετε πάντα την ελεύθερη ταχύτητα της μηχανής μετά από την εκτέλεση των εργασιών συντήρησης. Βλέπετε Παράγραφο Προετοιμασία πριν από τη χρήση του τριβείου

Για προληπτική συντήρηση, το γράσο στο κιβώτιο γωνιακής μετάδοσης κίνησης πρέπει να αντικαθίσταται ανά 200 ώρες λειτουργίας περίπου. Ανατρέξτε στις οδηγίες της ενότητας *Λίπανση*.

Ολόκληρη η μηχανή θα πρέπει να ελέγχεται τακτικά κάθε έξι μήνες. Εάν η μηχανή χρησιμοποιείται για εργασία βαρέων καθηκόντων ή δεν λειτουργεί σωστά, τότε θα πρέπει να επιθεωρείται σε συντομότερα χρονικά διαστήματα.

Ελέγξτε το στεγανοποιητικό χείλος και την παρακείμενη στήλη για φθορές. Η τσιμούχα είναι πολύ σημαντική καθώς συγκρατεί το λιπαντικό μέσα στο κιβώτιο ταχυτήτων.

Ο εντατήρας στην είσοδο του αέρα θα πρέπει να καθαρίζεται συχνά, για να αποφεύγεται το φράξιμο και η μειωμένη δυναμικότητα.

- ⓘ **Καθαρίστε τα εξαρτήματα του κινητήρα και επαλείψτε ένα λεπτό στρώμα λαδιού αερολίπανσης στα πτερύγια και στην εσωτερική επιφάνεια του κυλίνδρου και των ακραίων ελασμάτων.**
Συναρμολογήστε τον κινητήρα και ελέγξτε ότι λειτουργεί χωρίς προβλήματα. Προσθέστε δύο σταγόνες λαδιού μέσω της εισόδου αέρα

και θέστε τον κινητήρα σε λειτουργία στο ρελαντί για 5-10 δευτερόλεπτα.

Χρήσιμες πληροφορίες

Μπορείτε να βρείτε κάθε είδους πληροφορίες σχετικά με εργαλεία, εξαρτήματα, εξοπλισμό της Pro, καθώς και δημοσιευμένα θέματα στο WEB site μας!

 Μπείτε στο www.pro-powertools.com

Τεχνικά στοιχεία

Εκπομπές θορύβου και δονήσεων

Θόρυβος (σύμφωνα με PN8NTC1.2)	dB(A)
Στάθμη ηχητικής πίεσης	75
Στάθμη ηχητικής ισχύος	-
Αβεβαιότητα	Noise spread
	-
	volume

Συνολική τιμή δονήσεων, ισχύει από το 2010 (τιμή 3 αξόνων σύμφωνα με Vibration according new - volume)

Τιμή δονήσεων	m/s ²
Αβεβαιότητα	Vibration value new - volume
	Vibration spread new - volume

Τιμή δονήσεων, ισχύει από το 2009 (τιμή 1 άξονα σύμφωνα με EN/ISO 8662-8)

Τιμή δονήσεων	m/s ²
	<2.5

Έγγραφο δήλωση επιπέδου θορύβου & δονήσεων

Οι τιμές που δηλώνονται εξακριβώθηκαν μέσω εργαστηριακών δοκιμών σε συνάρτηση με τα αναφερόμενα πρότυπα και μπορούν να χρησιμοποιηθούν για σύγκριση με τις δηλωμένες τιμές άλλων εργαλείων που υποβλήθηκαν σε δοκιμή σύμφωνα με τα ίδια πρότυπα. Οι τιμές που δηλώνονται δεν είναι κατάλληλες για χρήση σε υπολογισμούς εκτίμησης κινδύνου, καθώς οι τιμές μέτρησης σε μεμονωμένους χώρους εργασίας μπορεί να είναι υψηλότερες. Οι πραγματικές τιμές έκθεσης και οι κίνδυνοι σωματικής βλάβης, στους οποίους εκτίθεται ο μεμονωμένος χρήστης είναι μοναδικές και εξαρτώνται από τον τρόπο εργασίας του χρήστη, το αντικείμενο εργασίας και το σχεδιασμό της θέσης εργασίας καθώς και από το χρόνο έκθεσης και τη φυσική κατάσταση του χρήστη.

Εμείς, η εταιρεία **Atlas Copco Tools AB**, δεν μπορούμε να θεωρηθούμε υπεύθυνοι για τις συνέπειες της χρήσης των δηλωμένων τιμών, αντί των τιμών που αντιστοιχούν στην πραγματική έκθεση, σε μια μεμονωμένη εκτίμηση κινδύνου σε μια κατάσταση θέσης εργασίας, για την οποία δεν έχουμε κανένα έλεγχο.

Αυτό το εργαλείο μπορεί να προκαλέσει σύνδρομο δόνησης χεριού-βραχίονα, σε περίπτωση ανεπαρκούς διαχείρισης της χρήσης του. Ένα κείμενο οδηγιών της ΕΕ σχετικά με τη διαχείριση της δόνησης χεριού-βραχίονα μπορείτε να βρείτε στη διεύθυνση <http://www.humanvibration.com/EU/VIBGUIDE.htm>

Συνιστούμε την τήρηση προγράμματος ιατρικής παρακολούθησης, για να αναγνωρίζονται τυχόν αρχικά συμπτώματα που ενδέχεται να σχετίζονται με την έκθεση σε δονήσεις, έτσι ώστε να είναι δυνατή η τροποποίηση των διαδικασιών διαχείρισης και να αποτρέπεται η πρόκληση μελλοντικών σωματικών βλαβών.

Säkerhetsanvisningar

Viktig information för säker användning

Dessa anvisningar avser installation, drift, hantering och underhåll av produkten, insatta/monterade verktyg och utrustning.



- Det är mycket viktigt att operatören läst och förstått anvisningarna helt och hållet innan produkten används.
- Förvara anvisningarna säkert för framtida referens och se till att operatören alltid har full tillgång till dem.
- Om anvisningarna inte åtföljs kan detta leda till allvarliga risker.

Vår målsättning är att producera verktyg som hjälper dig arbeta säkert och effektivt.

Den viktigaste säkerhetsanordningen för arbetet och för alla verktyg är DU.

Din försiktighet och ditt goda omdöme är det bästa skyddet mot personskador.

Den här maskinen får inte ändras av produktskäl eller säkerhetsskäl. Endast behöriga och utbildade operatörer får installera, justera eller använda verktyget.

Vi kan inte täcka in alla eventuella risker här, men vi vill belysa några av de viktigaste. För ytterligare säkerhetsinformation ber vi er ta del av följande:

- Övrig dokumentation och information som medföljde det här verktyget
- Din arbetsgivare, fackförening och/eller arbetstagarorganisation
- Tillämpliga standarder enligt aktuellt avsnitt *EG-försäkran om överensstämmelse*

Ytterligare hälso- och säkerhetsinformation kan fås från följande webbplatser:

<http://www.osha.gov> (USA)

<http://europe.osha.eu.int> (Europa)

Signalord för säkerhet

Signalorden för säkerhet är Fara, Varning och Observera. De har följande betydelse:

FARA	Detta är en farlig situation som kommer att leda till dödsfall eller allvarliga personskador om den inte undviks.
VARNING	Detta är en farlig situation där det finns risk för dödsfall eller allvarliga personskador om den inte undviks.
OBSERVERA	Detta är en farlig situation där det finns risk för lindriga eller medelsvåra personskador om den inte undviks.

Personliga förebyggande åtgärder och behörigheter

Installation, lagring, underhåll och bortskaffande

Installation, lagring, underhåll och bortskaffande av produkten får endast göras av personer som:

- är fysiskt kapabla att hantera verktygets storlek, vikt och effekt
- känner till alla gällande nationella anvisningar för säkerhet och förebyggande av olyckor
- har läst och förstått bruksanvisningen

Användning

Produkten får endast användas av behöriga operatörer. Operatörer är behöriga om de:

- är fysiskt kapabla att hantera verktygets storlek, vikt och effekt
- är utbildade i att använda produkten i enlighet med nationella direktiv
- känner till alla gällande nationella anvisningar för säkerhet och förebyggande av olyckor
- har läst och förstått bruksanvisningen

Personlig skyddsutrustning

⚠ VARNING Risk för att fastna

- ▶ Bär inte smycken eller löst sittande kläder
- ▶ Håll halsband på behörigt avstånd från verktyg och tillbehör för att undvika kvävning
- ▶ Håll håret på behörigt avstånd från verktyg och tillbehör för att undvika att det fastnar och slits loss

Den personliga skyddsutrustningen måste överensstämma med gällande hälso- och säkerhetsregler.

Bär alltid följande personliga skyddsutrustning:

- Skyddshjälm
- Hörselskydd
- Skyddsglasögon med sidoskydd
- Skyddshandskar
- Skyddsskor

Droger, alkohol och mediciner

Droger, alkohol och mediciner kan försämra ditt omdöme och din koncentrationsförmåga.

⚠ VARNING Långsamma reaktioner och felaktiga bedömningar kan leda till allvarliga olyckor eller dödsfall

- ▶ Använd aldrig produkten om du är påverkad av droger, alkohol eller mediciner
- ▶ Du måste också hindra andra från att använda produkten om de är påverkade av droger, alkohol eller mediciner

Installation, drift och underhåll: förebyggande åtgärder

⚠ **VARNING Explosiva ämnen och explosiva gaser, explosionsrisk**

Om produkten kommer i kontakt med explosiva ämnen kan explosion uppstå. Explosioner kan leda till allvarliga personskador eller dödsfall.

Gnistor kan uppstå under användning av produkten. Dessa gnistor kan antända brandfarliga damm och gaser, och orsaka brand eller explosioner.

- ▶ Använd aldrig produkten i närheten av explosiva ämnen
- ▶ Arbeta aldrig i brandfarliga eller explosionsfarliga omgivningar
- ▶ Kontrollera att det inte finns några dolda gaskällor inom ditt arbetsområde

⚠ **VARNING Elchock**

Om produkten kommer i kontakt med elektriska kretsar eller andra elektriska effektkällor finns risk för allvarliga personskador eller dödsfall.

- ▶ Arbeta aldrig i närheten av elektriska kretsar eller andra elektriska effektkällor
- ▶ Kontrollera att det inte finns några dolda elektriska källor inom ditt arbetsområde

⚠ **VARNING Dammrisk**

Vissa typer av damm, ångor eller andra luftburna material som skapas vid sandning, sågning, slipning, borrar och andra konstruktionsaktiviteter kan innehålla kemikalier som är enligt staten Kalifornien kan orsaka cancer och fosterskador eller andra fortplantningsskador. Exempel på sådana kemikalier är:

Kristallin silika, cement och andra murningsprodukter.

Arsenik och krom från kemiskt behandlat gummi.
Bly från blybaserade färger.

- ▶ För att minska exponeringen för dessa kemikalier ska du arbeta i ett väl ventilerat område, och arbeta med godkänd säkerhetsutrustning, t.ex. ansiktsmasker som skyddar mot damm. Maskerna måste vara specialkonstruerade för att filtrera ut mikroskopiska partiklar.
- ▶ Andas inte in damm och hantera inte avfall från arbetsprocessen om detta kan innebära hälsorisker
- ▶ Använd dammsug, t.ex. punktugsug och bär andningsskydd när du arbetar med material som genererar luftburna partiklar
- ▶ Explosionsrisk kan uppstå i omgivningar där det förekommer damm och ångor som bildats vid sandning eller slipning. Använd alltid dammsug eller andra typer av skyddssystem som är lämpliga för det material som bearbetas

⚠ **VARNING Projektiler**

Vid sandning, sågning, slipning, borrar och andra konstruktionsaktiviteter kan gnistor, spånor, hjulfragment eller andra partiklar flyga iväg som projektiler och orsaka kroppsskador om de träffar operatören eller andra personer.

Även små projektiler kan skada ögonen och orsaka blindhet.

- ▶ Bär alltid slagåliga ögon- och ansiktsskydd när du arbetar i eller nära drift, reparation eller underhåll av verktyget, eller när du byter tillbehör i verktyget.
- ▶ Använd barriärer för att skydda andra från hjulfragment och slipgnistor
- ▶ Kontrollera att alla andra i området bär slagåliga ögon- och ansiktsskydd

⚠ **VARNING Bullerrisk**

Höga ljudnivåer kan orsaka permanenta hörselskador.

- ▶ Använd hörselskydd i enlighet med gällande arbetskydds-, hälso- och säkerhetsregler.

⚠ **VARNING Vibrationsrisk**

Exponering för vibrationer kan skada nerverna och stoppa blodflödet till händerna och armarna.

- ▶ Monotona arbetsrörelser, obekväma ställningar och exponering för vibration kan vara skadligt för händer och armar. Om du drabbas av dålig känsel, stickningar, smärtor eller vitfärgning av huden måste du sluta använda verktyget och söka läkare.
- ▶ Använd inte maskinen om axeln är böjd
- ▶ Använd vibrationsdämpade verktyg om sådana finns
- ▶ Minimera tiden som du utsätter dig för vibration

Allmän information

Konstruktion och funktion

Den här putsmaskinen är endast avsedd för underläggsskiva och putsskivor. Den här modellen är smord. Maskinen, dess extrautrustning och tillbehör får endast användas i det syfte de konstruerats för. All annan användning är förbjuden.

- Använd aldrig slip- eller kapskivor på en putsmaskin utan sprängskydd
- Montera aldrig cirkelformade sågklingor eller andra skärande verktyg som inte är avsedda för verktyget

Skyltar och dekaler

Maskinen är försedd med skyltar och dekaler som innehåller viktig information om personlig säkerhet och maskinunderhåll. Skyltarna och dekaler måste

alltid vara läsbara. Nya skyltar och dekaleringar kan beställas med hjälp av reservdelslistan.



EG-FÖRSÄKRAN OM ÖVERENSSTÄMMELE

Vi, Atlas Copco Tools AB, 105 23 STOCKHOLM SVERIGE försäkrar under eget ansvar att vår produkt (med typ- och serienummer, se framsidan) och i kombination med våra tillbehör, som denna försäkrans avser, överensstämmer med tillämplig(a) standard(er):

EN 792-8

och i enlighet med följande direktiv:

2006/42/EC

Stockholm, 29 december 2009

Lennart Remneback, Affärschef

Utgivarens signatur

Installation

Luftkvalitet

- För optimala prestanda och maximal produktlivslängd rekommenderar vi användning av tryckluft med dagpunkt mellan +2 °C och +10 °C. Vi rekommenderar installation av en Atlas Copco-torkenhet med kylning.
- Använd ett separat luftfilter av typen Atlas Copco FIL. Detta tar bort fasta partiklar som är större än 15 mikron samt mer än 90 % av vatten i flytande form. Filtret ska installeras så nära produkten som möjligt, och före alla andra luftberedningsenheter som t.ex. REG eller DIM (se Trycklufttillbehör i vår huvudkatalog). Blås igenom slangen före anslutning

Smorda modeller:

- Tryckluften måste innehålla en liten mängd olja. Vi rekommenderar starkt att du installerar en av Atlas Copcos oljesmörjare av typen DIM. Denna ska normalt ställas in på 3–4 droppar (50 mm³)/min för verktyg som kör långa arbetscykler. Det går även att använda en enpunktssmörjare av typen Atlas Copco Dosol för verktyg som kör korta arbetscykler. Information om Dosol-inställningar hittar du under Trycklufttillbehör i vår huvudkatalog.

Anslutning för tryckluft

⚠ VARNING Tryckluft kan orsaka allvarliga personskador

- ▶ Stäng alltid av tilluften, töm slangen på lufttryck och koppla ur verktyget från tryckluften när det inte används, innan du utför några justeringar på produkten (t.ex. byter tillbehör) eller när du utför reparationer.
- ▶ Rikta aldrig tryckluft mot dig själv eller någon annan

⚠ VARNING Piskande slangar kan orsaka allvarliga personskador

- ▶ Kontrollera alltid om det finns skadade eller lösa slangar och kopplingar

Kontrollera lufttrycket:

- Produkten är avsedd för ett arbetstryck (e) på 6–7 bar = 600–700 kPa = 87–102 psig
- Lufttrycket vid verktygets inlopp med produkten igång får inte överstiga högsta tillåtna arbetstryck 7 bar – 700 kPa – 102 psig
- Blås igenom slangen innan du ansluter den

Användning

Se även *Serviceanvisningar*

Förberedelser före användning av putsmaskin

Korrekt putsmaskinsfunktion

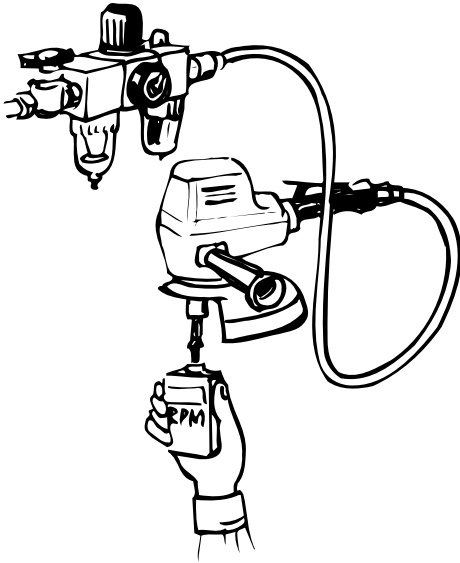
⚠ VARNING För höga varvtal kan orsaka allvarliga personskador eller dödsfall

- ▶ Maskinens högsta tillåtna varvtal (märkt på maskinen) får inte överskridas

Test av putsmaskin får endast utföras av professionella tekniker. Teknikerna måste vara behöriga att testa den här typen av verktyg och manövrera ett pneumatiskt system i enlighet med nationella direktiv.

- Maskinens tomgångsvarvtal ska kontrolleras varje dag och alltid när maskinen genomgått service.

Denna kontroll ska göras utan att någon sliputrustning kopplats till maskinen.



- Använd en tryckregulator för att undvika överdrivet lufttryck som kan orsaka övervarvning
- Kopplingar och luftslang måste vara i bra skick

Monterad sliputrustning

⚠ VARNING Tryckluft kan orsaka allvarliga personskador

- ▶ Stäng alltid av tilluften, töm slangen på lufttryck och koppla ur verktyget från tryckluften när det inte används, innan du utför några justeringar på maskinen (t.ex. byter tillbehör) eller när du utför reparationer.

⚠ VARNING Om felaktig sliputrustning används kan utrustningen gå sönder och orsaka allvarliga personskador eller dödsfall

- ▶ Använd underläggsskiva eller slipskiva med varvtal som är högre än eller samma som den tryckluftdrivna putsmaskinens varvtal
- ▶ Använd inga andra underläggsskivor eller slipskivor än de som tillverkaren angivit (inga kapskivor eller och inga fräskomponenter). Se avsnittet *Konstruktion och funktion*.
- Använd bara slipskivor av rekommenderade dimensioner och typer
- Använd inte skivor som är spräckta eller ojämna, eller som kan ha tappats
- Rätt montering är nödvändig för att förhindra skador från trasiga skivor
- Använd endast puts-skivor med rätt typ av beläggning, eller ark som fästs ordentligt vid underläggsskivan som sitter på putsmaskinen. Kontrollera att självhäftande puts-skivor monteras koncentriskt

Rätt sätt att arbeta med putsmaskinen

Läs avsnittet *Säkerhetsanvisningar* innan du använder putsmaskinen.



⚠ VARNING Om du inte följer rätt arbetsrutiner kan allvarliga personskador eller dödsfall inträffa

- ▶ När du använder maskiner som är avsedda att användas med skydd måste skyddet sitta på plats för att hindra spånor och andra sliprester från att stänka.
- ▶ Kontrollera att arbetsstycket är ordentligt uppstöttat
- ▶ Kontrollera att gnistor inte innebär någon risk för personer eller material
- ▶ Det finns risk för elektrostatisk urladdning om verktyget används på plast och på andra icke-ledande material
- ▶ Personlig skyddsutrustning måste användas enligt beskrivningen i avsnitt *Personlig skyddsutrustning*
- ▶ Om en person halkar/snubblar/faller kan allvarliga personskador eller dödsfall inträffa. Kontrollera att inga lösa slangar lämnas kvar på gång- eller arbetsytor.
- ▶ Arbeta med försiktighet på områden som du inte känner till. Det kan finnas dolda risker som t.ex. elledningar eller andra ledningar
- ▶ Stå alltid balanserat och med båda fötterna ordentligt på marken
- ▶ Reagera snabbt på överdrivna vibrationer på grund av skadade eller felaktigt monterade redskap/tillbehör
- ▶ Håll dig på behörigt avstånd från roterande spindlar och slipskivor. Rotationen kan fortsätta under flera sekunder efter att operatören släppt reglaget. Lagg inte ner verktyget förrän rotationen stoppat.
- ▶ Observera att lagrad tryckluft i slangen kan orsaka oförberedd start
- ▶ Släpp reglaget om matningen till verktyget upphör

Underhåll

Rostskydd och inre rengöring

Vatten i tryckluft, damm och slitagepartiklar orsakar rost och kärvning i lameller, ventiler etc.

Problemet kan lösas genom att smörja med olja (några droppar), köra maskinen under 5–10 sekunder och torka av överskottsoljan med en trasa. **Gör detta före längre stopp.**

Smörjning

Maskinen är utrustad med en vinkelväxel smord med ett halvflytande fett för erhållande av god slitstyrka. För att undvika överpåfyllning som kan orsaka förhöjd temperatur och skador på tätningarna så finns ingen smörjnippel. Smörjfettet ska i stället bytas efter ca 200 drifttimmar genom att ta bort vinkelväxels spindel.

Använd fett av den halvflytande typen Urethyn GE00 för att få rätt smörjegenskaper. Den mängd smörjfett som krävs är maximalt 7cm³.

ⓘ Använd inte kullager- eller chassifett.

Anvisningar för smörjning

Använd smörjmedel av god kvalitet. De i smörjtabellen angivna smörjmedlen utgör exempel på sådana som kan rekommenderas.

Märke	Allmänt syfte Lager	Luftsmörjning
BP	Energol LS-EP2	Energol E46
Castrol	Spheerol EP L2	
Esso	Beacon EP2	Arox EP46
Q8	Rembrandt EP2	Chopin 46
Mobil	Mobilegrease XHP 222	Almo oil 525
Shell	Alvania EP2	Tonna R32
Texaco	Multifak EP2	Aries 32
Molycote	BR2 Plus	

Underhåll

⚠ VARNING För höga varvtal kan orsaka allvarliga personskador eller dödsfall

- ▶ Om varvtalsregulator används: kontrollera att rätt varvtalsregulator monterats. Oförsiktig hantering kan göra att den slutar fungera.
- ▶ Ta inte isär några säkerhetskomponenter, t.ex. varvtalsregulator eller övervarvsskydd. Dessa komponenter måste bytas ut helt och hållet om de skadats.
- ▶ Kontrollera alltid maskinens tomgångsvarvtal efter service. Se avsnittet *Förberedelse före användning av putsmaskin*

För förebyggande underhåll bör fettet i vinkelväxeln bytas efter ca 200 drifttimmar. Se anvisningarna under *Smörjning*.

Hela maskinen ska kontrolleras regelbundet varje halvår. Om maskinen används för tunga uppgifter eller inte fungerar störningsfritt, skall den tas ur drift oftare för kontroll.

Kontrollera om läpptätningen och den intilliggande spalten är slitna. Tätningen är helt nödvändig för att hålla kvar smörjmedlet i växellådan.

Filtret i tilluftintaget bör rengöras regelbundet för att förhindra strypning och minskad kapacitet.

ⓘ Rengör motordelarna och lägg på ett tunt lager luftsmörjningsolja på lamellerna och innerytorna på cylindern och ändplåtarna. Montera motorn och kontrollera att den går fritt. Häll två droppar olja i luftintaget och kör motorn 5-10 sekunder på tomgång.

Användbar information

På vår hemsida finns all slags information beträffande Pro verktygsprodukter, tillbehör, reservdelar och trycksaker.

 **Logga in på www.pro-powertools.com**

Tekniska data

Ljud- och vibrationsemissioner

Ljud (i enlighet med PN8NTC1.2)	dBA
Ljudtrycksnivå	75
Ljudeffektnivå	-
Osäkerhet	Noise spread
	-
	volume

Totalt vibrationsvärde, giltigt från 2010 (3-axligt värde i enlighet med Vibration according new - volume)

Vibrationsvärde	m/s ²
Vibrationsvärde	Vibration value new - volume
Osäkerhet	Vibration spread new - volume

Vibrationsvärde, giltigt t.o.m. 2009

(1-axligt värde i enlighet med EN/ISO 8662-8)	m/s ²
Vibrationsvärde	<2.5

Meddelande om buller & vibrationer

Dessa värden har uppmätts i laboratoriemiljö enligt gällande standard. Värdena kan användas för att

jämföra andra verktygsvärden som har uppmätts enligt samma standarder. Värdena som anges här bör inte användas vid riskbedömning och på vissa arbetsplatser kan de uppmätta värdena vara högre. Det faktiska värdet och den faktiska skaderisken som en enskild användare utsätts för är individuella och beror på en rad faktorer såsom arbetsätt, utformning på arbetsstycket och arbetsstationen, hur länge individen utsätts för påfrestningar och individens fysiska hälsa.

Då en riskbedömning görs för en arbetsplats som inte vi har kontroll över kan vi, **Atlas Copco Tools AB**, inte hållas ansvariga för konsekvenserna om dessa värden används som riktlinjer istället för värden som reflekterar arbetets faktiska påfrestningsgrad.

Detta verktyg kan orsaka vibrationssyndrom på handen-armen om verktyget inte hanteras på rätt sätt. Det finns EU-guide angående hantering av hand-arm-vibrationer på <http://www.humanvibration.com/EU/VIBGUIDE.htm>

För att förebygga eventuella framtida åkommor rekommenderar vi att hälsokontroller genomförs för att upptäcka tidiga symptom som kan bero på vibrationsrelaterade arbetsuppgifter.

Инструкции по технике безопасности

Информация для безопасного использования

Эти инструкции касаются установки, работы, обслуживания и эксплуатации как ручного инструмента и оборудования, так и установленного куда-либо.



- Совершенно необходимо изучить инструкции до начала работы
- Храните инструкции в надежном и доступном для оператора месте
- Несоблюдение нижеперечисленных правил может привести к серьезному ущербу

Данный инструмент помогает работать эффективно с соблюдением всех правил техники безопасности.

Самое важное при работе – это ВАША безопасность.

Ваша внимательность и серьезная оценка всех рисков являются лучшей защитой от возможности причинения вреда своему здоровью.

Ни в коем случае нельзя изменять конструкцию данного инструмента во избежание потерь гарантийных обязательств и свойств безопасности. Установка, настройка и работа с инструментом должны производиться только квалифицированным и обученным персоналом.

Мы не можем предусмотреть весь возможный ущерб, но подчеркиваем самые значительные виды. Дополнительная информация по технике безопасности:

- Другие документы и информация в упаковке с инструментом
- Ваш работодатель, профессиональные и/или отраслевые организации
- Соответствующие стандарты смотрите в разделе *ЕС Заявление соответствия*

Для дополнительной профессиональной информации смотрите веб-сайты:
<http://www.osha.gov> (США)
<http://europe.osha.eu.int> (Европа)

Слова-предупреждения об опасности

Слова-предупреждения об опасности Опасность, Предупреждение и Внимание имеют следующие значения:

ОПАСНОСТЬ	Обозначают опасную ситуацию, которая, если ее не избежать, приведет к смерти или серьезному вреду здоровью.
ПРЕДУПРЕЖДЕНИЕ	Обозначают опасную ситуацию, которая, если ее не избежать, может привести к смерти или серьезному вреду здоровью.
ВНИМАНИЕ	Обозначают опасную ситуацию, которая, если ее не избежать, может привести к незначительному или небольшому вреду здоровью.

Индивидуальные меры предосторожности и квалификация

Установка, хранение, эксплуатация и вывод из эксплуатации

Установка, хранение, эксплуатация и вывод из эксплуатации инструмента может предприниматься только теми людьми, кто:

- физически способен поднимать и выдерживать воздействие инструмента
- знает все соответствующие инструкции по технике безопасности и мерам по предотвращению несчастных случаев
- следует всем инструкциям по эксплуатации

Эксплуатация

Работа с инструментом ведется только квалифицированным персоналом, т.е. теми, кто:

- физически способен поднимать и выдерживать воздействие инструмента
- обучен работе с инструментом в соответствии с национальным законодательством
- знает все соответствующие инструкции по технике безопасности и мерам по предотвращению несчастных случаев
- следует всем инструкциям по эксплуатации

Индивидуальные средства защиты

⚠ ПРЕДУПРЕЖДЕНИЕ Во избежание опасности

- ▶ Не носите украшения и просторную одежду
- ▶ Держите область шеи подальше от инструмента во избежание удушья
- ▶ Держите волосы подальше от инструмента во избежание их захвата

Индивидуальные средства защиты должны соответствовать действующим правилам техники безопасности и СНиП (санитарным нормам и правилам).

Всегда используйте следующие средства защиты:

- Каску (шлем)
- Защитные наушники

- Защитные очки с боковой защитой
- Защитные перчатки
- Защитную обувь

Алкоголь, наркосодержащие и медикаментозные препараты

Алкоголь, наркосодержащие и медикаментозные препараты могут ухудшить ясность мышления и четкость восприятия.

⚠ ПРЕДУПРЕЖДЕНИЕ Замедленность реакции и неточность восприятия может привести к серьезным травмам или даже смерти

- ▶ Никогда не работайте с инструментом, если вы находитесь под воздействием алкоголя, наркосодержащих или медикаментозных препаратов
- ▶ Не допускайте к работе с инструментом лиц, находящихся под воздействием алкоголя, наркосодержащих или медикаментозных препаратов

Установка, Эксплуатация и Обслуживание: меры предосторожности

⚠ ПРЕДУПРЕЖДЕНИЕ Взрывчатые вещества и газы, последствия взрыва

Воздействие инструмента на взрывчатые вещества может привести к взрыву, что может стать причиной серьезной травмы или даже смерти.

При работе с инструментом искры могут зажечь легковоспламеняемые взвеси и газы и привести к взрыву или пожару.

- ▶ Не работайте рядом с взрывчатыми веществами
- ▶ Не работайте в легковоспламеняемой или взрывоопасной среде
- ▶ Убедитесь, что на рабочем месте нет скрытых источников газа

⚠ ПРЕДУПРЕЖДЕНИЕ Электрический удар

При входе в контакт инструмента с электрическими цепями или источниками электроэнергии существует вероятность получения серьезного повреждения или смертельной травмы.

- ▶ Не работайте рядом с электрическими цепями или источниками электроэнергии
- ▶ Убедитесь, что на рабочем месте нет скрытых источников электроэнергии

⚠ ПРЕДУПРЕЖДЕНИЕ Воздействие пыли

Некоторые вещества, находящиеся в воздухе в виде испарений, пыли или взвеси, получаемых в результате шлифовки, пиления, зачистки, сверления и других процессов обработки материала могут вызывать злокачественную опухоль, врожденные дефекты или отклонения репродуктив-

ных свойств. Ниже перечислены некоторые из таких веществ:

Кристаллический кварц, цемент и некоторые другие строительные материалы.

Мышьяк и хром из химически обработанного каучука.

Свинец из красок на основе свинца.

- ▶ Для уменьшения воздействия подобных веществ работайте в хорошо вентилируемом помещении и с индивидуальными средствами защиты, такими как, например, противопылевая маска для удаления из воздуха микроскопических частиц.
- ▶ Избегайте вдыхания пыли и контакта с отходами процесса обработки материала, которые могут причинить вред вашему здоровью
- ▶ Удаляйте пыль (например, с помощью насадки для пылеотсоса) и используйте защиту дыхательных путей при работе с материалом, образующим воздушную взвесь
- ▶ При шлифовке и зачистке из-за пыли и испарений может образоваться потенциально взрывоопасная атмосфера, поэтому всегда используйте подходящую систему пылеудаления или предотвращения появления взрывоопасных отходов

⚠ ПРЕДУПРЕЖДЕНИЕ Отходы процесса обработки

При зачистке, пилении, шлифовке, сверлении и некоторых других работах образуются искры, стружки, мелкие частицы обрабатываемого материала и другие отходы процесса обработки, которые могут отлететь и нанести вред здоровью оператора или рядом находящихся людей.

Даже самая маленькая частица может повредить глаз и вызвать слепоту.

- ▶ Всегда носите защитные очки или маску при работе с инструментом, его обслуживании или ремонте, а также, если находитесь рядом или меняете какие-то принадлежности на нем
- ▶ Используйте барьеры для защиты других людей от искр и осколков обрабатываемых дисков
- ▶ Проверяйте, чтобы все находящиеся в рабочей зоне носили защитную маску или очки

⚠ ПРЕДУПРЕЖДЕНИЕ Воздействие шума

Высокий уровень шума может привести к постоянному ослаблению слуха.

- ▶ Используйте средства защиты слуха в соответствии с действующими правилами техники безопасности и СНиП

⚠ ПРЕДУПРЕЖДЕНИЕ Воздействие вибрации

Вибрация может повредить нервные окончания и нарушить кровяное снабжение кистей и рук.

- ▶ Повторяющиеся движения, неудобное положение и воздействие вибрации могут нанести вред кистям и рукам. При появлении нечувствительности, покалывания, боли или побеления пальцев прекратите использование инструмента и обратитесь к врачу
- ▶ Не используйте на инструменте насадки со скручивающимся хвостовиком
- ▶ Применяйте по возможности вибродемпфированный инструмент
- ▶ Сократите до минимума время воздействия вибрации

Общая информация

Дизайн и назначение

Эта зачистная машина предназначена только для абразивных материалов и подложек. Ее необходимо смазывать. Этот инструмент, его основные и дополнительные принадлежности должны использоваться только для тех целей, для которых они спроектированы, а нецелевое применение запрещено.

- Не используйте шлифовальные или отрезные диски на зачистной машине без защитного кожуха
- Не устанавливайте циркулярные пилы или отрезные насадки, не предназначенные для данного инструмента

Знаки и наклейки

Машина снабжена знаками и наклейками, содержащими информацию о правилах персональной безопасности и обслуживания машины. Эти знаки и наклейки должны всегда оставаться доступными для чтения. При необходимости можно заказать новые знаки и наклейки по каталогу запчастей.



ЗАЯВЛЕНИЕ О СООТВЕТСТВИИ НОРМАМ ЕС

Мы, компания Atlas Copco Tools AB, СТОК-ГОЛЬМ, ШВЕЦИЯ, под свою исключительную ответственность заявляем, что данный продукт (тип и серийный номер см. на заглавной страни-

це), к которому относится данный документ, соответствует стандартам:

EN 792-8

и следующим директивам:

2006/42/ЕС

Стокгольм, 29 декабря 2009.

Леннарт Ремнебек (Lennart Remnebäck), генеральный директор

Подпись заявителя



Установка

Качество воздуха

- Чтобы обеспечить оптимальную производительность и максимально долгий срок службы инструмента, рекомендуется использовать сжатый воздух с точкой росы от +2 С до +10 С. Кроме того, рекомендуется установить осушитель воздуха рефрижераторного типа производства компании Atlas Copco.
- Следует использовать отдельный воздушный фильтр типа Atlas Copco FIL (он удаляет твердые частицы крупнее 15 микрон и более 90 % жидкой воды), который необходимо установить как можно ближе к инструменту и другому устройству очистки воздуха, например REG или DIM (см. раздел "Принадлежности для линии подачи воздуха" в нашем главном каталоге). Перед подключением продуйте шланг.

Модели, смазываемые через воздух:

- Сжатый воздух должен содержать небольшое количество масла. Настоятельно рекомендуется установить лубрикатор DIM с эффектом масляного тумана производства компании Atlas Copco, который обычно работает в режиме 3–4 капель (50 мм³)/мин для инструментов длительного рабочего цикла или точечный маслораспылитель типа Dosol для инструментов кратковременного рабочего цикла.

Информацию о настройке DOSOL см. в разделе "Принадлежности для линии подачи воздуха" в нашем главном каталоге.

Подключение пневмомагистрали

⚠ ПРЕДУПРЕЖДЕНИЕ Сжатый воздух может причинить вред здоровью

- ▶ Всегда отключайте подачу воздуха, выпускайте сжатый воздух из шланга и отсоединяйте инструмент от линии подключения воздуха, если не используете его, меняете принадлежности, настраиваете или ремонтируете
- ▶ Никогда не направляйте выходящий воздух на себя или кого-либо другого

⚠ ПРЕДУПРЕЖДЕНИЕ Бьющийся шланг может нанести вред здоровью

- ▶ Всегда проверяйте шланги и фитинги на наличие повреждений и надежность крепления

Проверяйте давление воздуха:

- Аппарат рассчитан на рабочее давление в 6–7 бар = 600–700 кПа
- Максимальное давление воздуха на входе работающего инструмента не должно превышать 7 атм – 700 кПа
- Перед подключением продуйте шланг.

Эксплуатация

См. также *Сервисные инструкции*

Подготовка перед использованием зачистной машины**Правильная работа зачистной машины**

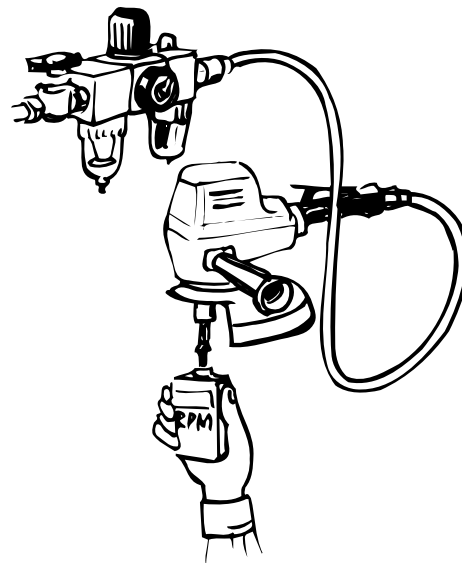
⚠ ПРЕДУПРЕЖДЕНИЕ Избыточная скорость может привести к серьезному вреду здоровью или даже смерти

- ▶ Максимально допустимая скорость не должна превышать указанную на инструменте

Проверка зачистной машины должна проводиться только обученным персоналом. Персонал должен иметь допуск к испытанию данного типа инструмента и работе на нем в соответствии с действующими правилами.

- Скорость на холостом ходу должна проверяться каждый день и каждый раз после сервисного

обслуживания. Она должна проверяться с отсоединенным шлифовальным оборудованием



- Используйте регулятор давления во избежание превышения скорости
- Соединения и шланги должны быть в исправном состоянии

Установка абразивных материалов

⚠ ПРЕДУПРЕЖДЕНИЕ Воздух под давлением может причинить вред здоровью

- ▶ Всегда отключайте подачу воздуха, выпускайте сжатый воздух из шланга и отсоединяйте инструмент от линии подключения воздуха, если не используете его, меняете принадлежности, настраиваете или ремонтируете

⚠ ПРЕДУПРЕЖДЕНИЕ Несоответствующий абразивный материал может разорваться и причинить тяжкий вред здоровью или даже смерть

- ▶ Используйте подложки и абразивы с разрешенной скоростью равной или выше скорости вращения инструмента
- ▶ Не используйте не предназначенные производителем для данного инструмента подложки и абразивные материалы (не допускаются отрезные диски или фрезы). См. раздел *Дизайн и назначение*.

- Используйте только рекомендованные размеры и типы абразивов
- Не используйте поврежденные круги
- Соблюдение правил установки кругов предотвращает возможный ущерб здоровью
- Используйте только грунтованные зачистные круги или ленты, соответствующие подложке инструмента. Убедитесь, что самофиксиру-

щие диски устанавливаются соосно центру инструменту

Правильная работа с зачистной машиной

Прочтите раздел *Инструкции по технике безопасности* перед началом использования зачистной машины.



⚠ ПРЕДУПРЕЖДЕНИЕ Несоблюдение правил работы с инструментом может стать причиной серьезного вреда здоровью или даже смерти

- ▶ При использовании инструмента с защитным кожухом располагайте кожух так, чтобы он защищал от летящих стружек и других отходов процесса обработки
- ▶ Убедитесь, что обрабатываемая деталь хорошо закреплена
- ▶ Убедитесь, что искры не причинят вреда людям или материалам
- ▶ Есть риск получения электростатического разряда, если работа происходит с пластиковой деталью или деталью из другого непроводящего материала
- ▶ Необходимо использовать индивидуальные средства защиты, как это описано в разделе *Индивидуальные средства защиты*
- ▶ Подскользывание, спотыкание и падение являются основными причинами серьезных повреждений. Будьте осторожны в проходе или в рабочей зоне, если используется шланг излишней длины.
- ▶ Будьте внимательны при проходе через незнакомое место, т.к. там возможно наличие незаметных электрических или других применяемых линий
- ▶ Ступайте с четким сохранением равновесия
- ▶ Быстро прекращайте работу с инструментом при наличии излишней вибрации или неправильно установленной насадки
- ▶ Держитесь подальше от вращающихся валов и абразивов. Ввиду того, что вал вращается по инерции еще какое-то время после отключе-

ния, кладите инструмент только после полной остановки вала

- ▶ Учитывайте, что оставшийся в шланге воздух может стать причиной случайного запуска
- ▶ Отключайте инструмент заранее, если предвидится отключение воздуха

Обслуживание

Защита от коррозии и внутренняя очистка

Вода в сжатом воздухе, пыль и отдельные частицы могут вызвать коррозию и загрязнение лопаток, клапанов и т.д.

Это решается путем добавления в подаваемый воздух нескольких капель масла и работой инструмента в течение 5-10 секунд. Излишнее количество масла собирается в кусок ткани. **Это необходимо делать перед длительным простоем инструмента.**

Смазка

В конструкции инструмента используется угловой редуктор, в котором применяется полужидкая консистентная смазка для увеличения износостойкости. Для устранения вероятности протечек вследствие увеличения температуры и повреждения уплотнителей отсутствует заправочный ниппель. Для смены смазки необходимо снимать вал с угловым редуктором и менять смазку каждые 200 часов работы.

Для соблюдения соответствующих свойств используйте полужидкую консистентную смазку Urethyn GE00. Необходимое количество смазки максимум 7см³.

ⓘ Не используйте смазку для шарикоподшипников или корпуса.

Руководство по смазке

Используйте смазки высокого качества. В таблице приведены некоторые рекомендуемые виды применяемых масел и консистентных смазок.

Производитель	Назначение Подшипники	Смазка через воздух
BP	Energrease LS-EP2	Energol E46
Castrol	Spheerol EP L2	
Esso	Beacon EP2	Arox EP46
Q8	Rembrandt EP2	Chopin 46
Mobil	Mobilegrease XHP 222	Almo oil 525
Shell	Alvania EP2	Tonna R32
Texaco	Multifak EP2	Aries 32
Molycote	BR2 Plus	

Осмотр

⚠ ПРЕДУПРЕЖДЕНИЕ Превышение скорости может привести к серьезным травмам или даже смерти

- ▶ При использовании регулятора скорости проверьте его соответствие данной модели. Несотответствие может привести регулятор к быстрому выходу из строя
- ▶ Не разбирайте детали инструмента, влияющие на безопасность его работы, например, регулятор скорости или механизм отключения по превышению скорости. При выходе из строя эти детали заменяются полностью
- ▶ После сервисного обслуживания всегда проверяйте скорость свободного вращения. См. раздел *Подготовка перед использованием зачистной машины*

При планово-предупредительном ремонте меняйте смазку в угловом редукторе каждые 200 часов работы. См. указания в разделе *Смазка*.

Каждые 6 месяцев инструмент должен проходить сервисное обслуживание. При интенсивном использовании или при несоответствующей работе инструмент проходит более частую проверку.

Проверяйте кромки уплотнителей и места вокруг них на предмет износа, т.к. это существенно для поддержания смазки редуктора на необходимом уровне.

Для предотвращения засорения и потери производительности инструмента необходимо также часто проверять и очищать фильтр во входном канале.

- ❗ **Очистите детали двигателя и нанесите на лопасти, внутреннюю поверхность и торцевую крышку масло, обычно подаваемое через воздух.**
Соберите двигатель и проверьте его на холостом ходу. Добавьте пару капель масла во входной канал и запустите двигатель на 5-10 секунд.

Полезные сведения

На нашем веб-узле вы найдете всю необходимую информацию о продуктах, принадлежностях, запчастях Pro, а также опубликованные материалы!

 **Посетите веб-сайт www.pro-powertools.com**

Технические данные

Шумовое и вибрационное излучение

Шум (в соответствии с документом PN8NTC1.2) дБА	
Уровень звукового давления	75
Уровень звуковой мощности	-
Погрешность	Noise spread
	-
	volume

Значение полной вибрации, действительно с 2010 г.

(значение по трем осям в соответствии с документом Vibration according new - volume)		м/с ²
Значение вибрации	Vibration value new - volume	
Погрешность	Vibration spread new - volume	

Значение вибрации, действительно до конца 2009 г.

(значение по одной оси в соответствии с документом EN/ISO 8662-8)		м/с ²
Значение вибрации		<2.5

Декларация по шумам и вибрации

Заявленные значения были получены при помощи лабораторных тестов, проведенных в соответствии с установленными стандартами, могут быть использованы для сравнения с заявленными значениями, полученными при испытании других инструментов в соответствии с теми же стандартами. Эти заявленные значения неприменимы для оценки риска; результаты фактических измерений при работе на индивидуальном рабочем месте могут быть выше. Фактические значения воздействия и риск ущерба, которым подвергается пользователь, индивидуальны и зависят от метода работы, изделия и устройства рабочего места, а также от времени воздействия и физического состояния пользователя.

Мы, Atlas Copco Tools AB, не несем ответственность за последствия, если в расчет принимаются заявленные значения, а не значения, отражающие фактическое воздействие, в оценке риска на рабочем месте, ситуация на котором не входит в нашу зону ответственности.

При неправильной работе с этим инструментом он может вызвать вибрационный синдром рук/кистей. Рекомендации EU по вибрационному синдрому рук/кистей можно найти здесь: <http://www.humanvibration.com/EU/VIBGUIDE.htm>

Мы рекомендуем программу контроля за здоровьем, которая обеспечивает раннее обнаружение симптомов вредного воздействия вибрации и позволяет своевременно пересмотреть процедуры обслуживания, чтобы предотвратить дальнейшее ухудшение.

Instrukcje dotyczące bezpieczeństwa

Ważne informacje dotyczące bezpiecznego użytkowania

Instrukcje te dotyczą instalacji, obsługi, eksploatacji oraz konserwacji produktu oraz przeznaczonego do niego osprzętu i akcesoriów wymiennych.



- Jest rzeczą niezwykle istotną, aby operator przeczytał i dokładnie przyswoił sobie niniejsze instrukcje przed rozpoczęciem eksploatacji tego produktu.
- Instrukcje te należy przechowywać zabezpieczone do ewentualnego wykorzystania w przyszłości i należy zapewnić operatorowi nieograniczony dostęp do nich.
- Postępowanie niezgodne z niniejszymi instrukcjami może spowodować poważne zagrożenia

Naszym celem jest produkowanie narzędzi, które pomogą pracować bezpiecznie i efektywnie.

Najważniejszym systemem bezpieczeństwa dla tych i innych narzędzi jest OPERATOR.

Wykazywana przez operatora dbałość i prawidłowa ocena sytuacji są najlepszą ochroną przed odniesieniem obrażeń ciała.

Z uwagi na warunki gwarancji oraz ze względów bezpieczeństwa zabronione jest modyfikowanie tego narzędzia. Wyłącznie wykwalifikowani i odpowiednio przeszkoleni operatorzy powinni być dopuszczeni do instalacji, regulacji i eksploatacji tego narzędzia.

Nie ma możliwości opisanego w niniejszej instrukcji wszystkich możliwych zagrożeń, lecz spróbujemy niektóre z najważniejszych uwypuklić. Sodontkowych informacji dotyczących bezpieczeństwa prosimy szukać:

- W innych dokumentach i materiałach informacyjnych dołączonych do opakowania razem z tym narzędziem
- U pracodawcy lub w odpowiednim stowarzyszeniu, bądź organizacji zawodowej
- W odpowiednich dokumentach normatywnych, wymienionych w dołączonej *Deklaracji zgodności WE*

Dodatkowe informacje dotyczące bezpieczeństwa i higieny pracy można uzyskać z następujących witryn:

<http://www.osha.gov> (USA)

<http://europe.osha.eu.int> (Europa)

Terminy opisujące zagrożenia

Terminy opisujące zagrożenia, mają następujące znaczenia:

NIEBEZPIECZEŃSTWO	Opisuje niebezpieczną sytuację, która powoduje śmierć lub poważne uszkodzenia ciała.
UWAGA	Opisuje niebezpieczną sytuację, która może spowodować śmierć lub poważne uszkodzenia ciała.
OSTRZEŻENIE	Opisuje niebezpieczną sytuację, która może spowodować lekkie lub średnie uszkodzenia ciała.

Osobiste środki ostrożności i wymagane kwalifikacje

Instalacja, przechowywanie, obsługa techniczna i utylizacja

Instalacja, przechowywanie, obsługa techniczna i utylizacja niniejszego produktu mogą być wykonywane wyłącznie przez osoby, które:

- są w stanie fizycznie poradzić sobie z wielkością, ciężarem i mocą narzędzia.
- posiadają znajomość odpowiednich przepisów bezpieczeństwa i zapobiegania wypadkom, obowiązujących w danym kraju
- przeczytały i przyswoiły sobie instrukcję obsługi.

Obsługa

Niniejszy produkt może być obsługiwany wyłącznie przez wykwalifikowanych operatorów. Uważa się, że operatorzy posiadają odpowiednie kwalifikacje jeżeli:

- są w stanie fizycznie poradzić sobie z wielkością, ciężarem i mocą narzędzia.
- odbyli przeszkolenie w zakresie obsługi produktu zgodnie z postanowieniami dyrektyw obowiązujących w danym kraju
- posiadają znajomość odpowiednich przepisów bezpieczeństwa i zapobiegania wypadkom, obowiązujących w danym kraju
- przeczytali i przyswoili sobie instrukcję obsługi produktu.

Osobiste wyposażenie ochronne.

⚠ UWAGA Ryzyko wciągnięcia przez ruchome elementy urządzenia

- ▶ Nie zakładać luźnej odzieży ani biżuterii.
- ▶ Galanterię i biżuterię noszoną na szyi należy trzymać z daleka od narzędzia i akcesoriów, aby uniknąć niebezpieczeństwa uduszenia
- ▶ Włosy należy trzymać z daleka od narzędzia i akcesoriów, aby uniknąć niebezpieczeństwa oskalpowania

Osobiste wyposażenie ochronne musi spełniać wymagania odpowiednich przepisów dotyczących bezpieczeństwa i ochrony zdrowia.

Należy zawsze nosić następujące wyposażenie ochronne:

- Kask
- Środki ochrony słuchu
- Okulary ochronne z osłonami bocznymi
- Rękawice ochronne
- Obuwie ochronne

Narkotyki, alkohol i środki farmaceutyczne

Narkotyki, alkohol i środki farmaceutyczne mogą upośledzić prawidłową ocenę sytuacji oraz zdolność koncentracji.

⚠ UWAGA Nieprawidłowe reakcje i niewłaściwa ocena sytuacji mogą doprowadzić do poważnego wypadku lub śmierci

- ▶ Nie wolno eksploatować produktu będąc pod wpływem narkotyków, alkoholu lub leków.
- ▶ Nie wolno dopuścić do eksploatacji produktu przez inne osoby będące pod wpływem narkotyków, alkoholu lub leków.

Instalacja, obsługa i konserwacja: środki ostrożności

⚠ UWAGA Substancje i gazy wybuchowe, niebezpieczeństwo eksplozji

W przypadku kontaktu produktu z substancjami wybuchowymi może nastąpić wybuch. Może to spowodować poważne obrażenia ciała lub śmierć.

Podczas eksploatacji produktu mogą powstawać iskry mogące spowodować detonację wysoce łatwopalnych pyłów i gazów oraz doprowadzić do pożarów i wybuchów.

- ▶ Nie wolno eksploatować produktu w pobliżu substancji wybuchowych
- ▶ Nie wolno pracować w środowisku łatwopalnym, bądź wybuchowym
- ▶ Należy sprawdzić, czy w miejscu wykonywania prac nie ma ukrytych źródeł gazu

⚠ UWAGA Porażenie prądem elektrycznym

W przypadku zetknięcia się produktu z instalacjami elektrycznymi lub innymi źródłami prądu, istnieje ryzyko śmierci lub ciężkich obrażeń ciała.

- ▶ Nie wolno pracować w pobliżu instalacji elektrycznych lub innych źródeł energii elektrycznej
- ▶ Należy sprawdzić, czy w miejscu wykonywania prac nie ma ukrytych instalacji elektrycznych

⚠ UWAGA Zagrożenie spowodowane pyłem

W stanie Kalifornia wiadomo, że niektóre pyły, wierzwi i inne drobiny unoszące się w powietrzu pod-

czas szlifowania, piłowania, wygładzania papierem ściernym, wiercenia i innych czynności wykonywanych podczas prac konstrukcyjnych, powodują raka, wady wrodzone i inne zaburzenia rozrodu. Niektóre z takich substancji chemicznych to:

Krzemionka krystaliczna, cement i inne materiały murarskie.

Arsen i chrom pochodzące z chemicznie przetwarzanej gumy.

Ołów pochodzący z farb ołowiowych.

- ▶ Aby zmniejszyć narażenie na oddziaływanie tych substancji chemicznych, należy pracować w dobrze wentylowanych miejscach i używać atestowanego wyposażenia ochronnego, np. masek przeciwpyłowych, przeznaczonych do zatrzymywania mikroskopijnych cząsteczek.
- ▶ Należy unikać wdychania pyłu i dotykania odpadów powstałych podczas pracy, ponieważ może to stanowić zagrożenie dla zdrowia
- ▶ Podczas pracy z materiałami powodującymi powstawanie cząsteczek unoszących się w powietrzu, należy używać układów wyciągu pyłów, np. sprzętu odsysania miejscowego.
- ▶ Atmosfera potencjalnie zagrożona wybuchem może powstać w wyniku unoszenia się w powietrzu pyłu i wierzwi pochodzących ze szlifowania lub czyszczenia powierzchni papierem ściernym. Podczas obróbki, należy zawsze stosować układy wyciągowe lub zapobiegające powstawaniu pyłu, odpowiednie do rodzaju materiału podawanego obróbce.

⚠ UWAGA Niebezpieczeństwo ugodzenia odłamkiem obrabianego materiału

Podczas szlifowania, piłowania, wygładzania papierem ściernym, wiercenia i innych czynności wykonywanych podczas prac konstrukcyjnych, iskry, opiłki, odpryski tarczy szlifierskich i inne cząstki mogą być wyrzucane w powietrze i spowodować obrażenia ciała, ugodzając operatora lub inne osoby.

Nawet niewielkie przedmioty wyrzucone w powietrze mogą spowodować obrażenia oczu i utratę wzroku.

- ▶ Należy zawsze nosić odporne na uderzenia środki ochrony twarzy i wzroku podczas użycia narzędzia lub znajdowania się w pobliżu eksploatacji lub naprawy narzędzia, bądź dokonywania zmiany jego akcesoriów.
- ▶ Należy stosować osłony, aby zabezpieczyć innych przed odpryskami tarczy i iskrami powstającymi przy szlifowaniu.
- ▶ Należy upewnić się, czy inne osoby znajdujące się w pobliżu noszą odporne na uderzenia środki ochrony wzroku i twarzy.

⚠ UWAGA Zagrożenia wynikające z hałasu

Wysokie natężenia hałasu mogą spowodować trwałą utratę słuchu.

- ▶ Należy stosować środki ochrony słuchu zgodnie z przepisami bezpieczeństwa i higieny pracy

⚠ UWAGA Zagrożenia wynikające z drgań

Narażenie na działanie drgań może spowodować uszkodzenie nerwów i upośledzenie krążenia krwi w dłoniach i ramionach.

- ▶ Powtarzalne ruchy podczas pracy, niewygodna pozycja i narażenie na działanie drgań mogą być szkodliwe dla rąk i ramion. W razie występowania zdrtwienia, mrowienia, bólu lub zblednięcia należy przestać korzystać z narzędzia i skontaktować się z lekarzem.
- ▶ Nie należy używać końcówek wymiennych ze zgiętymi uchwytami
- ▶ Jeżeli to możliwe, używać narzędzi z tłumikami drgań
- ▶ Ograniczyć do minimum czas narażenia na działanie drgań

Informacje ogólne**Konstrukcja i przeznaczenie**

Ta szlifierka jest przeznaczona wyłącznie do współpracy z materiałami ściernymi i podkładkami do nich. Model ten posiada smarowanie. Tej maszyny, elementów dodatkowych i akcesoriów należy używać wyłącznie zgodnie z ich przeznaczeniem. Każde inne użycie jest zabronione.

- Nie wolno używać tarcz szlifierskich ani tarcz do cięcia, jeżeli szlifierka nie posiada osłony tarczy
- Nie wolno stosować tarcz pochodzących z pił tarczowych ani innych narzędzi tnących nieprzeznaczonych do użycia wraz z narzędziem

Znaki i naklejki

Maszyna wyposażona jest w znaki i naklejki zawierające ważne informacje dotyczące bezpieczeństwa ludzi i konserwacji maszyny. Znaki i naklejki powinny być zawsze czytelne. Nowe znaki i naklejki można zamówić z listy części zamiennych.

**DEKLARACJA ZGODNOŚCI WE**

My, Atlas Copco Tools AB, S-105 23 SZTOKHOLM SZWECJA oświadczamy z pełną odpowiedzialnością, że nasz produkt (typ i numer seryjny, patrz pierwsza strona), również w połączeniu z naszymi

akcesoriami, do których odnosi się niniejsza deklaracja, jest zgodny z normą(-ami):

EN 792-8

oraz z następującą(-cymi) dyrektywą(-ami):

2006/42/EC

Stockholm, 29 grudnia 2009 r

Lennart Remnebäck, Główny menedżer

Podpis osoby zatwierdzającej

Instalacja**Jakość powietrza**

- Dla uzyskania optymalnej wydajności i maksymalnej żywotności produktu zaleca się używanie sprężonego powietrza, dla którego punkt rosy znajduje się w zakresie od +2 °C do +10 °C. Zaleca się instalację chłodniczego osuszacza powietrza firmy Atlas Copco
- Użycie osobnego filtra powietrza typu Atlas Copco FIL, spowoduje usunięcie cząstek stałych większych niż 15 mikronów oraz ponad 90% wody; urządzenie należy zainstalować jak najbliżej produktu, przed innymi urządzeniami do przygotowania powietrza, takimi jak REG lub DIM (więcej informacji zawiera punkt dotyczący akcesoriów pneumatycznych w katalogu głównym). Przed podłączeniem wąż należy przedmuchać.

Modele smarowane:

- Sprężone powietrze musi zawierać niewielką ilość oleju. Zdecydowanie zaleca się, aby zamontować smarownicę olejową (mgła olejowa) DIM firmy Atlas Copco, ustawioną normalnie na 3-4 krople (50 mm³) dla narzędzi o długim cyklu pracy lub smarownicę punktową typu Dosol firmy Atlas Copco dla narzędzi o krótkim cyklu pracy. Nastawy dla smarownicy typu Dosol zawiera punkt dot. akcesoriów pneumatycznych w katalogu głównym.

Złącza sprężonego powietrza**⚠ UWAGA Sprężone powietrze spowodować poważne obrażenia ciała**

- ▶ Przed dokonaniem naprawy lub zmiany ustawień produktu np. przed zmianą akcesoriów należy zawsze wyłączyć dopływ powietrza i odłączyć narzędzie od źródła zasilania w powietrze.

- ▶ Nigdy nie kieruj wylotu powietrza na siebie lub kogokolwiek innego

⚠ UWAGA Niekontrolowane ruchy nieumocowanego węża, z którego wypływa powietrze mogą spowodować poważne obrażenia ciała

- ▶ Należy zawsze sprawdzać przewody elastyczne pod względem uszkodzeń i prawidłowości mocowania

Sprawdzenie ciśnienia powietrza:

- Ciśnienie robocze (e) maszyny wynosi 6–7 bar = 600–700 kPa = 87–102 psig
- Ciśnienie powietrza na wlocie uruchomionego narzędzia nie może przekraczać maksymalnego podanego ciśnienia roboczego o wartości 7 bar (700 kPa, 102 psig)
- Przed podłączeniem wąż należy przedmuchać

Obsługa

Patrz również rysunek w *Instrukcjach serwisowych*

Przygotowania szlifierki do eksploatacji

Prawidłowe działanie szlifierki

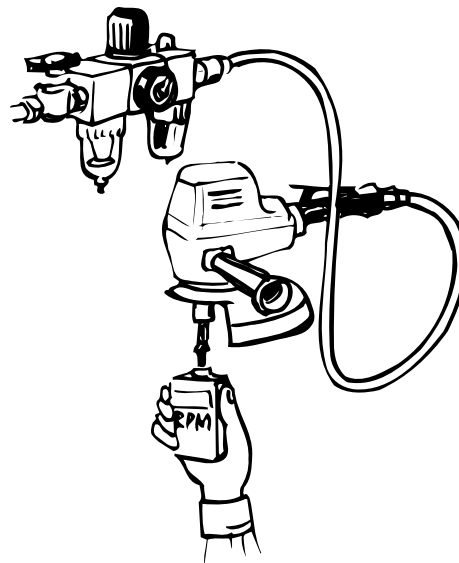
⚠ UWAGA Przekroczenie dopuszczalnej prędkości obrotowej może spowodować poważne obrażenia ciała lub śmierć

- ▶ Nie należy przekraczać maksymalnej dopuszczalnej prędkości obrotowej, której wartość umieszczona jest na narzędziu

Sprawdzenia szlifierki powinny być przeprowadzane wyłącznie przez profesjonalny personel techniczny. Personel ten powinien posiadać zgodne z krajowymi dyrektywami uprawnienia w zakresie przeprowadzania sprawdzeń narzędzi tego typu i obsługi układów pneumatycznych.

- Obroty bez obciążenia narzędzia należy sprawdzać codziennie oraz za każdym razem po wykonaniu

obsługi serwisowej. Kontrola powinna być wykonywana bez osprzętu szlifierki



- Stosować regulator ciśnienia zapobiegający wytwarzaniu nadmiernego ciśnienia powietrza grożącego przekroczeniem obrotów znamionowych
- Złącza i przewód powietrza powinny być w dobrym stanie

Wymienne końcówki ściernie

⚠ UWAGA Sprężone powietrze spowodować poważne obrażenia ciała

- ▶ Przed dokonaniem naprawy lub zmiany ustawień maszyny np. przed zmianą akcesoriów należy zawsze wyłączyć dopływ powietrza i odłączyć narzędzie od źródła zasilania w powietrze.

⚠ UWAGA Niewłaściwe materiały ściernie mogą zostać wyrzucone w powietrze i spowodować poważne zranienie lub nawet śmierć

- ▶ Należy stosować tarcze ściernie i podkładowe w sporcze o dopuszczalnych obrotach równych obrotom szlifierki lub wyższych.
- ▶ Nie używać materiałów ściernych lub podkładek w sporczych innych niż zalecane przez producenta (ściernic do cięcia ani frezów chwytowych). Patrz punkt *Konstrukcja i przeznaczenie*.
- Należy stosować wyłącznie zalecane rodzaje i wielkości materiałów ściernych
- Nie wolno używać tarcz montażowych posiadających wyszczerbienia, pęknięcia lub które mogły zostać upuszczone
- Prawidłowy montaż jest niezbędny, aby uniknąć obrażeń ciała spowodowanych pękniętymi tarczami szlifierskimi
- Należy używać wyłącznie tarcz ściernych z materiałem ściernym naniesionym powierzchniowo lub arkuszy prawidłowo przymocowanych do

podkładki dołączonej do szlifierki pneumatycznej. Należy zwrócić uwagę, aby samoprzylepne tarcze szlifierskie były zamocowane koncentrycznie

Prawidłowa obsługa szlifierki

Przed użyciem szlifierki należy przeczytać punkt *Instrukcje dotyczące bezpieczeństwa*.



⚠ UWAGA Postępowanie niezgodnie z prawidłowymi praktykami może spowodować poważne obrażenia ciała lub śmierć

- ▶ Podczas użycia narzędzia wyposażonego w osłonę, osłona ta musi znajdować się we właściwym położeniu, aby zapewniać ochronę przed opiłkami i innymi odpadami wyrzucanymi w powietrze
- ▶ Upewnij się, że obrabiany przedmiot jest solidnie zamocowany.
- ▶ Upewnij się, że iskry nie stanowią zagrożenia dla ludzi lub materiałów
- ▶ W przypadku użycia narzędzia na podłożu wykonanym z plastiku lub innych materiałów nieprzewodzących elektryczności istnieje ryzyko wyładowania elektrostatycznego
- ▶ Należy zawsze używać osobistego wyposażenia ochronnego w sposób opisany w punkcie *Osobiste wyposażenie ochronne*
- ▶ Główną przyczyną poważnych obrażeń lub śmierci jest poślizgnięcie/wywrócenie/upadek. Należy uważać na luźne przewody elastyczne pozostawione na przejściach lub na powierzchniach roboczych
- ▶ Należy zachować ostrożność w nieznanym otoczeniu. Mogą tam znajdować się ukryte niebezpieczeństwa np. przewody elektryczne lub inne instalacje zasilające
- ▶ Zawsze należy zwracać uwagę na zachowanie równowagi i właściwą przyczepność podłoża
- ▶ Należy szybko reagować na nadmierne drgania, wynikające z uszkodzenia lub nieprawidłowego zamocowania osprzętu wymiennego
- ▶ Trzymać się z dala od obracającego się wrzeciona i materiałów ściernych. Obroty mogą utrzymywać się przez kilka sekund po zwolnieniu przepustnicy.

Nie wolno odkładać narzędzia przed ustaniem obrotów

- ▶ Należy pamiętać, że sprężone powietrze uwięzione w przewodzie może doprowadzić do przypadkowego uruchomienia
- ▶ Zwolnić urządzenie sterujące w przypadku awarii zasilania

Konserwacja

Ochrona przed rdzą i czyszczenie elementów wewnętrznych

Woda w sprężonym powietrzu, pył i cząstki, powstające w miarę zużycia części, powodują powstawanie rdzy i blokowanie łopatek, zaworów itp.

Problem ten może zostać rozwiązany poprzez nasmarowanie olejem (kilka kropel), uruchomienie narzędzia na 5-10 sekund i zebranie oleju za pomocą ściereczki. **Czynność tę należy wykonać przed dłuższym okresem przestoju**

Smarowanie

Maszyna jest wyposażona w przekładnię zębatą kątową, która jest smarowana za pomocą półpłynnego smaru dla zwiększenia odporności na zużycie. Aby uniknąć przepelnienia, co mogłoby spowodować nadmierny wzrost temperatury i uszkodzenie uszczeltek, nie zastosowano końcówki smarowniczej. Zamiast tego, smar należy wymieniać co 200 godzin pracy przez wymontowanie wrzeciona przekładni kątowej.

Dla zachowania odpowiednich właściwości smarnych, zaleca się stosowanie półpłynnego smaru Urethyn GE00. Wymagana ilość smaru to maks. 7cm³.

ⓘ Nie należy stosować smaru do łożysk kulkowych ani smaru do podwozi.

Wskazówki dotyczące smarowania

Należy używać smarów wysokiej jakości. W tabeli smarów podano przykładowe zalecane oleje i smary.

Marka	Zastosowanie ogólne Łożyska	Smarowanie pneu- matyczne
BP	Energrease LS-EP2	Energol E46
Castrol	Spheerol EP L2	
Esso	Beacon EP2	Arox EP46
Q8	Rembrandt EP2	Chopin 46
Mobil	Mobilegrease XHP 222	Almo oil 525
Shell	Alvania EP2	Tonna R32
Texaco	Multifak EP2	Aries 32
Molycote	BR2 Plus	

Naprawa

⚠ UWAGA Przekroczenie dopuszczalnej prędkości obrotowej może spowodować poważne obrażenia ciała lub śmierć

- ▶ W przypadku zastosowania regulatora obrotów należy sprawdzić, czy zamontowany został właściwy regulator. Niestaranna obsługa może doprowadzić do jego uszkodzenia
- ▶ Nie należy demontować części zabezpieczających np. regulatora prędkości lub układu odcięcia nadmiernej prędkości. W przypadku stwierdzenia uszkodzenia te części należy wymienić w całości.
- ▶ Po zakończeniu serwisu maszyny zawsze należy sprawdzić obroty bez obciążenia. Patrz punkt *Przygotowania szlifierki do eksploatacji*

W ramach konserwacji prewencyjnej smar w przekładni kątowej należy wymieniać co ok. 200 godzin pracy. Patrz instrukcje w punkcie *Smarowanie*.

Całą maszynę należy systematycznie sprawdzać raz na sześć miesięcy. Jeżeli maszyna jest eksploatowana w trudnych warunkach lub jeżeli nie jest działająca w właściwy sposób, należy częściej ją wyłączać i poddawać przeglądowi.

Sprawdzić uszczelkę i sąsiednią kolumnę pod kątem zużycia. Uszczelka ma krytyczne znaczenie dla utrzymania smaru w przekładni.

Filtr zgrubny na wlocie powietrza należy często czyścić, aby uniknąć zatkania przewodu i spadku wydajności.

- ① **Oczyszczyć części silnika i nanieść cienką warstwę oleju do smarowania pneumatycznego na łopatki i wewnętrzne powierzchnie cylindra oraz na płytki końcowe.**
Zmontować silnik i sprawdzić, czy obraca się lekko. Wpuścić dwie krople oleju przez wlot powietrza i uruchomić silnik (narzędzie) na biegu jałowym na ok. 5 do 10 sekund.

Przydatne informacje

Na naszej stronie WWW można znaleźć wszelkie informacje dotyczące narzędzi firmy Pro, akcesoriów, części zamiennych!

 **Zaloguj się na stronie firmy**
www.pro-powertools.com

Dane techniczne

Emisja drgań i hałasu

Hałas (zgodnie z PN8NTC1.2)	dBA
Poziom ciśnienia akustycznego	75
Poziom mocy akustycznej	-
Niepewność pomiaru	Noise spread - volume

Całkowita wielkość drgań, obowiązująca od 2010 roku

(wartość 3-osiowa zgodnie z Vibration according new - volume)	m/s ²
Wielkość drgań	Vibration value new - volume
Niepewność pomiaru	Vibration spread new - volume

Wielkość drgań, obowiązująca do 2009 roku (wartość 1-osiowa zgodnie z EN/ISO 8662-8)

Wielkość drgań	m/s ²
Wielkość drgań	<2.5

Oświadczenie o poziomie hałasu i drgań

Przedstawione wartości uzyskano w oparciu o badania przeprowadzone w warunkach laboratoryjnych, zgodnie z wymienionymi normami; mogą one być porównywane z deklarowanymi wartościami innych narzędzi przebadanymi zgodnie z tymi samymi normami. Przedstawione wartości nie powinny służyć do oceny zagrożenia, a wartości zmierzone w danym miejscu pracy mogą być wyższe. Wartość rzeczywistego działania szkodliwych czynników oraz ryzyko odniesienia obrażeń jest kwestią indywidualną i zależną od sposobu pracy danej osoby, narzędzi, stanowiska pracy oraz stanu zdrowia.

, Atlas Copco Tools AB, nie ponosi odpowiedzialności za konsekwencje mogące wynikać z wykorzystania przedstawionych wartości przy indywidualnej ocenie zagrożenia w miejscu pracy, zamiast wykorzystania wartości rzeczywistych.

W przypadku niewłaściwego użytkowania, narzędzie może powodować syndrom drgań przekazywanych na kończyny górne (ang. hand-arm vibration) Poradnik unijny dotyczący emisji drgań przekazywanych na kończyny górne można odnaleźć na stronie <http://www.humanvibration.com/EU/VIBGUIDE.htm>

Zalecamy przeprowadzanie badań okresowych, mających na celu wykrycie objawów związanych z

działaniem drgań, aby umożliwić zmianę procedur i zapobiec dalszemu pogorszeniu stanu zdrowia.

Bezpečnostné pokyny

Dôležité informácie na bezpečné používanie

Tieto pokyny sa týkajú inštalácie, prevádzky, manipulácie a údržby výrobku, vkladných/upevňovacích nástrojov a vybavenia.



- Pred použitím výrobku je nevyhnutné si dôkladne prečítať tieto pokyny a porozumieť im.
- Tieto pokyny uschovajte na bezpečnom mieste na budúce použitie a zabezpečte, aby k nim mal pracovník obsluhy vždy prístup.
- Nedodržanie týchto pokynov môže mať za následok vážne nebezpečenstvo.

Naším cieľom je vyrábať nástroje, ktoré vám pomôžu pracovať bezpečne a efektívne.

Najdôležitejším bezpečnostným prvkom pri každom nástroj ste VY.

Opatrnosť a dobrý úsudok sú najlepšou ochranou pred úrazom.

Tento elektrický nástroj sa z dôvodov záruky a bezpečnosti nesmie upravovať. Tento nástroj by mali inštalovať, nastavovať a používať iba kvalifikovaní a zaškolení pracovníci.

V týchto pokynoch nie je možné uviesť všetky možné riziká, chceli by sme však z nich zdôrazniť tie najzávažnejšie. Ďalšie bezpečnostné informácie nájdete:

- v ostatnej dokumentácii a medzi informáciami dodanými k tomuto nástroju,
- u svojho zamestnávateľa, vo zväze alebo obchodnom združení,
- v príslušných normách uvedených v časti *Vyhlásenie o zhode EC*.

Ďalšie informácie týkajúce sa zdravia a bezpečnosti pri práci nájdete na nasledujúcich webových stránkach:

<http://www.osha.gov> (USA)

<http://europe.osha.eu.int> (Európa)

Názvy bezpečnostných označení

Označenia bezpečnostných signálov ako Nebezpečie, Výstraha a Upozornenie majú nasledujúci význam:

NEBEZPEČIE	Označuje nebezpečnú situáciu, ktorá ak jej nezabráňime, bude mať za následok smrť, alebo vážne následky.
VÝSTRAHA	Označuje nebezpečnú situáciu, ktorá ak jej nezabráňime, môže mať za následok smrť, alebo vážne následky.
UPOZORNENIE	Označuje nebezpečnú situáciu, ktorá ak jej nezabráňime, môže mať za následok menšie, alebo stredné poranenia.

Osobné opatrenia a kvalifikácia

Inštalácia, skladovanie, údržba a likvidácia

Inštaláciu, uskladnenie, údržbu a likvidáciu tohto výrobku môžu vykonávať iba osoby, ktoré:

- sú fyzicky schopné manipulovať s veľkosťou, hmotnosťou a výkonom tohto nástroja,
- poznajú všetky súvisiace bezpečnostné pokyny a preventívne pokyny na predchádzanie úrazom platné v danej krajine,
- si prečítali prevádzkové pokyny a porozumeli im.

Prevádzka

Pracovať s týmto výrobkom môžu iba kvalifikovaní pracovníci. Pracovníci sú kvalifikovaní, ak:

- sú fyzicky schopní manipulovať s veľkosťou, hmotnosťou a výkonom tohto nástroja,
- sú zaškolení na prácu s týmto výrobkom v súlade s predpismi platnými v danej krajine,
- poznajú všetky súvisiace bezpečnostné pokyny a preventívne pokyny na predchádzanie úrazom platné v danej krajine,
- si prečítali prevádzkové pokyny a porozumeli im.

Osobné ochranné prostriedky

⚠ VÝSTRAHA Nebezpečenstvo zamotania

- ▶ Nenoste šperky a voľné oblečenie.
- ▶ Na zabránenie uduseniu sa musí nástroj a príslušenstvo udržiavať v dostatočnej vzdialenosti od golierov a šatiek.
- ▶ Na zabránenie vytrhnutiu vlasov sa musí nástroj a príslušenstvo udržiavať v dostatočnej vzdialenosti od vlasov.

Osobné ochranné prostriedky musia byť v súlade s platnými zdravotnými a bezpečnostnými predpismi.

Vždy noste nasledovné osobné ochranné prostriedky:

- bezpečnostnú prilbu,
- chrániče sluchu,
- bezpečnostné okuliare s bočnou ochranou,
- ochranné rukavice,
- bezpečnostnú obuv.

Drogy, alkohol a lieky

Drogy, alkohol a lieky môžu negatívne ovplyvniť úsudok a koncentráciu.

⚠ VÝSTRAHA Pomalé reakcie a nesprávny odhad môžu viesť k vážnym nehodám alebo smrti

- ▶ Keď ste pod vplyvom drog, alkoholu alebo liekov, s týmto výrobkom nikdy nepracujte.
- ▶ Zabráňte ďalším osobám v používaní tohto výrobku, ak sú pod vplyvom drog, alkoholu alebo liekov.

Inštalácia, prevádzka a údržba: opatrenia

⚠ VÝSTRAHA Výbušniny a výbušné plyny, nebezpečenstvo explózie

Ak dôjde ku kontaktu výrobku s výbušninami, môže nastať explózia. Explózie môžu viesť k vážnym úrazom alebo smrti.

Pri práci s výrobkom odskakujú iskry, ktoré môžu spôsobiť výbuch horľavého prachu alebo plynu a spôsobiť požiar alebo explóziu.

- ▶ S výrobkom nikdy nepracujte v blízkosti výbušnín.
- ▶ Nikdy nepracujte vo vysokohorľavom alebo výbušnom prostredí.
- ▶ Presvedčíte sa, že sa v pracovnom priestore nenachádzajú žiadne skryté zdroje plynov.

⚠ VÝSTRAHA Úraz elektrickým prúdom

Ak dôjde ku kontaktu výrobku s elektrickými obvodmi alebo ďalšími zdrojmi elektrickej energie, hrozí nebezpečenstvo vážneho úrazu alebo smrti.

- ▶ Nikdy nepracujte v blízkosti elektrických obvodov alebo ďalších zdrojov elektrickej energie.
- ▶ Presvedčíte sa, že sa v pracovnom priestore nenachádzajú žiadne skryté elektrické obvody.

⚠ VÝSTRAHA Nebezpečenstvo prachu

Niektoré typy prachu, výparov alebo ďalších materiálov prenášaných vzduchom a vznikajúcich pri brúsení, pílení, vrtaní a ďalších konštrukčných činnostiach obsahujú chemikálie, ktoré sa v štáte Kalifornia považujú za látky spôsobujúce rakovinu, vrodené chyby a ďalšie reprodukčné poškodenia. Niektoré príklady takýchto chemikálií:

- kryštalický kremeň, cement a ďalšie stavebné materiály,
- arzén a chróm z chemicky upravenej gummy,
- olovo z farieb na báze olova.
- ▶ Na obmedzenie vystavenia sa týmto chemikáliám pracujte v dobre vetraných priestoroch s použitím schválených bezpečnostných prostriedkov (napríklad protiprachových masiek špeciálne navrhnutých na filtráciu mikroskopických častíc).

- ▶ Zabráňte nadýchnutiu sa prachu a manipulácii s odpadom, ktorý vzniká počas pracovného procesu a môže byť zdraviu škodlivý.
- ▶ Pri práci s materiálmi, ktoré uvoľňujú do ovzdušia častice, používajte odsávač prachu (napríklad lokálne odsávacie zariadenie) a noste dýchacie ochranné prostriedky.
- ▶ Prach a výpary vznikajúce pri brúsení alebo obrusovaní môžu spôsobiť potenciálne výbušné prostredie. Vždy používajte odsávač prachu alebo iné systémy na redukciu prachu a výparov, ktoré sú vhodné pre spracovávaný materiál.

⚠ VÝSTRAHA Projektily

Počas elektrického brúsenia, pílenia, obrusovania, vrtania a ďalších konštrukčných činností sa z iskier, triesok, úlomkov z brúsneho kotúča a ďalších častíc stávajú projektily, ktoré môžu zasiahnuť a poraniť pracovníka obsluhy alebo ďalšie osoby.

Aj malé projektily, ktoré zasiahnu oči, môžu spôsobiť slepotu.

- ▶ Pri práci s nástrojom alebo v jeho blízkosti, pri oprave, údržbe alebo výmene príslušenstva vždy noste nárazuvzdorné ochranné prostriedky očí a tváre.
- ▶ Na ochranu ďalších osôb pred úlomkami z brúsneho kotúča a iskrami používajte bariéry.
- ▶ Skontrolujte, či aj ďalšie osoby v pracovnom priestore nosia nárazuvzdorné ochranné prostriedky očí a tváre.

⚠ VÝSTRAHA Nebezpečenstvo hluku

Vysoká hladina hluku môže spôsobiť trvalú stratu sluchu.

- ▶ Používajte chrániče sluchu v súlade s pracovnými zdravotnými a bezpečnostnými predpismi.

⚠ VÝSTRAHA Nebezpečenstvo vibrácií

Vplyvom vibrácií sa môžu poškodiť nervy a znemožniť prúdenie krvi do rúk a paží.

- ▶ Opakované pracovné pohyby, neprijemná poloha alebo vibrácie môžu rukám a pažiam škodiť. Ak dôjde k znecitliveniu, tŕpnutiu, bolesti alebo zblednutiu pokožky, nástroj ďalej nepoužívajte a obráťte sa na lekára.
- ▶ Nemali by sa používať brúsne nadstavce s ohnutou stopkou.
- ▶ Keď je to možné, používajte nástroje s antivibračným mechanizmom.
- ▶ Znížte na najmenšiu mieru čas vplyvu vibrácií.

Všeobecné informácie

Konštrukcia a funkcia

Táto brúska je určená iba pre brúsne výrobky a brúsne príslušenstvo. Tento model je zariadenie s mazaním. Zariadenie, nadstavce a príslušenstvo je možné používať iba na určený účel, každé iné použitie je zakázané.

- Nikdy nepoužívajte brúsne alebo rezné kotúče s brúskou bez ochranného štítu.
- Nikdy k zariadeniu nepripájajte pílové kotúče alebo iné rezné kotúče, ktoré nie sú pre nástroj určené.

Nápisy a nálepky

Na stroji sa nachádzajú nápisy a nálepky obsahujúce dôležité informácie o bezpečnosti osôb a údržbe stroja. Nápisy a nálepky sa vždy musia dať ľahko prečítať. Nové nápisy a nálepky sa dajú objednať pomocou zoznamu náhradných dielov.



VYHLÁSENIE O ZHODE EC

My, spoločnosť Atlas Copco Tools AB, S-105 23 STOCKHOLM SWEDEN vyhlasujeme na našu výhradnú zodpovednosť, že náš produkt (s typovým a výrobným číslom, pozri prednú stranu) a v kombinácii s našim príslušenstvom, na ktorý sa toto vyhlásenie vzťahuje, je v zhode s príslušnou normou (príslušnými normami):

EN 792-8

a v súlade s nasledujúcou smernicou (nasledujúcimi smernicami):

2006/42/EC

Stockholm, 29. decembra 2009

Lennart Remnebäck, Generálny riaditeľ

Podpis vydavateľa

Inštalácia

Kvalita vzduchu

- Na optimálny výkon a maximálnu životnosť výrobku odporúčame použiť stlačený vzduch s rosným bodom v rozmedzí hodnôt +2 °C až +10 °C. Odporúča sa inštalácia sušiča vzduchu chladiaceho typu od spoločnosti Atlas Copco.

- Používajte oddelený vzduchový filter typu FIL od spoločnosti Atlas Copco, ktorý odstráni častice väčšie ako 15 mikrometrov a viac ako 90 % kvapalnej vody. Filter nainštalujte čo najbližšie k výrobku pred ďalšími jednotkami na prípravu vzduchu – napríklad jednotkami REG alebo DIM (pozrite časť Príslušenstvo vzduchového vedenia v hlavnom katalógu). Hadicu pred pripojením prefúknite.

Modely s mazaním:

- Stlačený vzduch musí obsahovať malé množstvo oleja. Dôrazne odporúčame nainštalovať mazacie zariadenie DIM na mazanie olejovou hmlou od spoločnosti Atlas Copco s normálnym nastavením na hodnotu 3 – 4 kvapky (50 mm³)/min. pre nástroje s dlhým cyklom alebo jednobodové mazacie zariadenie od spoločnosti Atlas Copco (typ Dosol) pre nástroje s krátkym cyklom. Informácie o nastavení zariadenia Dosol nájdete v časti Príslušenstvo vzduchového vedenia v hlavnom katalógu.

Pripojenie stlačeného vzduchu

⚠ VÝSTRAHA Stlačený vzduch môže spôsobiť vážny úraz

- ▶ Keď sa nástroj nepoužíva, pred každou úpravou výrobku (napríklad výmenou príslušenstva) alebo pri opravách vždy zatvorte prívod vzduchu, uvoľnite tlak vzduchu v hadici a odpojte nástroj od prívodu vzduchu.
- ▶ Nikdy nenasmerujte vzduch na seba alebo ďalšiu osobu.

⚠ VÝSTRAHA Pohyb hadice spôsobený unikajúcim vzduchom môže spôsobiť vážny úraz

- ▶ Vždy skontrolujte hadice a spojovacie časti, či nie sú poškodené alebo uvoľnené.

Kontrola tlaku vzduchu:

- Výrobok je navrhnutý na pracovný tlak (stanovené) 6 – 7 barov = 600 – 700 kPa = 87 – 102 psig.
- Tlak vzduchu na vstupe do nástroja v činnosti nesmie presiahnuť maximálny prevádzkový tlak 7 barov – 700 kPa – 102 psig.
- Hadicu pred pripojením prefúknite.

Prevádzka

Pozrite aj časť *Servisné pokyny*.

Príprava pred použitím brúsky

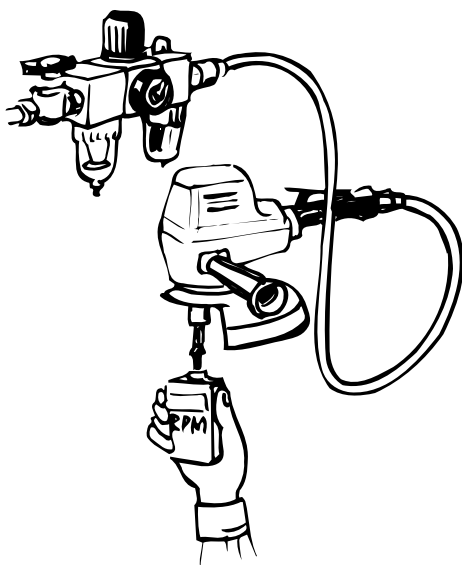
Správna funkcia brúsky

⚠ VÝSTRAHA Príliš vysoké otáčky môžu spôsobiť vážny úraz alebo smrť

- Maximálne povolené otáčky vyznačené na nástroji sa nesmú prekročiť.

Testovanie brúsky by mali vykonávať iba profesionálni technici. Technici musia byť oprávnení na testovanie tohto typu nástroja a na prácu s pneumatickým systémom v súlade s predpismi platnými v danej krajine.

- Každý deň a vždy po údržbe by sa mali kontrolovať otáčky nástroja bez zaťaženia. Táto kontrola by sa mala uskutočniť s odpojeným brúsnym príslušenstvom.



- Na zabránenie prílišnému zvýšeniu tlaku vzduchu (môže to spôsobiť príliš vysoké otáčky) použite regulátor tlaku.
- Pripojenia a vzduchová hadica musia byť v dobrom stave.

Brúsne príslušenstvo na upevnenie

⚠ VÝSTRAHA Stlačený vzduch môže spôsobiť vážny úraz

- Keď sa nástroj nepoužíva, pred každou úpravou zariadenia (napríklad výmenou príslušenstva) alebo pri opravách vždy zatvorte prívod vzduchu, uvoľnite tlak vzduchu v hadici a odpojte nástroj od prívodu vzduchu.

⚠ VÝSTRAHA Nesprávne brúsne príslušenstvo môže prasknúť a spôsobiť vážny úraz alebo smrť

- Používajte oporný tanier alebo brúsny materiál s rovnakými alebo vyššími povolenými otáčkami ako sú otáčky pneumatickej brúsky.
- Používajte len oporné taniere alebo brúsne materiály určené výrobcom (nie rezné kotúče

alebo frézové hlavice). Pozrite časť *Konštrukcia a funkcia*.

- Používajte iba odporúčanú veľkosť a typ brúsnych materiálov.
- Nepoužívajte brúsne nadstavce, ktoré sú vyštrbené, prasknuté alebo spadli na zem.
- Na zabránenie úrazom spôsobeným zlomeným brúsnym nadstavcom je nevyhnutné ho správne upevniť.
- Používajte iba potiahnuté pieskové brúsne kotúče alebo brúsne papiere náležite upevnené na oporný tanier dodaný s pneumatickou brúskou. Zabezpečte, aby samoupínacie brúsne kotúče boli upevnené sústredne.

Správne narábanie s brúskou

Pred použitím brúsky si prečítajte časť *Bezpečnostné pokyny*.



⚠ VÝSTRAHA Nedodržanie správnych pracovných postupov môže spôsobiť vážny úraz alebo smrť

- Keď používate nástroj navrhnutý s ochranným štítom, štít by sa mal na ochranu pred brúsnymi trieskami a ďalšími úlomkami vždy nachádzať na svojom mieste.
- Zabezpečte správne upevnenie obrobku.
- Zabezpečte, aby iskry neohrozovali osoby ani materiály.
- Ak sa nástroj používa na plastových alebo iných nevodivých materiáloch, môže dôjsť k nebezpečnému elektrostatickému výboju.
- Pri práci sa musia používať osobné ochranné prostriedky opísané v časti *Osobné ochranné prostriedky*.
- Pošmyknutie/potknutie/pád sú najčastejšími príčinami vážnych úrazov alebo smrti. Dávajte pozor, aby hadica neprekážala v chôdzi alebo na pracovnej ploche.
- V neznámom prostredí postupujte veľmi opatrne. V priestore sa môžu nachádzať nebezpečné prvky (napríklad elektrické siete alebo siete ďalších technických zariadení).

- ▶ Udržiavajte telo v rovnováhe s pevným postojom.
- ▶ Rýchlo zareagujte pri príliš veľkých vibráciách spôsobených nesprávne pripojeným alebo poškodeným brúsnym nadstavcom.
- ▶ Nepribližujte sa k rotujúcemu hnaciemu vretenu a brúsnym prostriedkom. Rotácia môže po uvoľnení regulátora niekoľko sekúnd pokračovať. Nástroj neodkladajte, pokiaľ sa rotácia nezastaví.
- ▶ Uvedomte si, že zostatkový stlačený vzduch v hadici môže zapríčiniť nepredvídané spustenie zariadenia.
- ▶ Ak dôjde k prerušeniu dodávky energie, uvoľnite regulátor.

Údržba

Ochrana pred koróziou a čistenie vnútorného priestoru

Voda v stlačenej vzduchu, prach a častice spôsobujúce opotrebovanie zapríčiňujú koróziu a zaseknutie lopatiek, ventilov atď.

Riešením je namazanie olejom (niekoľko kvapiek), spustenie nástroja na 5 – 10 sekúnd a utretie prebytočného oleja handričkou. **Tento postup uskutočnite pred dlhším obdobím nečinnosti zariadenia.**

Mazanie

Tento nástroj je vybavený uhlovým prevodom, ktorý sa na zaistenie dobrej odolnosti proti opotrebovaniu maže polotekutým mazadlom. Na zabránenie preplneniu (čo môže viesť k zvýšeniu teploty a poškodeniu tesnení) sa na zariadení nenachádza mazacia hlavica. Namiesto toho by sa zložením vretenu uhlového prevodu malo mazadlo vymeniť po každých 200 hodinách prevádzky.

Na dosiahnutie správnych mazacích vlastností používajte polotekutý typ mazadla Urethyn GE00. Potrebné množstvo mazadla je maximálne 7cm³.

- ❗ **Nepoužívajte ložiskové mazadlá alebo mazadlá na podvozky.**

Návod na mazanie

Používajte kvalitné mazadlá. V tabuľke sú uvedené príklady odporúčaných mazadiel.

Značka	Všeobecný účel Ložiská	Vzduchové mazanie
BP	Energol LS-EP2	Energol E46
Castrol	Spheerol EP L2	
Esso	Beacon EP2	Arox EP46
Q8	Rembrandt EP2	Chopin 46
Mobil	Mobilegrease XHP 222	Almo oil 525
Shell	Alvania EP2	Tonna R32
Texaco	Multifak EP2	Aries 32
Molycote	BR2 Plus	

Generálna oprava

⚠ VÝSTRAHA Príliš vysoké otáčky môžu spôsobiť vážny úraz alebo smrť

- ▶ Pri používaní regulátora otáčok overte, či je namontovaný správny regulátor otáčok. Nešetrná manipulácia môže spôsobiť jeho nefunkčnosť.
- ▶ Neodstraňujte bezpečnostné prvky (napríklad regulátor otáčok alebo vypínanie pri príliš vysokých otáčkach). Tieto súčasti sa musia pri poškodení úplne vymeniť.
- ▶ Po údržbe vždy skontrolujte otáčky bez zaťaženia nástroja. Pozrite časť *Príprava pred použitím brúsky*.

V rámci preventívnej údržby by sa malo mazadlo v uhlovom prevode vymeniť po približne 200 hodinách prevádzky. Pozrite pokyny v časti *Mazanie*.

Celý nástroj by sa mal kontrolovať v pravidelných šesťmesačných intervaloch. Ak nástroj pracuje pri veľkom zaťažení alebo nepracuje správne, mal by sa kontrolovať častejšie.

Skontrolujte opotrebovanie tesniacej hrany a príslušného bloku. Tesnenie je potrebné na udržanie mazadla v prevodovej skrini.

Filter na prívode vzduchu by sa mal často čistiť, aby sa zabránilo jeho upchatiu a zníženiu kapacity.

- ❗ **Vyčistite časti motora a naneste tenkú vrstvu pneumatického mazacieho oleja na lopatky, vnútorný povrch valca a koncové platne. Zostavte motor a skontrolujte jeho chod naprázdno. Cez vstupný otvor vzduchu pridajte dve kvapky oleja a spustite motor na 5 – 10 sekúnd pri voľnobežných otáčkach.**

Užitočné informácie

Na našej webovej stránke môžete nájsť veľa informácií o produktoch Pro, príslušenstve, náhradných súčiastkach a zverejnených materiáloch!

 **Prihláste sa na stránku www.pro-powertools.com**

Technické údaje

Emisia hluku a vibrácií

Hluk (v súlade s PN8NTC1.2)	dBA
Úroveň tlaku vzduchu	75
Hladina výkonu zvuku	-
Nepresnosť	Noise spread
	-
	volume

Celková hodnota vibrácií, platná od roku 2010 (3-osová hodnota v súlade s Vibration according new - volume)		m/s ²
Hodnota vibrácií	Vibration value new - volume	
Nepresnosť	Vibration spread new - volume	

Hodnota vibrácií, platná do roku 2009 (1-osová hodnota v súlade s EN/ISO 8662-8)		m/s ²
Hodnota vibrácií		<2.5

Vyhlásenie o hlučnosti a vibráciách

Uvedené hodnoty boli zistené laboratórnymi skúškami v súlade s uvedenými normami a sú vhodné na porovnanie s deklarovými hodnotami iného náradia v súlade s rovnakými normami. Tieto deklarové hodnoty nie sú vhodné na posudzovanie rizík a hodnoty odmerané na jednotlivých pracoviskách môžu byť vyššie. Hodnoty aktuálnej expozície a riziko poškodenia zdravia, zistené individuálnymi používateľmi, sú jedinečné a závisia od spôsobu práce používateľa, povahy obrobku a usporiadania pracoviska, ako aj od času expozície a fyzického stavu používateľa.

My, **Atlas Copco Tools AB**, preto nemôžeme zodpovedať za následky použitia uvedených hodnôt namiesto hodnôt, odrážajúcich aktuálnu expozíciu pri aktuálnom posudzovaní rizík v situácii na pracovisku, na ktoré nemáme vplyv.

Toto náradie môže v prípade jeho nesprávneho používania spôsobiť syndrómy - podmienené vibráciami - v ramene a ruke. Smernicu EU o vibráciách pôsobiacich na rameno a ruku možno nájsť na <http://www.humanvibration.com/EU/VIBGUIDE.htm>

Odporúčame preventívnu kontrolu zdravotného stavu na detekciu včasných príznakov v dôsledku zaťaženia vibráciami, aby bolo možné upraviť postupy, ktoré by zabránili výskytu ťažkostí v budúcnosti.

Bezpečnostní pokyny

Důležité informace pro bezpečnější používání

Tento návod se týká instalace, obsluhy a údržby výrobku, jakož i vloženého/namontovaného nástroje a vybavení, včetně příslušné manipulace.



- Je životně důležité, aby si pracovník obsluhy před tím, než začne výrobek používat, přečetl celý návod a porozuměl mu.
- Návod udržujte na bezpečném místě pro budoucí použití a zajistěte, aby k němu měl pracovník obsluhy snadný přístup.
- Nedodržení tohoto návodu může způsobit vážná nebezpečí.

Naším cílem je vyrábět nástroje, které vám pomohou pracovat bezpečně a efektivně.

Nejdůležitějším bezpečnostním zařízením pro tento a jakýkoli jiný nástroj jste VY.

Vaše péče a dobrý úsudek jsou nejlepší ochranou před úrazem.

Tento elektrický nástroj se nesmí upravovat z důvodů spolehlivosti a bezpečnosti výrobku. Tento nástroj smějí instalovat, seřizovat nebo používat jen kvalifikovaní a školení pracovníci obsluhy.

Zde nelze popsat všechna možná nebezpečí, zdůrazníme však některá nejvýznamnější. Další bezpečnostní pokyny získáte z těchto dokumentů:

- Jiné dokumenty a informace přibalené k tomuto nástroji
- Váš zaměstnavatel, odborová a/nebo obchodní asociace
- Příslušné normy citované v oddílu *ES prohlášení o shodě*

Další informace o ochraně zdraví a bezpečnosti zaměstnanců lze získat na těchto internetových stránkách:

<http://www.osha.gov> (USA)

<http://europe.osha.eu.int> (Evropa)

Výstražná upozornění

Výstražná upozornění Nebezpečí, Varování a Upozornění mají následující význam:

NEBEZPEČÍ	Značí nebezpečnou situaci, která pokud se na ní nebude brát ohled, zaviní smrt nebo vážné zranění.
VAROVÁNÍ	Značí nebezpečnou situaci, která pokud se na ní nebude brát ohled, může zavinít smrt nebo vážné zranění.
UPOZORNĚNÍ	Značí nebezpečnou situaci, která pokud se na ní nebude brát ohled, může zavinít v některých případech zranění.

Osobní předpoklady a kvalifikace

Instalace, skladování, údržba a odstranění

Instalaci, skladování, údržbu a odstranění výrobku smějí provádět jen osoby, které

- jsou fyzicky schopné manipulovat s velkým, hmotným a výkonným nástrojem,
- znají příslušné vnitrostátní bezpečnostní pokyny a návody, jak předcházet nehodám,
- přečetli si a chápou návod k obsluze.

Obsluha

Obsluhu výrobku smějí provádět jen kvalifikovaní pracovníci obsluhy. Pracovníci obsluhy jsou kvalifikovaní, když:

- jsou fyzicky schopní manipulovat s velkým, hmotným a výkonným nástrojem,
- jsou školení v obsluze výrobku v souladu s vnitrostátními předpisy,
- znají příslušné vnitrostátní bezpečnostní pokyny a návody, jak předcházet nehodám,
- přečetli si a chápou návod k obsluze.

Osobní ochranné pomůcky

⚠ VAROVÁNÍ Nebezpečí namotání

- ▶ Nenoste šperky a volný oděv.
- ▶ K nástroji a příslušenství se nepřibližujte s volně visící vázankou kolem krku, která by se mohla zachytit a způsobit udušení.
- ▶ K nástroji a příslušenství se nepřibližujte s rozpuštěnými dlouhými vlasy, které by se mohly v nástroji zachytit.

Osobní ochranné pomůcky musí vyhovovat příslušným zdravotním a bezpečnostním předpisům. Mějte vždy na sobě tyto osobní ochranné pomůcky:

- bezpečnostní přilbu.
- ochranu vlasů,
- bezpečnostní brýle s bočnicemi,
- ochranné rukavice,
- bezpečnostní obuv.

Drogy, alkohol a léčiva

Drogy, alkohol a léčiva mohou zhoršit váš úsudek a koncentraci.

⚠ VAROVÁNÍ Špatné reakce a nesprávná hodnocení mohou vést k vážným nehodám nebo smrti.

- ▶ Výrobek nikdy neprovozuje, jste-li pod vlivem drog, alkoholu nebo léčiv.
- ▶ Zabraňte jiným lidem v používání výrobku, budou-li pod vlivem drog, alkoholu nebo léčiv.

Instalace, provoz a údržba: bezpečnostní opatření

⚠ VAROVÁNÍ Výbušniny a výbušné plyny, riziko výbuchu

Pokud výrobek přijde do styku s výbušninami, může dojít k explozi. Exploze může způsobit vážné zranění nebo smrt.

Při používání výrobku mohou odlétávat jiskry, které mohou zažehnout vysoce hořlavý prach a plyny a způsobit požár nebo explozi.

- ▶ Nikdy výrobek nepoužívejte v blízkosti výbušnin.
- ▶ Nikdy nepracujte ve vysoce hořlavém nebo výbušném prostředí.
- ▶ Ujistěte se, že v prostředí, ve kterém pracujete, nejsou žádné skryté zdroje plynu.

⚠ VAROVÁNÍ Zásah elektrickým proudem

Pokud by výrobek přišel do styku s elektrickým obvodem nebo jiným zdrojem elektrické energie, hrozí nebezpečí vážného zranění nebo smrti.

- ▶ Nikdy nepracujte v blízkosti elektrických obvodů ani jiných zdrojů elektrické energie.
- ▶ Ujistěte se, že v prostředí, ve kterém pracujete, nejsou žádné skryté elektrické obvody.

⚠ VAROVÁNÍ Škodlivé účinky prachu

Některé druhy prachu, výfukových plynů a jiných materiálů přenášených vzduchem, které vznikají při smirkování, řezání, broušení, vrtání a jiné stavební činnosti, obsahují chemické látky, které podle informací státu Kalifornie způsobují rakovinu, vrozené vady či poškození reprodukčních orgánů. Mezi takové látky patří:

krystalický křemen, cement a jiné stavební produkty;

arsen a chrom z chemicky zpracovávané pryže; olovo z nátěrů na bázi olova.

- ▶ Z důvodu omezení působení těchto látek pracujte v dobře větraném prostoru a používejte schválené ochranné prostředky, jako jsou speciální protiprachové masky schopné odfiltrovat mikroskopické částice.
- ▶ Nevdechujte prach a nemanipulujte s odpadovým materiálem, který může být zdraví škodlivý.
- ▶ Při práci s materiálem, který produkuje vzduchem přenášené částice, použijte odsávání prachu,

například zařízení pro bodové (místní) odsávání, a noste ochranné dýchací pomůcky.

- ▶ Prach a výfukové plyny vznikající při smirkování či broušení mohou vytvořit potenciálně výbušné prostředí. Používejte vždy zařízení na odsávání nebo odstraňování prachu, která odpovídají zpracovávanému materiálu.

⚠ VAROVÁNÍ Odlétávající předměty

Během smirkování, řezání, broušení, vrtání a jiné stavební činnosti mohou odlétávající jiskry, třísky, úlomky brusného kotouče nebo jiné částice zasáhnout pracovníka obsluhy či jiné osoby a zranit je.

I malé projektily mohou způsobit zranění očí a následnou slepotu.

- ▶ Při práci s nástrojem, při jeho opravě a údržbě nebo při výměně příslušenství vždy používejte nárazuvzdorné ochranné brýle a obličejové kryty.
- ▶ Chraňte ostatní osoby před úlomky brusných kotoučů a před jiskrami pomocí ochranných krytů.
- ▶ Ověřte, zda všichni ostatní v pracovním prostoru mají nárazuvzdorné brýle a obličejové kryty.

⚠ VAROVÁNÍ Škodlivé účinky hluku

Vysoké hladiny zvuku mohou způsobit trvalou ztrátu sluchu.

- ▶ Používejte ochranu sluchu v souladu s předpisy týkajícími se bezpečnosti a ochrany zdraví při práci.

⚠ VAROVÁNÍ Škodlivé účinky vibrací

Působení vibrací může poškodit nervy a narušit přívod krve do rukou a paží.

- ▶ Opakované pracovní pohyby, nepřírozené pozice a působení vibrací mohou být pro ruce a paže škodlivé. Pokud se objeví strnulost, brnění, bolest nebo zblednutí kůže, přestaňte nástroj používat a poraďte se s lékařem.
- ▶ Nepoužívejte brusné nástroje s ohnutým dřikem.
- ▶ Máte-li možnost, používejte nástroje s tlumením vibrací.
- ▶ Minimalizujte dobu, během níž jste vystaveni vibracím.

Všeobecné informace

Konstrukce a funkce

Tato bruska na dřevo je určena pouze pro použití s brusnými materiály a podložkami. Tento model je promazáván. Stroj, jeho nástavce a příslušenství mohou být používány pouze pro stanovené účely; jakékoli jiné způsoby použití jsou zakázány.

- Nikdy nepoužívejte brusné a řezné kotouče, pokud bruska nemá kryt kotouče.

- Nikdy na brusku neupevňujte nespecifikované pilové kotouče nebo jiné řezné nástroje.

Značky a štítky

Stroj je opatřen značkami a štítky s důležitými informacemi o osobní bezpečnosti a údržbě stroje. Tyto značky a štítky musí být neustále snadno čitelné. Nové značky a štítky je možné si objednat pomocí seznamu náhradních dílů.



PROHLÁŠENÍ O SHODĚ EC

Společnost Atlas Copco Tools AB, S-105 23 STOCKHOLM SWEDEN, na vlastní odpovědnost prohlašuje, že náš výrobek (s typovým a sériovým číslem, viz přední strana) a v kombinaci s naším příslušenstvím, na které se toto prohlášení vztahuje, splňuje příslušnou normu:

EN 792-8

a vyhovuje následující směrnici:

2006/42/EC

Stockholm, 29. prosince 2009

Lennart Remnebäck, generální ředitel

Podpis vystavitele

Instalace

Vlastnosti vzduchu

- Za účelem dosažení optimální funkčnosti a maximální životnosti doporučujeme používat stlačený vzduch s rosným bodem od +2 °C do +10 °C. Doporučuje se instalace vymrazovacího sušiče vzduchu Atlas Copco
- Použijte samostatný vzduchový filtr typu Atlas Copco FIL, který zachycuje pevné částice větší než 15 mikronů a více než 90 % kapalné vody. Filtr instalujte co nejbližší ke stroji a učiňte tak před instalací jakéhokoli jiného zařízení na úpravu vzduchu, jako je REG nebo DIM (viz Pneumatické příslušenství v našem hlavním katalogu). Před připojením profoukněte hadici

Promazávané modely:

- Stlačený vzduch musí obsahovat malé množství oleje. Vřele doporučujeme instalovat mazací zařízení Atlas Copco DIM pro mazání olejovou mlhou nastavené běžně na 3-4 kapky (50 mm³) /

min v případě strojů s dlouhým provozním cyklem, nebo bodové mazací zařízení Atlas Copco typu Dosol v případě strojů s krátkým provozním cyklem.

Informace o nastavení zařízení Dosol najdete v části Pneumatické příslušenství v našem hlavním katalogu.

Připojení stlačeného vzduchu

⚠ VAROVÁNÍ Stlačený vzduch může způsobit vážné zranění.

- ▶ Pokud stroj nepoužíváte nebo pokud se chystáte provádět jakékoli nastavení, například výměnu příslušenství, nebo opravy, vždy zastavte přívod stlačeného vzduchu, vypusťte stlačený vzduch z hadice a odpojte stroj od zdroje vzduchu.
- ▶ Nikdy nesměrujte proud vzduchu na sebe ani na jiné osoby.

⚠ VAROVÁNÍ Švihající hadice mohou způsobit vážné zranění.

- ▶ Vždy zkontrolujte, zda hadice a spojky nejsou poškozené nebo uvolněné.

Kontrolujte tlak vzduchu:

- Provozní tlak stanovený pro tento výrobek je (e) 6-7 bar = 600-700 kPa = 87-102 psig.
- Provozní tlak na vstupu do stroje nesmí během provozu stroje přesáhnout hodnotu 7 bar – 700 kPa – 102 psig.
- Před připojením hadici profoukněte.

Provoz

Viz rovněž *Servisní pokyny*

Přípravy před použitím brusky

Správné fungování brusky

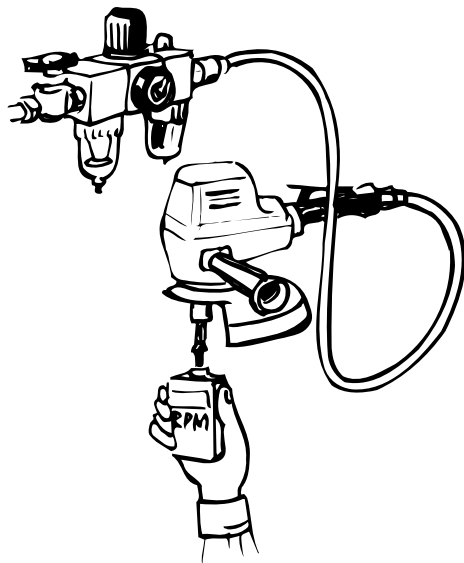
⚠ VAROVÁNÍ Překročení normálních otáček může mít za následek vážné zranění nebo smrt.

- ▶ Maximální povolené otáčky vyznačené na stroji nesmějí být překročeny.

Testování brusky by měl provádět pouze odborný technický personál. Technici musejí mít oprávnění k testování tohoto typu stroje a k obsluze pneumatického systému v souladu s národními předpisy.

- Volné otáčky stroje je zapotřebí kontrolovat každý den a při každém provádění opravy / údržby. Tato

kontrola by měla být prováděna bez upevněných brusných nástrojů.



- Používejte regulátor tlaku, aby nevznikl přetlak, který by mohl způsobit nadměrné otáčky.
- Spoje a vzduchová hadice musejí být v dobrém stavu.

Upevněné brusné nástroje

⚠ VAROVÁNÍ Stlačený vzduch může způsobit vážné zranění.

- ▶ Pokud stroj nepoužíváte nebo pokud se chystáte provádět jakékoli nastavení, například výměnu příslušenství, nebo opravy, vždy zastavte přívod stlačeného vzduchu, vypusťte stlačený vzduch z hadice a odpojte stroj od zdroje vzduchu.

⚠ VAROVÁNÍ Nesprávný brusný nástroj může prasknout a způsobit vážné zranění nebo smrt.

- ▶ Používejte brusné podložky a brusné nástroje, jejichž maximální provozní otáčky jsou stejné nebo vyšší než otáčky brusky.
- ▶ Používejte pouze brusné podložky a nástroje specifikované výrobcem (žádné řezné kotouče nebo vyhlubovací nástavce). Viz odstavec *Konstrukce a funkce*.
- Používejte pouze brusné materiály doporučených velikostí a typů.
- Nepoužívejte brusné kotouče, které mají narušený povrch, jsou prasklé nebo jinak poškozené.
- Brusný kotouč musí být správně upevněn, aby nedošlo k jeho uvolnění a následnému zranění.
- Používejte pouze povrchově upravené brusné kotouče nebo listy, řádně upevněné k podložce, která je dodávána s bruskou. Dbejte na to, aby samoupevňovací brusné kotouče byly upevněny soustředně.

Správná obsluha brusky

Před použitím brusky *si přečtěte* bezpečnostní pokyny.



⚠ VAROVÁNÍ Nedodržování správných pracovních postupů může mít za následek vážné zranění nebo smrt.

- ▶ Při používání nástroje, který vyžaduje upevnění ochranného krytu, by kryt měl být upevněn tak, aby zajišťoval ochranu před pilinami a jiným zbytkovým materiálem.
- ▶ Dbejte na to, aby obrobek byl řádně podepřen.
- ▶ Zajistěte, aby nedošlo k ohrožení lidí nebo materiálu jiskrami.
- ▶ Je-li nástroj používán na plastech nebo jiných nevodivých materiálech, hrozí nebezpečí elektrostatického výboje.
- ▶ Je nutné používat osobní ochranné prostředky, jak je popsáno v odstavci *Osobní ochranné prostředky*.
- ▶ Uklouznutí, zakopnutí a pád jsou hlavní příčiny vážných zranění a smrti. Dávejte pozor na volné části hadice na podlaze nebo na pracovní ploše.
- ▶ V neznámém pracovním prostředí si počínejte opatrně. Mohou být přítomna skrytá nebezpečí, například elektrické vedení nebo jiné inženýrské sítě.
- ▶ Udržujte rovnováhu a stůjte pevně na zemi.
- ▶ Reagujte rychle na nadměrné vibrace způsobené poškozeným nebo nesprávně upevněným brusným nástrojem.
- ▶ Udržujte odstup od rotujícího unášecího vřetena a brusných materiálů. Po zastavení přívodu vzduchu se nástroj může ještě několik sekund otáčet. Neodkládejte stroj, dokud neustane otáčení.
- ▶ Pamatujte, že stlačený vzduch nahromaděný v hadici může způsobit náhodné spuštění stroje.
- ▶ V případě selhání přívodu energie uvolněte ovládací zařízení.

Údržba

Ochrana proti korozi a čištění vnitřních částí

Voda ve stlačeném vzduchu, prach a částice vznikající opotřebením způsobují korozi a vážnutí lamel, ventilů atd.

Tento problém vyřešíte tak, že promažete stroj olejem (několik kapek), spustíte jej na 5-10 sekund a zbytky oleje vytřete hadrem. **Tento postup provádějte před delší nečinností stroje.**

Mazání

Stoj je vybaven kuželovým ozubeným kolem, které je promazáváno polotekutým mazacím tukem, aby byla zajištěna dobrá odolnost proti opotřebením. Aby nedošlo k přeplnění, které by mohlo mít za následek nárůst teploty a poškození těsnění, není k dispozici mazací hlavice. Místo toho by mazací tuk měl být přibližně každých 200 provozních hodin vyměněn po vyjmutí vřetena kuželového ozubeného kola.

Ke správnému promazání použijte polotekutý mazací tuk Urethyn GE00. Maximální množství mazacího tuku je 7cm³.

ⓘ Nepoužívejte mazací tuk na kuličková ložiska nebo tuk na mazání podvozků.

Pokyny k mazání

Používejte maziva dobré kvality. Oleje a mazací tuky uvedené v tabulce maziv jsou příklady maziv, která lze doporučit.

Značka	Obecné použití Ložiska	Vzduchové mazání
BP	Energrease LS-EP2	Energol E46
Castrol	Spheerol EP L2	
Esso	Beacon EP2	Arox EP46
Q8	Rembrandt EP2	Chopin 46
Mobil	Mobilegrease XHP 222	Almo oil 525
Shell	Alvania EP2	Tonna R32
Texaco	Multifak EP2	Aries 32
Molycote	BR2 Plus	

Generální oprava

⚠ VAROVÁNÍ Překročení normálních otáček může mít za následek vážné zranění nebo smrt.

- ▶ V případě použití regulátoru otáček se ujistěte, že používáte správný typ. Neopatrná manipulace může způsobit nefunkčnost.
- ▶ Neprovádějte demontáž bezpečnostních dílů; např. regulátoru otáček nebo bezpečnostního vypínače. Tyto díly musejí být v případě poškození kompletně vyměněny.

- ▶ Po provedení opravy/údržby vždy zkontrolujte volné otáčky stroje. Viz odstavec *Příprava před použitím brusky*

V rámci preventivní údržby by mazací tuk v kuželovém ozubeném kole měl být přibližně po 200 provozních hodin vyměněn. Viz pokyny v odstavci *Mazání*.

Celý stroj by měl být pravidelně kontrolován v šestiměsíčních intervalech. V případě těžkého provozu nebo nesprávného chodu by měl být stroj častěji odstavován pro účely kontroly.

Zkontrolujte, zda těsnicí břit a přilehlý sloupek nejsou opotřebené. Těsnění je nezbytné k udržení maziva v převodové skříně.

Sítka v otvoru pro přívod vzduchu je třeba často čistit, aby nedošlo k jeho ucpání a snížení kapacity.

- ⓘ Vyčistěte části motoru a aplikujte tenkou vrstvu mazacího oleje pro vzduchové mazání na lamely a vnitřní povrch válce a koncových plotének.**
Smontujte motor a zkontrolujte, zda běží naprázdno. Otvorem pro přívod vzduchu přidejte dvě kapky oleje a spustěte motor na 5 - 10 na volnoběžné otáčky.

Užitečné informace

Na našich stránkách naleznete veškeré informace, které se týkají výrobků společnosti Pro, příslušenství, náhradních součástí a publikovaných dokumentů!

 **Navštivte stránky společnosti**
www.pro-powertools.com

Technické údaje

Hlukové a vibrační emise

Hluk (v souladu s PN8NTC1.2)	dB(A)
Úroveň akustického tlaku	75
Úroveň akustického výkonu	-
Nepřesnost	Noise spread
	-
	volume

Celková hodnota vibrací, platná od roku 2010 (hodnota ve třech osách v souladu s Vibration according new - volume)

Hodnota vibrací	m/s ²
	Vibration value new - volume
Nepřesnost	Vibration spread new - volume

Hodnota vibrací, platná do roku 2009 (hodnota v jedné ose v souladu s EN/ISO 8662-8)	m/s ²
Hodnota vibrací	<2.5

Prohlášení o hluku a vibracích

Tyto deklarované hodnoty byly získány laboratorním testováním v souladu s uvedenými standardy a jsou vhodné pro porovnání s deklarovanými hodnotami jiného náradí testovaného v souladu se stejnými standardy. Tyto deklarované hodnoty nejsou vhodné pro použití při stanovení rizika a hodnoty naměřené na konkrétním pracovišti mohou být vyšší. Aktuální hodnoty zatížení hlukem a vibracemi a nebezpečí újmy zaznamenané konkrétním uživatelem jsou individuální a závisí na způsobu práce uživatele, obrobku a uspořádání pracoviště, jakož i na době vystavení a na fyzické kondici uživatele.

My, **Atlas Copco Tools AB**, se zříkáme odpovědnosti za důsledky použití deklarovaných hodnot místo hodnot odrážejících aktuální zatížení při individuálním stanovení rizika na pracovišti, o němž nemáme informace.

Toto náradí může při nesprávném používání způsobovat syndrom chvění rukou/paží. Příručku EU popisující, jak se vypořádat s vibracemi rukou/paží, najdete na <http://www.humanvibration.com/EU/VIBGUIDE.htm>

Doporučujeme program zdravotního dohledu umožňující včasné odhalení symptomů, které mohou souviset se zatížením vibracemi, aby bylo možné upravit řídicí procesy s cílem předcházení budoucím újmám.

Biztonsági utasítások

Fontos információk a biztonságos használatához

Jelen utasítások a termék, a behelyezett-felszerelt eszközök és berendezések felszerelésére, működtetésére, kezelésére és karbantartására vonatkoznak.



- Kulcsfontosságú, hogy a gépkezelő elolvassa és alaposan megértse az utasításokat a termék használata előtt.
- Tartsa biztonságos helyen az utasításokat jövőbeli referenciaként és bizonyosodjon meg arról, hogy a gépkezelő minden pillanatban hozzáférhet
- Jelen utasítások be nem tartása súlyos veszélyekkel járhat

A mi célunk olyan eszközöket gyártani, amelyek segítenek Önnek biztonságosan és hatékonyan végezni a munkát.

Úgy ennek, mint bármilyen más eszköznek a legfontosabb biztonsági készüléke ÖN.

Az Ön óvatossága és ítélőképessége jelentik a legjobb védelmet a sebesülések ellen.

Jelen kéziszerszám termékfelelősségi és biztonsági okokból nem módosítható. Kizárólag illetékes és szakképzett gépkezelők szerelhetik fel, állíthatják be és használhatják a szerszámot.

Az összes lehetséges veszélyt lehetetlen itt feltüntetni, azonban rávilágítunk a legfontosabbakra. További biztonsági információkat talál:

- A csomagban található egyéb dokumentumokban és adatlapokon
- A munkaadónál, szakszervezetnél és/vagy a szakmai egyesületnél
- Az *EK Megfelelőségi nyilatkozat* részben tárgyalt megfelelő szabványokban

További szakmai egészségügyi és biztonsági információkat a következő weboldalakon talál:
<http://www.osha.gov> (USA)
<http://europe.osha.eu.int> (Európa)

Biztonsági jelzések

A "Veszély", "Figyelmeztetés" és "Egyéb figyelmeztetés" jelzések a következőket jelentik:

VESZÉLY	Olyan veszélyes helyzetre utal, amelyet ha nem kerülünk el, halált vagy komoly sérülést eredményez.
FIGYELMEZTETÉS	Olyan veszélyes helyzetre utal, amelyet ha nem kerülünk el, halált vagy komoly sérülést okozhat.
EGYÉB FIGYELMEZTETÉS	Olyan veszélyes helyzetre utal, amelyet ha nem kerülünk el, közepes illetve enyhébb sérülést okozhat.

Személyes elővigyázatosság és képzettség

Felszerelés, tárolás, karbantartás és semlegesítés

A termék felszerelését, tárolását, karbantartását és semlegesítését kizárólag a következő feltételeknek megfelelő személyek végezhetik:

- fizikailag képesek a szerszám méreteivel, súlyával és erejével megbirkózni
- ismerik az összes tárgyhoz tartozó nemzeti biztonsági és baleset-megelőzési utasítást
- elolvasták és megértették a használati utasításokat

Használat

A terméket kizárólag szakképzett gépkezelők használhatják. A gépkezelő szakképzettnek tekinthető, ha:

- fizikailag képes a szerszám méreteivel, súlyával és erejével megbirkózni
- a nemzeti irányelveknek megfelelően képzésben részesült a termék használatát illetően
- ismeri az összes tárgyhoz tartozó nemzeti biztonsági és baleset-megelőzési utasítást
- elolvasta és megértette a használati utasításokat

Személyes védőfelszerelések

⚠ FIGYELMEZTETÉS Beakadási veszélyek

- ▶ Ne viseljen ékszereket és bő ruhát
- ▶ A fulladás megelőzése érdekében tartsa távol a nyakláncot a szerszámtól és tartozékaitól
- ▶ A skalpolás megelőzése érdekében tartsa távol haját a szerszámtól és tartozékaitól

A személyes védőfelszereléseknek meg kell felelniük az érvényben lévő egészségügyi és biztonsági előírásoknak

Mindig viselje a következő személyes védőfelszereléseket:

- Védősisak
- Fülvédő
- Védőszemüveg oldallappokkal
- Védőkesztyű
- Védőcipő

Kábítószerek, alkohol és gyógyszerek

A kábítószerek, az alkohol és a gyógyszerek gyengíthetik ítélőképességet és az összpontosító erőt.

⚠ FIGYELMEZTETÉS A lassú reagálás vagy nem megfelelő helyzetfelmérés súlyos balesetekhez vagy halálhoz vezethetnek

- ▶ Kábítószerek, alkohol vagy gyógyszerek hatása alatt soha ne használja a szerszámot.
- ▶ Ne engedje, hogy kábítószerek, alkohol vagy gyógyszerek hatása alatt lévő személyek használják a szerszámot.

Felszerelés, működtetés és karbantartás: elővigyázatosság**⚠ FIGYELMEZTETÉS Robbanóanyagok és robbanékony gázok, robbanásveszély**

Ha a termék robbanóanyagokkal érintkezik, robbanás keletkezhet. A robbanások súlyos sérüléseket vagy halált okozhatnak.

A termék működése közben szikrák röpködhetnek a levegőben, amelyek felrobbanthatják a gyúlékony port vagy gázokat, tüzet vagy robbanásokat okozva.

- ▶ Soha ne használja a terméket robbanóanyagok közelében
- ▶ Soha ne dolgozzon gyúlékony vagy robbanékony környezetben
- ▶ Ellenőrizze, hogy ne legyenek rejtett gázforrások a munkavégzés helyének közelében

⚠ FIGYELMEZTETÉS Áramütés

Amennyiben a termék elektromos áramkörökkel vagy más elektromossági forrásokkal érintkezik, súlyos sebesülések vagy halál veszélye áll fenn.

- ▶ Soha ne dolgozzon elektromos áramkörök vagy más elektromossági források közelében
- ▶ Ellenőrizze, hogy ne legyenek rejtett elektromos áramkörök a munkavégzés helyének közelében

⚠ FIGYELMEZTETÉS Porral kapcsolatos veszélyek

A szerszámgéppel végzett csiszolás, vágás, simítás, fúrás vagy más építkezési tevékenységek során keletkező por-, gőz- vagy más légi úton szállított anyagtípusok olyan kémiai anyagokat tartalmaznak, amelyeket a Kalifornia állam hatóságai a rákkeltő, születési rendellenességeket vagy más szaporodási ártalmakat okozó anyagok közé soroltak. Ilyen kémiai anyagokra például a következők:

Kristályos szilíciumdioxid (kovasav), cement és más kőművességi termékek.

A gumi kémiai kezeléséből származó arzén és króm.

Az ólom alapú festékekből származó ólom

- ▶ Az említett kémiai anyagoknak való kitettség csökkentésének érdekében, dolgozzon jól szellőztetett környezetben és használjon jóváhagyott biztonsági védőkészülékeket, mint például kifejezetten a mikroszkopikus részecskék szűrésére kidolgozott porvédő maszkok.
- ▶ Ne lélegezze be a port és érintse meg a munkafolyamatból származó olyan törmeléket, amely káros lehet egészségére
- ▶ Ha olyan anyagokkal dolgozik, amelyek légi úton terjedő részecskéket eredményeznek, használjon porelszívást, pld. helyi porelszívó berendezést és viseljen légzőkészüléket.
- ▶ A csiszolásból és simításból származó por vagy gőz potenciálisan robbanékony környezetet hozhat létre. Mindig a feldolgozás alatt lévő anyagnak megfelelő porelszívó- vagy fojtórendszert használjon

⚠ FIGYELMEZTETÉS Lövedékek

A gépi csiszolás, vágás, simítás, köszörülés és egyéb építkezési tevékenységek alatt a szikrák, szilánkok, a lapdarabok vagy egyéb részecskék lövedékké alakulhatnak és testi sérüléseket okozhatnak, ha a gépkezelőhöz vagy más személyekhez csapódnak.

A legkisebb lövedékek is megsérthetik a szemet és vakságot okozhatnak.

- ▶ Mindig viseljen ütésálló szem- és arcvédőt ha a szerszámot használja, javítja, karbantartja vagy tartozékait cseréli, illetve ha a közelben dolgozik.
- ▶ Használjon védőkorlátot, hogy megvédjen másokat is a levált lapdaraboktól vagy csiszolási szikráktól.
- ▶ Bizonyosodjon meg, hogy a közelben tartózkodó személyek is ütésálló szem- és arcvédőt viselnek.

⚠ FIGYELMEZTETÉS Zajártalom

A magas zajszint végleges hallásvesztést okozhat.

- ▶ Viseljen a szakmai egészségügyi és biztonsági előírásoknak megfelelő fülvédőt.

⚠ FIGYELMEZTETÉS Rezgések okozta veszélyek

A rezgéseknek való kitettség károsíthatja az idegeket és legyengítheti a vér áramlását a kezekhez és karokhoz.

- ▶ Az ismételt munkavégzési mozgások, az ésszerűtlen pozíciók és a rezgéseknek való kitettség káros hatással lehetnek a kezekre és a karokra. Amennyiben zsibbadást, bizsergést, fájdalmat érez vagy a bőr elfehéredését észleli ne használja tovább a szerszámot és forduljon orvoshoz.
- ▶ Ne használjon hajlított tartozékokat.

- ▶ Ha lehetőség van rá használjon rezgéscsillapított szerszámokat.
- ▶ Csökkentse a rezgéseknek való kitettségi időt.

Általános információk.

Kivitelezés és üzemelés

Jelen csiszológép kizárólag csiszolókövekkel és csiszolóberendezésekkel való használatra van tervezve. Jelen modell kenést igényel. A gép, valamint tartozékai és csatolmányai kizárólag rendeltetésüknek megfelelő célra használhatók, bármilyen ettől eltérő használat tilos.

- Soha ne használjon köszörülapot vagy darabolólapot védőpajzs nélkül.
- Ne csatoljon a szerszámhoz nem engedélyezett körfűrész-lapokat vagy más vágólapokat.

Jelölések és öntapadó matricák

A gép jelölésekkel és matricákkal van ellátva, melyek fontos információkat tartalmaznak a személyi biztonságra és a gép karbantartására vonatkozóan. A jelölések és matricák mindig jól olvashatók legyenek. Új jelek és matricák a tartalék alkatrészek listájáról rendelhetők.



5071050

EU MEGFELELŐSÉGI NYILATKOZAT

Mi, az Atlas Copco Tools AB, STOCKHOLM SVÉDORSZÁG, teljes felelősségünk tudatában kijelentjük, hogy termékünk (típusát és sorozatszámát lásd az első oldalon) - egyéb tartozékainkkal együtt is -, melyre jelen nyilatkozat vonatkozik, megfelel a vonatkozó szabvány(ok)nak:

EN 792-8

és a következő irányelv(ek)nek:

2006/42/EC

Stockholm, 2009. december 29

Lennart Remneback, Vezérigazgató

A kiadó aláírása

Üzembe helyezés

Levegőminőség

- Az optimális teljesítmény és maximális élettartam biztosítása érdekében ajánlott +2°C and +10°C közötti harmatpontú sűrített levegőt használni. Továbbá ajánlott egy hűtéses Atlas Copco levegőszárítót is felszerelni.
- Szereljen fel egy Atlas Copco FIL típusú levegőszűrőt, amely a 15 mikronnál nagyobb részecskéket és a cseppfolyós halmazállapotú víz 90%-át távolítja el, minél közelebb a termékhez és bármilyen más levegő-előkészítő egység elé, mint például a REG vagy DIM egységek (lásd a "Levegő-vonal tartozékok" részt fő katalógusunkban). csatlakoztatás előtt fúvassa ki a tömlőt

kenést igénylő modellek:

- A sűrített levegőnek tartalmaznia kell egy kis olajmennyiséget is. Ajánlott felszerelni egy Atlas Copco olajködös DIM kenőberendezést, percenkénti 3-4 csepp (50 mm³) adagolásra állítva a hosszú munkaciklusú gépekhez, vagy egy egy pontos Atlas Copco Dosol kenőberendezést a rövid munkaciklusú gépekhez.

A Dosol beállításokat fő katalógusunk "Levegő-vezeték tartozékok" részében találja meg.

Sűrített levegő csatlakozás

⚠ FIGYELMEZTETÉS A nyomás alatt lévő levegő súlyos sérüléseket okozhat.

- ▶ Ha a szerszám nincs használatban zárja el a levegő-adagolást, ürítse ki a tömlőt és válassza le az eszközt a levegő-vezetékéről bármilyen termék-beállítási művelet előtt, mint például tartozékok cseréje vagy javítások.
- ▶ Soha ne irányítsa a levegőt önmaga vagy más személyek felé

⚠ FIGYELMEZTETÉS A nyomás alatt lévő lengő tömlők komoly sérüléseket okozhatnak

- ▶ Mindig ellenőrizze, hogy a tömlők és csatlakozások ne legyenek hibásak vagy meglazulva

Ellenőrizze a levegő nyomását

- A terméket (e) 6–7 bar = 600–700 kPa = 87–102 psig üzemi nyomásra tervezték
- A bemeneti levegő nyomása a szerszám működése közben nem haladhatja meg a maximális üzemi nyomást, ami 7 bar – 700 kPa – 102 psig
- Csatlakoztatás előtt fúvassa ki a tömlőt

Használat

Tanulmányozza a *Szervizelési utasítások* részt is.

A csiszológép előkészítése használatra

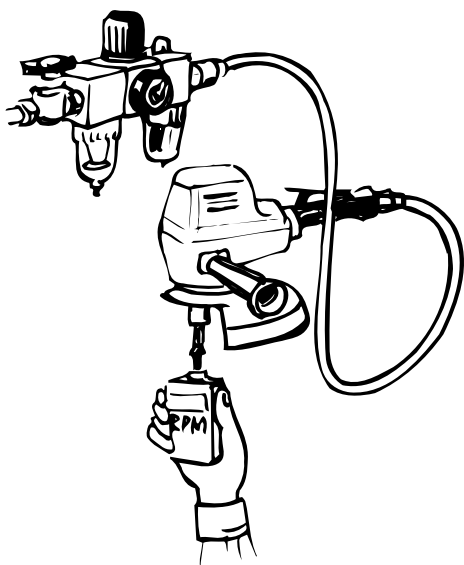
A csiszológép megfelelő működése

⚠ FIGYELMEZTETÉS A túlgyorsulás súlyos sérüléseket vagy halált okozhat

- ▶ A gépen feltüntetett maximális engedélyezett sebesség nem haladható meg

A csiszológép tesztelését kizárólag műszaki szakemberek végezhetik. A szakembernek engedéllyel kell rendelkeznie az ilyen típusú szerszámok tesztelése, valamint a pneumatikus rendszerek működtetése terén, a nemzeti irányelveknek megfelelően.

- A gép üresjáratú sebességét naponta, valamint minden szervizelési művelet után ellenőrizni kell. Ellenőrzéskor a csiszolóberendezést le kell szerelni



- A túlgyorsulást okozó túlzott levegőnyomást nyomásszabályozóval előzheti meg.
- Ellenőrizze, hogy a csatlakozások és a levegő-vezeték legyenek jó állapotban

Felszerelt csiszolóberendezés

⚠ FIGYELMEZTETÉS A nyomás alatt lévő levegő súlyos sérüléseket okozhat.

- ▶ Ha a szerszám nincs használatban zárja el a levegő-adagolást, ürítse ki a tömlőt és válassza le az eszközt a levegő-vezetékről bármilyen termék-beállítási művelet előtt, mint például tartozékok cseréje vagy javítások.

⚠ FIGYELMEZTETÉS Egy nem megfelelő csiszolóberendezés elszakadhat és súlyos sebesüléseket vagy halált okozhat

- ▶ A levegővel működtetett csiszológép névleges sebességével megegyező, vagy annál nagyobb sebességű csiszolótalpat vagy csiszolólapot használjon.
- ▶ Ne használjon a gyártó által meghatározott típustól eltérő csiszolólapot vagy csiszolótalpat (daraboló vágólapok és marófejek nem használhatók). Lásd a *Kivitelezés és működés* részt.

- Kizárólag ajánlott méretű és típusú csiszolólapokat használjon
- Ne használjon eltört vagy megrepedt, esetleg elejtett csiszolólapokat
- A leváló csiszolólap-darabok okozta sérülések elkerülése érdekében, figyelmesen végezze a felszerelést
- Kizárólag bevont csiszolóköveket vagy csiszolólapokat használjon, megfelelően rögzítve azokat a levegővel működtetett csiszológéppel szállított csiszolótalphoz. Ügyeljen arra, hogy az automatikus rögzítésű csiszolókorongok legyenek koncentrikusan felszerelve.

A csiszológép helyes használata

Olvassa el a *Biztonsági utasítások* részt a csiszológép használata előtt.



⚠ FIGYELMEZTETÉS A helyes munkavégzési gyakorlat be nem tartása súlyos sérüléseket vagy halált okozhat

- ▶ Ha védőlapos használatra tervezett csiszológépet használ, a védőberendezést fel kell szerelni, hogy a csiszolásból származó darabokat és az egyéb törmeléket visszatartsa.
- ▶ Bizonyosodjon meg arról, hogy a munkadarab megfelelően alá van támasztva
- ▶ Bizonyosodjon meg arról, hogy a szikrák nem veszélyeztetik az embereket vagy anyagokat
- ▶ Amennyiben műanyagokon vagy más, elektromosságot nem vezető anyagokon használja a gépet, elektrosztatikus kisülések veszélye állhat fenn

- ▶ Kötelezően használjon személyes védőfelszerelést, a *Személyes biztonsági felszerelések* részben leírtak szerint
- ▶ Az elcsúszás/elakadás/leesés jelentik a súlyos sebesülési- és halálesetek többségének okát. Figyeljen a járó- vagy munkavégzési felületen hagyott tömlőkre
- ▶ Különös óvatossággal járjon el az ismeretlen környezetekben. Rejtett veszélyek fordulhatnak elő, mint például elektromossági vagy más közszolgáltatási vonalak
- ▶ Tartson meg egy kiegyensúlyozott testtartást és egy biztos állást
- ▶ Reagáljon gyorsan a hibás, vagy nem megfelelően felszerelt tartozékok által okozott túlzott rezgésekre
- ▶ Figyeljen a forgó tengelyre és csiszolólapokra. Az indítógomb kiengedése után még pár másodpercig eltarthat a forgás. Ne tegye le a szerszámot mielőtt teljesen leállna a forgás
- ▶ Tartsa észben, hogy a sűrítettlevegő-vezetékben felgyült nyomás véletlenszerű bekapcsoláshoz vezethet
- ▶ Ha az áramellátás megszakad, engedje el a kapcsolót

Karbantartás

Rozsda elleni védelem és belső tisztítás

A sűrítettlevegő-vezetékben található víz, a por és a kopási részecskék a forgószárnyak, szelepek, stb. beakadását okozhatja.

Ez úgy oldható meg, hogy megkeni a gépet pár csepp olajjal, bekapcsolja 5-10 másodpercig, majd letörli egy anyagdarabbal a többletolajt. **Hosszú leállások esetén mindig végezze el ezt a műveletet.**

Kenés

A gép rendelkezik egy könyökkel, amelyet félfolyékony kenőanyaggal kell kenni, hogy fokozott ellenállása legyen a kopással szemben. A hőmérsékletemelkedést és a szigetelések károsodását okozó túltöltés elkerülése érdekében nincs kenőlyuk. Ehelyett, körülbelül 200 üzemóra után a kenőanyagot le kell cserélni, a könyök tengelyének eltávolításával.

A megfelelő kenési tulajdonságok biztosítása érdekében használjon félfolyékony Urethyn GE00 kenőzsírt. Az igényelt kenőzsír-mennyiség max. 7cm³.

- ⓘ **Ne használjon golyóscsapágy- vagy alváz-zsírt.**

Kenési útmutató

Kizárólag minőségi kenőanyagokat használjon. A kenési táblázatban felsorolt kenőanyagok példák az ajánlott kenőanyagokra.

Márka	Univerzális Csapágyak	Levegő kenése
BP	Energrease LS EP2	Energol E46
Castrol	Spheerol EP L2	
Esso	Beacon EP2	Arox EP46
Q8	Rembrandt EP2	Chopin 46
Mobil	Mobilegrease XHP 222	Almo oil 525
Shell	Alvania EP2	Tonna R32
Texaco	Multifak EP2	Aries 32
Molycote	BR2 Plus	

Nagyjavítás

⚠ FIGYELMEZTETÉS A túlgyorsulás súlyos sérüléseket vagy halált okozhat

- ▶ Ha sebességszabályozót használ, bizonyosodjon meg arról, hogy megfelelő. A helytelen használat meghibásíthatja a szabályozót.
- ▶ Ne szerelje szét a biztonsági szerkezeteket, pld. sebességszabályozó vagy túlgyorsulási kikapcsolószerkezet. Ezeket az alkatrészeket meghibásodás esetén teljesen ki kell cserélni.
- ▶ Szervizelés után mindig ellenőrizze a gép üresjárat sebességét. Lásd a *A csiszológép előkészítése használatra* részt

Megelőző karbantartási műveletként a könyök kenőanyagát körülbelül 200 üzemóra után le kell cserélni. Lásd a *Kenésrész* utasításait.

Félévente a teljes szerszámot rendszeresen ellenőrizni kell. Ha nagy igénybevételnek van kitéve vagy nem működik megfelelően, gyakrabban ki kell vonni használatból ellenőrzésre.

Ellenőrizze a szigetelőperem és a szomszédos oszlop kopását. A szigetelés azért fontos, hogy a kenőanyagot a fogaskerekes hajtóműben tartsa.

Az eldugulás és a teljesítmény csökkenésének megelőzése érdekében, a levegőbemenet szűrőjét gyakrabban kell tisztítani.

- ⓘ **Tisztítsa meg a motor alkatrészeit és kenje meg vékonyan a forgólapátokat, a henger belsejét és a zárólapokat kenőanyaggal. Szerelje össze a motort és ellenőrizze, hogy akadálymentesen működik-e. A levegőbemeneti nyíláson csepegtessen be két csepp olajt, majd hagyja futni üresjáraton 5-10 másodpercig.**

Hasznos tudnivalók

Weboldalunkon minden információt megtalál az Pro termékekről, kiegészítőkről, alkatrészekről és kiadványokról.

 **Bejelentkezés: www.pro-powertools.com**

Műszaki adatok

Zaj- és rezgés kibocsátási szint

Zaj (a PN8NTC1.2 megfelelésben)	dBA
Hangnyomás-szint	75
Hangerőszint	-
Eltérés	Noise spread
	-
	volume

Teljes rezgési érték, érvényes 2010-től (3-tengelyes értékek a megfelelésben a következővel: Vibration according new - volume)		m/s ²
Rezgési érték	Vibration value new - volume	
Eltérés	Vibration spread new - volume	

Rezgési érték, érvényes 2009-ig (1-tengelyes értékek a megfelelésben a következővel: EN/ISO 8662-8)		m/s ²
Rezgési érték		<2.5

Nyilatkozat zaj- és rezgés kibocsátásról

Ezen kinyilatkoztatott értékeket laboratóriumi típusvizsgálattal nyertük a megjelölt szabványokkal összhangban, és ezen értékek alkalmasak az összehasonlításra az egyéb olyan szerszámok kinyilatkoztatott értékeivel, amelyeket ugyanazon szabványok szerint vizsgáltak. Ezen kinyilatkoztatott értékek nem alkalmasak kockázatfelmérések céljaira, az egyedi munkahelyeken mért értékek magasabbak lehetnek. A tényleges terhelési értékek és az adott használatot érő sérülési kockázat egyedi mértékű, és függ attól, hogy a használó hogyan dolgozik, továbbá függ a munkadarabtól, a munkaállomás tervezésétől, valamint az igénybevételnek való kitettség időtartamától és a használó fizikai állapotától.

Mi, a **Atlas Copco Tools AB**, nem vállalunk felelősséget a kinyilvánított értékek használatának következményeiért, ha azokat az igénybevételnek való tényleges kitettséget tükröző értékek helyett használják, általunk nem ellenőrizhető munkahelyi helyzet egyedi kockázatfelmérésének keretében.

Ez a szerszám a kéz és a kar rezgését okozhatja nem megfelelő használatát esetén. A kézi és kari rezgésekkel foglalkozó EU-útmutató a következő helyen tölthető le:

<http://www.humanvibration.com/EU/VIBGUIDE.htm>

Egészségfelmérési programot ajánlunk az olyan korai tünetek felismerésére, amelyek kapcsolatban állhatnak a rezgési terheléssel, hogy az eljárásokat módosítani lehessen a helyzet további romlásának megakadályozására.

Varnostna navodila

Pomembne informacije za varno uporabo

Ta navodila se nanašajo na namestitvev, delovanje, rokovanje in vzdrževanje izdelka, vstavljenega/nameščenega orodja ter opreme.



- Vitalnega pomena je, da uporabnik pred uporabo temeljito prebere in osvoji vsebino navodil za uporabo
- Navodila z auproabo shranjujte na varnem in enostavno dostopnem mestu
- Neupoštevanje lahko privede do resne poškodbe

Naš cilj je proizvodnja orodij, ki vam pomagajo delati varno in učinkovito.

Najpomembnejši varnostni element ste vedno VI.

Vaša preudarna skrb in presoja sta najboljše zagotovilo za preprečevanje poškodb.

Ročnih orodij ne smete predelovati, sa s tem zmanjšate zanesljivost in varnost izdelka. Orodje naj nameščajo, nastavijo in uporabljajo le usposobljeni strokovnjaki.

Tukaj ne moremo obravnavati vseh možnih nevarnosti, izpostavljam pa nekaj najpomembnejših. Za dodatne varnostne informacije se obrnite na:

- Ostali dokumenti in informativno gradivo, ki je priloženo orodju
- Vaš delodajalec, združenje ali trgovska zbornica
- Pristojni standardi skladno z vsebino razdelka *Izjava o skladnosti ES*

Dodatne varnostne in informacije s področja medicine dela si lahko pridobite na naslednjih spletnih straneh:

<http://www.osha.gov> (ZDA)

<http://europe.osha.eu.int> (Evropa)

Opozorilni signali

Opozorilni signali Nevarnost, Opozorilo in Previdnost imajo sledeči pomen:

NEVARNOST	Pomeni nevarno situacijo v kateri, če se ji ne izognemo, umremo ali se resneje poškodujemo.
OPOZORILO	Pomeni nevarno situacijo v kateri, če se ji ne izognemo, lahko umremo ali se resneje poškodujemo.
PREVIDNOST	Pomeni nevarno situacijo v kateri, če se ji ne izognemo, se lahko poškodujemo, kjer poškodba ni resnejša in nismo v življenski nevarnosti.

Osebni varnostni ukrepi in kvalifikacije

Namestitev, shranjevanje, vzdrževanje in odlaganje

Namestitev, shranjevanje, vzdrževanje in odlaganje izdelka lahko opravljajo le osebe, ki so:

- fizično sposobne obvladovati obseg, težo ter moč orodja
- obveščene o vseh veljavnih varnostnih predpisih ter navodilih za preprečevanje nesreč
- seznanjene in podučene o varnostnih navodilih

Delovanje

Z orodjem lahko rokuejjo je usposobljeni strokovnjaki. Strokovnjaki so usposobljeni če so:

- fizično sposobne obvladovati obseg, težo ter moč orodja
- usposobljene za rokovanje z izdelkom, upoštevajoč nacionalne predpise
- obveščene o vseh veljavnih varnostnih predpisih ter navodilih za preprečevanje nesreč
- seznanjene in podučene o varnostnih navodilih

Oosebna zaščitna oprema

⚠ OPOZORILO Nevarnost zapletanja

- ▶ Ne nosite nakita ali ohlapnih oblačil
- ▶ Ogrlice imejte proč od orodja in priključkov, za preprečite zagozdenje
- ▶ Lase imejte proč od orodja in priključkov, da preprečite njihovo izpulitev iz lasišča

Osebna zaščitna oprema mora biti skladna s predpisanimi zdravstveimi ter varnostnimi predpisi. Vedno uporabljajte naslednjo osebno zaščitno opremo:

- Zaščitno čelado
- Zaščito sluha
- Zaščitna očala z varovalom
- Zaščitne rokavice
- Varnostno obutev

Droge, alkohol in zdravila

Droge, alkohol in zdravila lahko poslabšajo vašo presojo ter zmanjšajo koncentracijo.

⚠ OPOZORILO Počasne reakcije in nepravilna presoja lahko privedeta do resnih poškodb ali smrti.

- ▶ Nikoli ne uporabljajte izdelka, če ste pod vplivom drog, alkohola ali zdravil
- ▶ Če opazite, da so drugi pod vplivom drog, alkohola ali zdravil, jim preprečite uporabo orodja

Namestitev, delovanje in vzdrževanje: varnostni ukrepi

⚠ OPOZORILO Eksplozivni in eksplozivni plini, nevarnost eksplozije

Če izdelek pride v stik z eksplozivom lahko pride do eksplozije. Slednja lahko privede do resnih poškodb ali smrti.

Pri delovanju izdelka lahko pride do iskrenja, ki zaneti visoko vnetljiv prah ali plin ter privede do požara ali eksplozije.

- ▶ Nikoli ne uporabljate izdelka v bližini eksplozivnih snovi
- ▶ Nikoli ne delajte v visoko vnetljivih okoljih z nevarnostjo eksplozije
- ▶ Prepričajte se, da v delovnem okolju ni skritih virov plina

⚠ OPOZORILO Električni udar

če izdelek pride v stik z električno napeljavo, obstaja nevarnost električnega udara ali smrti.

- ▶ Nikoli ne delajte blizu električne napeljave ali ostalih virov električne energije
- ▶ Prepričajte se, da v delovnem okolju ni skritih električnih napeljav

⚠ OPOZORILO Nevarnost prahu

Nekatere vrste prahu, pare ali ostali, v zraku lebdeči delci, ki nastanejo pri brušenju, rezanju, vrtnanju ter ostalih gradbenih delih lahko vsebujejo snovi, ki so skladno s predpisi države Kalifornija določeni kot rakotvorni in povzročajo tudi okvare pri rojstvih ali druge reprodukcijske težave. Nekateri primeri tovrstnih kemikalij so:

Kristali kremenja in cement ter drugi zidarski materiali.

Arzen in krom s kemijsko obdelane gume.

Svinec iz barv s svinčeno osnovo.

- ▶ Za zmanjšanje izpostavljenosti tovrstnim kemikalijam delajte v dobro zračenih okoljih ter uporabljajte ustrezno zaščitno opremo, kot so protiprašne maske s posebnimi filtri za mikroskopske delce
- ▶ Izogibajte se vdihovanju prahu ali delcev, ki nastanejo pri brušenju, in so zdravju škodljivi
- ▶ Pri obdelovanju materialov, ki pri delu proizvajajo v zraku lebdeče delce uporabite opremo za odsesavanje
- ▶ Prah in pare, ki nastajajo pri brušenju lahko povzročijo potencialno eksplozivna okolja. Pri delu v tovrstnih okoljih vedno uporabljajte ustrezno opremo za odsesavanje

⚠ OPOZORILO Leteči delci

Med brušenjem, rezanjem, vrtnanjem in drugimi gradbenimi deli lahko pride do iskrenja, okruškov, izmeta delcev brusilnega koluta ali drugih delcev, ki povzročijo opekline in druge telesne poškodbe.

Celo izjemno majhni delci lahko povzročijo poškodbe oči in slepoto.

- ▶ Pri tovrstnih opravilih, popravilih ali vzdrževanju orodja ter menjavi priključkov vedno uporabljajte zaščitno opremo za oči in obraz
- ▶ Ostale prisotne pa zavarujte s pregradami
- ▶ Preverite, da imajo prisotni ravno tako nameščeno zaščitno opremo za oči in obraz

⚠ OPOZORILO Nevarnost hrupa

Visoke ravni zvoka lahko povzročijo stalne okvare sluha.

- ▶ Upoštevajte veljavne določbe in uporabite predpisano zaščitno opremo sluha

⚠ OPOZORILO Nevarnost vibracij

Izpostavljenost vibracijam lahko škodljivo vpliva na živce in prepreči pretok krvi v roke ter rame.

- ▶ Ponavljajoči delovni gibi, prisiljeni položaji in izpostavljenost vibracijam lahko škodi rokam ter ramam. V primeru otrplosti, bolečin ali pobledelosti kože, prenehajte z uporabo in se posvetujte z zdravnikom
- ▶ Orodij s prepognjenimi kraki ni dovoljeno uporabljati
- ▶ Če je možno, uporabite orodja z blažilniki vibracij
- ▶ Zmanjšajte čas izpostavljenosti vibracijam

Splošne informacije

Oblika in funkcije

Brusilnik spada v razred abrazivnih in podpornih orodij. Model je potrebno mazati. Napravo, njene dodatke ter priključke lahko uporabljate le za namen, za katerega so predvideni, vsakršna drugačna uporaba je prepovedana.

- Nikoli ne uporabljajte brusilnih ali rezalnih kolotov na brusilniku, ki nima nameščenega varovala koluta
- Na brusilnik nikoli ne nameščajte rezil krožne žage, niti ostalih nepredpisanih rezalnih orodij

Znaki in nalepke

Stroj je opremljen z znaki in nalepkami, ki vsebujejo pomembne informacije o osebni varnosti in o vzdrževanju stroja. Nalepke in znaki morajo biti

vedno dobro berljivi. Nove znake in nalepke lahko naročite s pomočjo seznama rezervnih delov.



IZJAVA ES O SKLADNOSTI

Atlas Copco Tools AB, S-105 23 STOCKHOLM, ŠVEDSKA, pod polno odgovornostjo izjavljamo, da je naš proizvod (tip in serijska številka navedena na naslovnici), ki je predmet te izjave, tudi v kombinaciji z našo dodatno opremo, skladen z naslednjim standardom ali standardi:

EN 792-8

in skladen z naslednjo direktivo ali direktivami:

2006/42/EC

Stockholm, 29. decembra 2009

Lennart Remnebäck, generalni direktor

Podpis izdajatelja

Namestitev

Kakovost zraka

- Za optimalno delovanje in maksimalno življenjsko dobo izdelka priporočamo, da uporabljate stisnjeni zrak z rosiščem med +2° C in +10° C. Priporočamo namestitev Atlas Copco sušilnega elementa, ki preprečuje zamrzovanje zraka.
- Uporabite ločeni filter za zrak Atlas Copco FIL, ki odstranjuje trdne delce, ki so večji od 15 mikronov in več kot 90 % vode, namestite čim bližje orodju ter pred enoto za pripravo zraka, npr. REG ali DIM (prosimo oglejte si "Air Line Accessories" (Priključki na napeljavi za zrak) v našem glavnem katalogu). Cevi pred priklopom dobro izpihajte

Modeli z mazanjem:

- Stisnjeni zrak vedno vsebuje majhno količino olja. Strogo priporočamo namestitev mazalnih elementov Atlas Copco DIM, ki jih nastavite tako, da bodo v normalnih razmerah oddajali 3–4 kapljice (50 mm³)/min pri orodjih z dolgim ciklom delovanja ter Atlas Copco mazalnik z enojnim delovanjem, vrste Dosol za orodja s kratkim ciklom delovanja. Za nastavitve Dosol si oglejte "Air Line Accessories" (Priključki na napeljavi za zrak) v našem glavnem katalogu.

Povezovanje dobave stisnjenega zraka

⚠ OPOZORILO Prenizek tlak lahko povzroči resne poškodbe

- ▶ Ko orodja ne uporabljate, pred servisiranjem ali nastavljanjem, npr. menjavo priključkov ter pri popravilih, zaprite dobavo zraka, spustite tlak iz napeljave ter odklopite orodje.
- ▶ Nikoli ne usmerjajte zraka vase ali v ostale prisotne

⚠ OPOZORILO Pihajoče cevi lahko povzročijo resne poškodbe

- ▶ Vedno preverite, če so cevi v dobrem stanju in pritrjene

Preverite tlak zraka:

- Izdelek je predviden za delovni tlak 6–7 bar = 600–700 kPa = 87–102 psig
- Tlak zraka na priklopu izdelka ne sme presežati maksimalnega tlaka delovanja 7 bar – 700 kPa – 102 psig
- Cevi pred priklopom dobro izpihajte

Delovanje

Glejte tudi *Servisna navodila*

Postopki pred uporabo brusilnika

Pravilno delovanje brusilnika

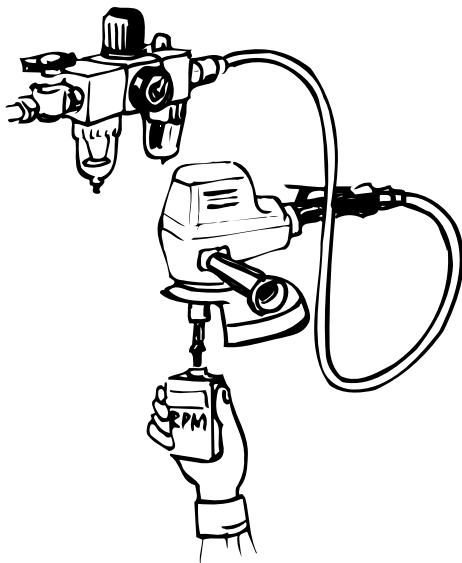
⚠ OPOZORILO Previsoko število vrtljajev lahko privede do resne poškodbe ali smrti

- ▶ Nikoli ne prekoračite največje dovoljene hitrosti, ki je označena na orodju

Testiranje brusilnika lahko opravi le usposobljeni strokovnjak. Strokovnjaki, ki testirajo tovrstna orodja morajo imeti, skladno z nacionalno zakonodajo, ustrezno spričevalo za rokovanje s pnevmatskimi sistemi

- Število vrtljajev v prostem teku morate preverjati vsakodnevno, ter po vsakem servisiranju. Ta

preverjanja morate opraviti brez nameščene opreme za brušenje



- Za preprečevanje prekomernega tlaka zraka, ki bi lahko povzročil previsoko število vrtljajev, uporabite regulator tlaka
- Vsi spoji in napeljava morajo biti v dobrem stanju

Montirana oprema za brušenje

⚠ OPOZORILO Prenizek tlak lahko povzroči resne poškodbe

- ▶ Ko orodja ne uporabljate, pred servisiranjem ali nastavljanjem, npr. menjavo priključkov ter pri popravilih, zaprite dobavo zraka, spustite tlak iz napeljave ter odklopite orodje.

⚠ OPOZORILO Napačna oprema za brušenje med delom lahko poči in povzroči resne poškodbe ali smrt

- ▶ Uporabite brusilno blazinico ali brusilni nastavki, z večjim ali enakim številom vrtljajev, kot je navedeno na orodju
- ▶ Ne uporabljajte drugih brusilnih blazinic ali brusilnih nastavkov, kot tiste, ki jih je predpisal proizvajalec (ne rezalnih kolutov ali rezkalnih nastavkov). Glejte razdelek *Oblika in funkcije*.
- Uporabljajte le nastavke priporočenih dimenzij ter vrst
- Ne uporabljajte montažnih kolutov, ki so natrgani ali razpokani, saj se ti med delovanjem lahko razletijo
- Za preprečevanje poškodb zaradi počenih montažnih kolutov, morate uporabiti takšne, ki so izpravni
- Uporabljajte le obložene brusilne kolote ali plošče, ki morajo biti pravilno pritrjene na brusilno blazinico zračnega brusilnika. Poskrbite, da bodo

samozatezni brusilni koloti nameščeni koncentrično.

Pravilna uporaba brusilnika

Pred uporabo brusilnika si preberite razdelek *Varnostna navodila*.



⚠ OPOZORILO Neupoštevanje postopkov za pravilno uporabo orodja lahko privede do resnih poškodb ali smrti

- ▶ Ko uporabljate orodje, ki ima možnost namestitve varovala, mora biti ti tudi zagotovo nameščeno in omogočati zaščito pred letečimi delci in ostalimi okruški
- ▶ Zagotovite, da bo obdelovanec dobro pritrjen
- ▶ Poskrbite, da leteče iskre ne bodo poškodovale ljudi ali bližnjih površin
- ▶ Če orodje uporabljate za obdelavo plastičnih ali drugih neprevodnih materialov, obstaja nevarnost elektrostaticnega praznjenja
- ▶ Uporabljati morate zaščitno opremo, ki je podrobneje opisana v razdelku *Osebna zaščitna oprema*
- ▶ Glavni vzroki za resne poškodbe ali smrt so zdrs/zasuk/padec. Pazite na zračne cevi, ki so na pohodni ali delovni površini
- ▶ V neznanih okoljih bodite dodatno previdni. Pri delu lahko naletite na skrite nevarnosti, npr. podometno električno ali drugo napeljavo
- ▶ Pri delu vedno vzdržujte stabilni položaj telesa
- ▶ Če se zaradi nepravilno nameščenega ali poškodovanega orodja pojavijo vibracije, reagirajte hitro
- ▶ Dele telesa imejte proč od vrtečega se vretena ali brusilnega nastavka. Vrtenje se lahko nadaljuje tudi potem, ko ste gumb za vklop orodja že sprostiti. Orodja ne odlagajte dokler se popolnoma ne zaustavi
- ▶ Upoštevajte, da zajeti zrak v napeljavi lahko povzroči nenaden zagon
- ▶ Če je dobava energije v okvari, odklopite krmilno napravo

Vzdrževanje

Zaščita pred rjo in notranje čiščenje

Voda v stisnjem zraku, prah in delci, ki se odkrušijo zaradi obrabe lahko povzročijo rjavenje ter zastoj reber, ventilov, itd.

To lahko rešite z mazanjem z oljem (nekaj kapljic), ter delovanjem orodja v prostem teku za 5-10 sekund, odvečno olje obrišite s krpo. **To storite pred daljšo neuporabo orodja.**

Mazanje

Orodje ima kotni prenos, z notranjim sistemom mazanja s pol-tekočo mastjo, ki zagotavlja dobro zaščito pred obrabo. Za preprečitev prekomernega polnjenja, ki lahko povzroči pregrevanje orodja ter poškodbe tesnil, orodja nima nobene mazalke. Je pa potrebno mazalno sredstvo menjati vsakih 200 ur uporabe, tako, da odstarnite vreteno kotnega prenosa.

Za ustrezno mazanje uporabite - Urethyn GE00 pol-tekočo mast. Predpisana količina masti je najv. 7cm³.

ⓘ Ne uporabljajte masti za kroglične ležaje ali šasije.

Navodilo za mazanje

Uporabljajte kakovostna maziva Olja in masti, ki so navedene v tabeli za mazanje so priporočeni primeri postopkov mazanja.

Blagovna znamka	Splošni namen Ležaji	Mazanje zraka
BP	Energol LS-EP2	Energol E46
Castrol	Spheerol EP L2	
Esso	Beacon EP2	Arox EP46
Q8	Rembrandt EP2	Chopin 46
Mobil	Mobilegrease XHP 222	Almo oil 525
Shell	Alvania EP2	Tonna R32
Texaco	Multifak EP2	Aries 32
Molycote	BR2 Plus	

Natančen pregled

⚠ OPOZORILO Previsoko število vrtljajev lahko privede do resne poškodbe ali smrti

- ▶ Če uporabljate vmesnik za nadzor števila vrtljajev, preverite, da ta ustreza predpisom. Brezskrbno rokovanje lahko povzroči poškodbe
- ▶ Ne razstavljajte varnostnih delov, npr. vmesnika za nadzor števila vrtljajev ali varnostnega stikala. Te dele morate v primeru poškodb zamenjati v celoti
- ▶ Po vsakem servisu obvezno preverite delovanje orodja v prostem teku. Glejte razdelek *Postopki pred uporabo brusilnika*

Za zagotavljanje pravilnega vzdrževanja morate zamenjati mazivo v kotnem prenosu po približno 200 urah delovanja. Glejte napotke v poglavju *Mazanje*.

Orodje morate v celoti pregledati vsakih šest mesecev. Če orodje uporabljate v težkih pogojih ali drugače, kot je predpisano, ga morate servisirati in pregledovati pogosteje.

Preverite obrabljenost tesnilnega elementa in stožera. Tesnilo zagotavlja, da mazivo ostaja v notranjosti prenosnega okrova.

Mrežico na odprtini za zrak morate redno čistiti, saj le tako zagotovite zamašitev ter preprečite poslabšano delovanje.

ⓘ Očistite dele motorja in nanesite tanek sloj pnevmatskega olja na krake ter notranje površine cilindra ter ploščic. Sestavite motor in preverite, če teče gladko. Dodajte dve kapljici olja v odprtini za zrak ter pustite motor delovati v prostem teku za 5-10 sekund.

Koristne informacije

Na naših spletnih straneh so vse informacije o izdelkih, dodatkih in rezervnih delih ter publikacije družbe Pro.

📖 Glejte spletno stran www.pro-powertools.com

Tehnični podatki

Emisija hrupa in tresljajev

Hrup (v skladu s/zPN8NTC1.2)	dB(A)
Raven zvočnega tlaka	75
Raven zvočne moči	-
Odstopanje	Noise spread volume

Skupna vrednost tresljajev, veljavno od leta 2010 (3-osna vrednost v skladu s/zVibration according new - volume)

Vrednost tresljajev	Vibration value new - volume
Odstopanje	Vibration spread new - volume

Vrednost tresljajev, veljavno do leta 2009

(1-osna vrednost v skladu s/zEN/ISO 8662-8)	m/s ²
Vrednost tresljajev	<2.5

Deklaracija o hrupu in vibracijah

Te deklarirane vrednosti so bile pridobljene z laboratorijskimi preskusi tipa, opravljenimi v skladu z navedenimi standardi, in so primerljive z deklariranimi vrednostmi drugih orodij, testiranih v skladu z istimi standardi. Te deklarirane vrednosti niso primerne za uporabo pri oceni tveganj.

Vrednosti, izmerjene na posameznem delovnem mestu, so lahko tudi višje. Dejanske vrednosti izpostavljenosti in tveganja za posameznega uporabnika so edinstvena in odvisna od načina dela uporabnika, obdelovanca in ureditve delovne postaje, ter tudi od časa izpostavljenosti in fizične pripravljenosti uporabnika.

Mi, **Atlas Copco Tools AB**, ne odgovarjamo za posledice uporabe deklariranih vrednosti namesto dejanskih vrednosti izpostavljenosti pri posameznih ocenah tveganj na delovnih mestih, nad katerimi nimamo nadzora.

To orodje lahko ob neprimerni uporabi povzroči vibracijsko bolezen v dlaneh in rokah. Vodič EU za obvladovanje vibracij v dlaneh in rokah najdete na <http://www.humanvibration.com/EU/VIBGUIDE.htm>

Priporočamo program zdravstvenega nadzora za zgodnje odkrivanje simptomov, povezanih z izpostavljenostjo vibracijam, da se lahko z ustreznimi organizacijskimi ukrepi preprečijo nadaljnje poškodbe.

Instrucțiuni de siguranță

Informații importante pentru utilizarea în siguranță

Aceste instrucțiuni se referă la instalarea, operarea, manipularea și întreținerea produsului, a accesoriilor demontabile și a echipamentelor.



- Este vital ca operatorul să citească și să înțeleagă instrucțiunile, înainte de folosirea produsului.
- Păstrați instrucțiunile ca referință și asigurați-vă că operatorul are acces la acestea.
- Nerespectarea acestor instrucțiuni poate conduce la pericole serioase

Obiectivul nostru este fabricarea de unelte care să vă ajute să lucrați în siguranță și eficient.

Cel mai important dispozitiv de siguranță pentru aceste unelte, sau oricare altele, sunteți chiar Dumneavoastră.

Grija și o judecată bună sunt cele mai bune măsuri de protecție împotriva accidentelor.

Din motive de răspundere privind produsul și de siguranță, unealta nu trebuie modificată. Acest produs poate fi montat, reglat și folosit exclusiv de mecanici calificați și instruiți.

Nu putem prezenta aici toate pericolele posibile, dar cele mai importante sunt menționate. Pentru informații adiționale de siguranță, consultați:

- Documentele și informațiile adiționale din pachet
- Angajatorul, sindicatul și/sau asociația profesională
- Standardele corespunzătoare, conform secțiunii "Declarație de conformitate CE"

Mai multe informații referitoare la sănătate și siguranță profesională pot fi obținute accesând următoarele pagini de Internet:

<http://www.osha.gov> (SUA)

<http://europe.osha.eu.int> (Europa)

Cuvinte de avertizare

Cuvintele de avertizare precum PERICOL, AVERTIZARE, și PRECAUTIE au următoarele înțelesuri:

PERICOL	Reprezintă o situație periculoasă, care dacă nu este evitată poate cauza răni serioase sau chiar moartea.
AVERTIZARE	Reprezintă o situație periculoasă, care dacă nu este evitată poate cauza răni serioase sau chiar moartea.
PRECAUTIE	Reprezintă o situație periculoasă, care dacă nu este evitată poate cauza răni minore sau moderate.

Măsuri personale de precauție și calificări

Montare, depozitare, întreținere și eliminare

Montarea, depozitarea, întreținerea și eliminarea produsului poate fi executată de următoarele persoane:

- persoane care au capacitatea fizică să se descurce cu dimensiunile, greutatea și puterea uneltei
- persoane care cunosc toate instrucțiunile de securitate naționale și instrucțiunile de prevenire a accidentelor relevante
- persoane care au citit și au înțeles instrucțiunile de folosire

Folosire

Produsul poate fi folosit exclusiv de mecanici calificați. Un mecanic este considerat calificat, dacă:

- are capacitatea fizică să se descurce cu dimensiunile, greutatea și puterea uneltei
- este instruit cu privire la folosirea produsului, în conformitate cu directivele naționale
- cunoaște toate instrucțiunile de securitate naționale și instrucțiunile de prevenire a accidentelor relevante
- a citit și a înțeles instrucțiunile de folosire

Echipamente de protecție personală

⚠ AVERTIZARE Pericol de prindere

- ▶ Nu purtați bijuterii sau haine largi
- ▶ Țineți la distanță cravatele, fularele de uneltă și accesoriile pentru a evita ștrangularea
- ▶ Țineți la distanță părul de uneltă și accesoriile pentru a evita desprinderea scalpului

Echipamentele de protecție personală trebuie să respecte reglementările aplicabile referitoare la sănătate și siguranță

Purtați întotdeauna următoarele echipamente de protecție:

- Cască de protecție
- Protecție pentru urechi
- Ochelari de protecție cu scut lateral
- Mănuși de protecție
- Încălțăminte de protecție

Droguri, alcool și medicamente

Drogurile, alcoolul și medicamentele pot slăbi capacitatea de a gândi rațional și puterea de concentrare

⚠️ AVERTIZARE Reacțiile târzii și evaluarea incorectă a situației pot conduce la accidentări serioase sau chiar moarte

- ▶ Nu folosiți niciodată produsul sub influența drogurilor, alcoolului sau medicamentelor
- ▶ Nu lăsați persoanele sub influența drogurilor, alcoolului sau medicamentelor să folosească produsul

Montare, folosire și întreținere: măsuri de precauție

⚠️ AVERTIZARE Materiale și gaze explozive, pericol de explozie

Dacă produsul intră în contact cu materiale explozive, poate cauza o explozie. Exploziile pot provoca vătămări corporale grave sau chiar moarte.

În timpul folosirii produsului pot apărea scântei, care pot detona praful sau gazele inflamabile și pot provoca incendii sau explozii.

- ▶ Nu folosiți niciodată produsul lângă materiale explozive
- ▶ Nu lucrați niciodată într-un mediu inflamabil sau exploziv
- ▶ Asigurați-vă că nu există surse ascunse de gaz în zona unde lucrați

⚠️ AVERTIZARE Șoc electric

În cazul în care produsul vine în contact cu circuite electrice sau alte surse de electricitate, există pericol de accidentări serioase sau chiar moarte.

- ▶ Nu lucrați niciodată lângă circuite electrice sau alte surse de electricitate
- ▶ Asigurați-vă că nu există circuite electrice ascunse în zona unde lucrați

⚠️ AVERTIZARE Pericole legate de praf

Praful, aburii sau alte materiale aeropurtate generate de operațiunile de polizare, tăiere, șlefuire, găurire mecanică sau alte activități de construcție pot conține chimicale considerate în Statul California ca fiind cauzatoare de cancer, defecte de naștere sau alte vătămări ale sistemului reproductiv. Exemple de chimicale dăunătoare:

- Silică cristalină și ciment, precum și alte materiale
- Arsenul și cromul din cauciucul tratat chimic
- Plumbul din vopsele pe bază de plumb
- ▶ Pentru a reduce expunerea la aceste produse chimice, munciți în locuri bine aerisite și folosiți echipamente de protecție aprobate, cum ar fi

măștile de protecție speciale, proiectate pentru a filtra particulele microscopice

- ▶ Evitați inhalarea de praf sau manipularea reziduurilor rezultate din procesul de lucru, care pot dăuna sănătății Dv.
- ▶ Când lucrați cu materiale care produc particule aeropurtate, utilizați dispozitive de aspirare a prafului, de exemplu un echipament de absorbție locală, și purtați echipament de protecție respiratorie.
- ▶ Praful și aburii rezultați din operațiunile de polizare sau șlefuire pot genera medii potențial explozive. Folosiți întotdeauna sisteme de absorbție sau reținere a prafului, potrivite materialului procesat

⚠️ AVERTIZARE Proiectile

În timpul operațiunilor de polizare, tăiere, șlefuire și găurire mecanică sau a altor activități de construcție, scântele, așchiile, fragmentele de disc sau alte particule pot deveni proiectile și pot cauza vătămări corporale prin lovirea mecanicului sau a altor persoane din jur.

Chiar și cele mai mici obiecte proiectate pot cauza leziuni la ochi sau chiar orbire.

- ▶ Dacă lucrați cu unealta sau vă aflați în zona de folosire, reparație sau întreținere a uneltei, precum și în timpul schimbării accesoriilor uneltei, purtați întotdeauna măști de protecție pentru față și ochi, rezistente la impact.
- ▶ Utilizați bariere pentru a-i proteja pe ceilalți de fragmente de disc și scântei provenite de la polizare.
- ▶ Asigurați-vă că toate persoanele prezente în zonă poartă măști de protecție pentru față și ochi rezistente la impact.

⚠️ AVERTIZARE Pericole legate de zgomot

Nivelul ridicat de zgomot poate cauza pierderea definitivă a auzului.

- ▶ Folosiți dispozitive de protecție a auzului, în conformitate cu reglementările referitoare la sănătatea și siguranța profesională.

⚠️ AVERTIZARE Pericole legate de vibrații

Expunerea la vibrații poate dăuna nervilor și poate bloca aprovizionarea cu sânge a brațelor și mâinilor.

- ▶ Mișcările de lucru repetitive, pozițiile incomode și expunerea la vibrații pot fi dăunătoare pentru mâinile și brațele Dv. Dacă simțiți amorțeală, furnicături, durere sau se albește pielea, nu mai utilizați unealta și consultați un medic.
- ▶ Nu trebuie utilizate accesorii cu coada îndoită.
- ▶ Dacă este posibil, utilizați unelte cu amortizor de vibrații.

- ▶ Reduceți timpul de expunere la vibrații

Informații generale

Construcție și funcționare

Acest șlefuitor este destinat exclusiv folosirii cu produse abrazive și cu echipament de șlefuire. Acest model necesită lubrifiere. Aparatul, precum și atașamentele și accesoriile acestuia pot fi folosite doar în scopul pentru care au fost proiectate, folosirea în orice alt scop fiind interzisă.

- Nu folosiți niciodată discuri de șlefuire sau debitare cu această mașină de șlefuit, fără apărători de disc.
- Nu atașați discuri de ferăstrău circulare sau alte discuri de tăiere, care nu sunt proiectate pentru a fi folosite cu această unealtă

Semne și etichete

Acest aparat este dotat cu semne și etichete, ce conțin informații importante cu privire la securitatea personală și la întreținere. Semnele și etichetele trebuie să fie întotdeauna lizibile. Se pot comanda noi semne și etichete prin folosirea listei pieselor de schimb.



UE DECLARAȚIE DE CONFORMITATE CE

Noi, Atlas Copco Tools AB, S-105 23 STOCKHOLM SWEDEN declarăm pe propria răspundere că produsul (însoțit de denumirea exactă și serie, vezi prima pagină) și accesoriile aferente acestuia, sunt în conformitate cu standardele europene în vigoare:

EN 792-8

și respectă directiva/directivele europeană/europene:
2006/42/EC

Stockholm, 29 decembrie 2009

Lennart Remnebäck, Manager general

Semnătura emitentului

Montare

Calitatea aerului

- Pentru performanțe optime și durată de viață maximală recomandăm utilizarea de aer comprimat având punctul de condensare între +2°C și +10°C. Se recomandă montarea unui uscător de aer cu răcire Atlas Copco.
- Utilizați un filtru de aer independent de tipul Atlas Copco FIL, care elimină particulele solide mai mari de 15 micrometri și cu conținut de apă în stare lichidă mai mare de 90%, montat cât mai aproape posibil de produs și înainte de orice alte dispozitive de preparare a aerului, cum ar fi unitățile REG sau DIM (vă rugăm, consultați secțiunea "Accesorii pentru linia de aer" din catalogul nostru principal). Suflați furtunul înainte de conectare.

Modele ce necesită lubrifiere:

- Aerul comprimat trebuie să conțină o cantitate mică de ulei. Recomandăm montarea unui DIM de lubrifiere cu aburi de ulei Atlas Copco, reglat în mod normal la 3-4 picături (50 mm³)/min pentru uneltele cu ciclu de funcționare lung, sau un dispozitiv de lubrifiere într-un singur punct Atlas Copco de tip Dosol pentru uneltele cu ciclu de funcționare scurt.

Pentru reglarea dispozitivului Dosol consultați secțiunea "Accesorii pentru linia de aer" din catalogul nostru principal.

Conectarea aerului comprimat

⚠ AVERTIZARE Aerul sub presiune poate cauza accidentări grave

- ▶ Dacă nu folosiți unealta, opriți alimentarea cu aer, eliberați presiunea din furtun și decuplați unealta de la linia de alimentare cu aer, înainte de orice operațiuni de reglare, cum ar fi schimbarea accesoriilor, sau reparații.
- ▶ Nu direcționați niciodată aerul spre Dv. sau spre alte persoane.

⚠ AVERTIZARE Furtunul aflat în mișcare sub presiunea aerului (efect de bici) poate cauza accidentări grave.

- ▶ Verificați întotdeauna ca furtunurile și fittingurile să nu fie deteriorate sau desfăcute

Verificați presiunea aerului:

- Produsul este proiectat pentru o presiune de lucru de (e) 6–7 bari = 600–700 kPa = 87–102 psig
- Presiunea aerului la admisie, cu produsul în funcțiune nu trebuie să depășească presiunea maximă de operare de 7 bari - 700 kPa - 100 psig
- Suflați furtunul înainte de conectare

Folosire

Consultați și secțiunea "*Instrucțiuni de service*"

Pregătirea folosirii șlefuitorului

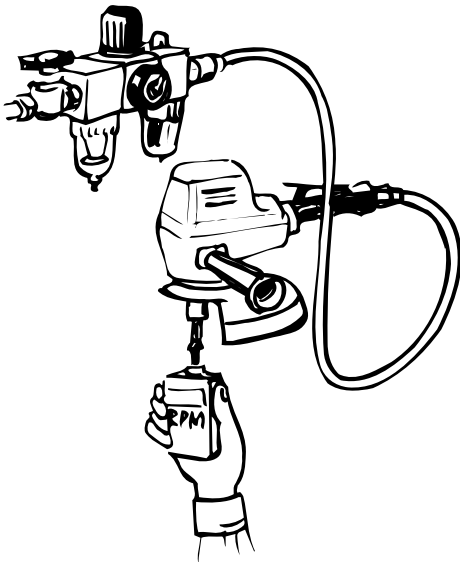
Funcționarea corectă a șlefuitorului

⚠ AVERTIZARE Supraturația poate cauza accidentări serioase sau chiar moarte

- ▶ Nu trebuie depășită turația maximă admisibilă marcată pe mașină.

Testarea șlefuitorului trebuie efectuată exclusiv de tehnicieni profesioniști. Tehnicienii trebuie să fie autorizați pentru testarea acestui tip de unealtă și pentru folosirea unui sistem pneumatic, în conformitate cu directivele naționale.

- Turația de funcționare fără sarcină a mașinii trebuie verificată în fiecare zi și ori de câte ori aparatul este supus unor reparații. Această verificare trebuie efectuată cu echipamentul pentru polizare detașat



- Utilizați un regulator de presiune pentru a evita presiunea excesivă a aerului, care poate produce depășirea turației nominale.
- Conexiunile și furtunul de aer trebuie să fie în stare bună.

Echipament abraziv montat

⚠ AVERTIZARE Aerul sub presiune poate cauza accidentări grave

- ▶ Dacă nu folosiți unealta, opriți alimentarea cu aer, eliberați presiunea din furtun și decuplați unealta de la linia de alimentare cu aer, înainte de orice operațiuni de reglare, cum ar fi schimbarea accesoriilor, sau reparații.

⚠ AVERTIZARE Echipamentele abrazive necorespunzătoare pot exploda și cauza accidentări serioase sau moarte.

- ▶ Folosiți întotdeauna o talpă de șlefuit sau disc abraziv marcat cu o turație permisă egală sau mai mare decât turația șlefuitorului cu aer.
- ▶ Nu utilizați alte tălpi de șlefuire sau discuri abrazive, decât cele specificate de fabricant (nu folosiți discuri pentru debitare sau capete de rindeluire). Consultați secțiunea "*Construcție și funcționare*".
- Folosiți doar materiale abrazive de dimensiunile și tipurile recomandate
- Nu folosiți discuri cu coadă sparte sau crăpate, sau discuri scăpate pe jos
- Pentru a preveni accidentările cauzate de discurile cu coadă sparte, este nevoie de montare corespunzătoare
- Folosiți doar discuri sau pânze de șlefuire abrazive bine fixate de talpa de șlefuire livrată împreună cu șlefuitorul cu aer. Asigurați-vă că discurile de șlefuit autofixabile sunt montate concentric

Utilizarea corectă a șlefuitorului

Înainte de folosirea șlefuitorului, citiți secțiunea "*Instrucțiuni de securitate*".



⚠ AVERTIZARE Nerespectarea practicilor de lucru corecte poate conduce la accidentări grave sau chiar moarte

- ▶ Dacă folosiți o unealtă proiectată să fie folosită cu o barieră, montați bariera pentru a vă proteja de zgura de șlefuire și alte reziduuri
- ▶ Asigurați-vă că piesa de lucru este susținută corespunzător
- ▶ Asigurați-vă că scântelele nu reprezintă un pericol pentru oameni sau materiale
- ▶ Dacă unealta se folosește pe plastic sau alte materiale neconductoare, există riscul unor descărcări electrostatice
- ▶ Trebuie utilizate echipamente de protecție personală, conform celor arătate în secțiunea "*Echipamente de protecție personală*"

- ▶ Alunecarea/împiedicarea/căderea sunt cauzele principale ale accidentărilor grave sau a morții. Fiți atenți la furtunul/cablul în exces lăsat pe calea de acces sau pe suprafața de lucru.
- ▶ În zone necunoscute acționați cu grijă. Pot exista pericole ascunse, cum ar fi liniile de electricitate sau alte utilități
- ▶ Mențineți corpul în echilibru și picioarele în poziție stabilă
- ▶ Reacționați rapid la vibrația excesivă cauzată de un accesoriu deteriorat sau montat necorespunzător
- ▶ Aveți grijă la arborele și discurile abrazive în rotație. Rotirea poate continua timp de câteva secunde și după eliberarea comenzii. Nu așezați unealta înainte de a se opri din rotație
- ▶ Țineți seama, că aerul comprimat stocat în furtun poate provoca o pornire accidentală.
- ▶ În cazul defectării alimentării electrice eliberați dispozitivul de acționare

Întreținerea

Protecția împotriva ruginii și curățarea interioară

Apa din aerul comprimat, particule de praf sau uzura, pot cauza ruginirea și blocarea lamelelor și a supapelor

Soluționarea acestor probleme se poate realiza prin lubrifiere cu ulei (câteva picături), pornirea mașinii pentru 5-10 secunde și absorbirea uleiului cu o lavetă. **Efectuați această operațiune înainte de perioade de nefolosire lungi.**

Lubrifierea

Mașina este echipată cu un angrenaj unghiular care este lubrifiat cu o vaselină semifluidă pentru a asigura o bună rezistență la uzură. Pentru a evita supraumplerea, care poate avea ca rezultat creșterea temperaturii și deteriorarea etanșărilor, nu există niplu de lubrifiere. În schimb, vaselina trebuie schimbată după cca 200 ore de funcționare prin scoaterea axului angrenajului unghiular.

Pentru proprietăți de ungere corecte - utilizați vaselina de tip semifluid Urethyn GE00. Cantitatea necesară de vaselină este de maximum 3 7cm³.

- ❗ **Nu utilizați vaselină pentru rulmenți cu bile sau vaselină pentru carcasă.**

Ghid de lubrifiere

Utilizați lubrifianț de bună calitate. Uleiurile și vaselinele prezentate în tabelul de lubrifiere sunt exemple pentru tipuri recomandate de lubrifianți.

Marca	Uz general Lagăre	Lubrifiere aer
BP	Energrease LS-EP2	Energol E46
Castrol	Spheerol EP L2	
Esso	Beacon EP2	Arox EP46
Q8	Rembrandt EP2	Chopin 46
Mobil	Mobilegrease XHP 222	Almo oil 525
Shell	Alvania EP2	Tonna R32
Texaco	Multifak EP2	Aries 32
Molycote	BR2 Plus	

Revizie generală

⚠ AVERTIZARE Supratarea poate cauza accidentări serioase sau chiar moarte

- ▶ Dacă folosiți un regulator, asigurați-vă că ați montat unul potrivit. Manipularea neglijentă îl poate scoate din funcțiune.
- ▶ Nu demontați componentele de securitate, de exemplu regulatorul de turație sau dispozitivul de oprire la supratarea. Aceste piese trebuie înlocuite complet dacă sunt deteriorate
- ▶ După operațiuni de service, verificați întotdeauna turația de funcționare fără sarcină a mașinii. Consultați secțiunea "*Pregătirea folosirii șlefuitorului*"

Pentru întreținere preventivă, vaselina din angrenajul unghiular trebuie schimbată după aproximativ 200 ore de funcționare. Consultați recomandările de la secțiunea "*Lubrifiere*".

Mașina trebuie verificată regulat, în întregime, la intervale de 6 luni. Dacă mașina funcționează în regim de lucru dificil sau nu funcționează corespunzător trebuie scoasă mai des din exploatare, pentru inspecție.

Verificați uzura buzei de etanșare și a coloanei alăturate. Etanșarea este esențială pentru menținerea lubrifianțului în cutia angrenajului.

Pentru a preveni înfundarea și scăderea capacității, filtrul admisiei de aer trebuie curățat frecvent.

- ❗ **Curățați componentele motorului și aplicați un strat subțire de ulei de lubrifiere pe lamele și pe suprafața interioară a cilindrului și a plăcilor terminale. Asamblați motorul și verificați dacă rulează liber. Adăugați două picături de ulei prin admisia de aer și rulați motorul la turația de mers în gol pentru 5-10 secunde.**

Informații utile

Sunt disponibile pe site-ul nostru toate informațiile necesare despre produse, accesorii, piese de schimb etc.!

 Vizitați www.pro-powertools.com

Date tehnice

Emisiile de zgomot și vibrație

Zgomot (în conformitate cu PN8NTC1.2)	dBA
Nivelul presiunii sunetului	75
Nivelul intensității sunetului	-
Incertitudine	Noise spread
	-
	volume

Valoarea totală a vibrației, valabilă din 2010 (valori pe 3 axe în conformitate cu Vibration according new - volume)	m/s ²
Valoarea vibrației	Vibration value new - volume
Incertitudine	Vibration spread new - volume

Valoarea vibrației, valabilă până în 2009 (valori pe 1 axă în conformitate cu EN/ISO 8662-8)	m/s ²
Valoarea vibrației	<2.5

Declarație cu privire la nivelul de zgomot și de vibrații

Aceste valori declarate au fost obținute la testarea în laborator în conformitate cu standardele menționate și se pot compara cu valorile declarate ale celorlalte unelte testate în conformitate cu respectivele standarde. Aceste valori declarate nu pot fi folosite în cadrul evaluărilor de risc iar valorile măsurate la unitățile de lucru individuale pot fi mai mari. Valorile efective ale expunerii și riscul de vătămare suportat de un utilizator individual sunt unice și depind de modul de desfășurare a activității utilizatorului, de tipul lucrării și de designul spațiului de lucru, precum și de timpul de expunere și de condiția fizică a utilizatorului.

Noi, **Atlas Copco Tools AB**, nu răspundem de consecințele utilizării valorilor declarate, în locul celor care reflectă expunerea efectivă individuală, folosite într-o evaluare a riscului unei situații de la locul de muncă, asupra căreia nu avem niciun control.

Această unealtă poate cauza sindromul tremurului brațelor dacă utilizarea ei nu este gestionată corect. Găsiți la <http://www.humanvibration.com/EU/VIBGUIDE.htm> un ghid al UE pentru gestionarea tremurului brațelor.

Vă recomandăm un program de monitorizare a sănătății pentru a detecta simptomele timpurii care

pot apărea ca urmare a expunerii la zgomot și vibrații, astfel încât procedurile de management să poată fi modificate pentru a ajuta la prevenirea agravării situației.

Ohutusjuhised

Oluline teave ohutu kasutamise kohta

Siintoodud juhised puudutavad toote, paigaldatud/monteeritud tööriista ja seadmete paigaldust, töötamist, käsitlemist ja hooldust.



- Enne toote kasutamist tuleb juhised läbi lugeda ja neist aru saada.
- Hoidke juhised alles hilisemaks kasutamiseks ja veenduge, et need oleksid töötajatele kättesaadavad.
- Juhiste mittejärgimine võib põhjustada tõsist ohtu.

Meie eesmärk on valmistada tööriistu, mis aitavad teil töötada ohutult ja tõhusalt.

Kõige olulisem ohutusvahend nii selle kui ka muude tööriistade puhul olete te ise.

Teie hool ja hea otsustusvõime on parim kaitse vigastuste vastu.

Lähtuvalt tootevastutusest ja -ohutusest ei tohi seda elektritööriista muuta. Tööriista võivad paigaldada, reguleerida ja kasutada üksnes kvalifitseeritud ja väljaõppinud töötajad.

Kõiki võimalikke ohte ei suuda me siin hõlmata, kuid toome esile mõned kõige olulisemad. Lisateabe saamiseks ohutuse kohta küsige nõu või tutvuge:

- tööriistaga kaasasolevate muude dokumentide ja teabega
- oma tööandjalt, ühingult ja/või kaubandusühingult
- Punktis *EL vastavuskinnitus* nimetatud asjakohaste standarditega

Lisateavet töötervishoiu ja ohutuse kohta saate järgmistelt saitidelt:

<http://www.osha.gov> (USA)

<http://europe.osha.eu.int> (Europe)

Ohutuse märksõnad

Ohutuse märksõnadel HÄDAOHT, HOIATUS ja ETTEVAATUST on järgmised tähendused:

HÄDAOHT	Osutab ohtlikule olukorrale, mis põhjustab surma või tõsiseid vigastusi, kui ohtu ei hoita ära.
HOIATUS	Osutab ohtlikule olukorrale, mis võib põhjustada surma või tõsiseid vigastusi, kui ohtu ei hoita ära.
ETTEVAATUST	Osutab ohtlikule olukorrale, mis võib põhjustada väiksemaid või keskmisi vigastusi, kui ohtu ei hoita ära.

Isiklikud ettevaatusabinõud ja kvalifikatsioonid

Paigaldamine, hoidmine, hooldus ja hävitamine

Toote paigaldamise, hoidmise, hoolduse ja hävitamisega peavad tegelema isikud,

- kellele tööriista suurus, kaal ja võimsus ei käi üle jõu
- kes tunnevad kõiki asjakohaseid riiklikke ohutusnõudeid ja õnnetuse vältimise juhiseid
- kes on läbi lugenud ja mõistnud kasutusjuhiseid

Töötamine

Tootega võivad töötada üksnes kvalifitseeritud töötajad. Töötaja on kvalifitseeritud,

- tööriista suurus, kaal ja võimsus ei käi talle üle jõu
- kui ta on saanud väljaõppe tootega töötamiseks vastavalt riiklikele direktiividele
- kui ta tunneb kõiki asjakohaseid riiklikke ohutusnõudeid ja õnnetuse vältimise juhiseid
- kui ta on läbi lugenud ja mõistnud kasutusjuhiseid

Isikukaitsevahendid

⚠ HOIATUS Takerdumisoht

- ▶ Ärge kandke ehteid ega lohmakaid riideid
- ▶ Kägistamise vältimiseks ärge hoidke tööriistu ja tarvikuid kaeluse lähedal
- ▶ Hoidke juuksed eemal tööriistast ja tarvikutest

Isikukaitsevahend peab vastama kehtivatele töötervishoiu- ja ohutusnõuetele.

Kandke alati järgmisi isikukaitsevahendeid:

- Kaitsekiiver
- Kuulmiskaitse
- Külgakaitsega kaitseprillid
- Kaitsekindad
- Kaitsejalatsid

Uimastid, alkohol ja ravimid

Uimastid, alkohol ja ravimid võivad vähendada teie otsustus- ja kontsentratsioonivõimet.

⚠ HOIATUS Kehv reaktsioon ja vale hinnang võib põhjustada tõsist õnnetust või surma

- ▶ Ärge töötage seadmega, kui olete uimastite, alkoholi või ravimite mõju all
- ▶ Ärge laske seadet kasutada inimestel, kes on uimastite, alkoholi või ravimite mõju all

Paigaldamine, töötamine ja hooldus: ettevaatusabinõud

⚠ HOIATUS Lõhkeained ja plahvatavad gaasid, plahvatusoht

Toote kokkupuutel lõhkeainetega võib toimuda plahvatus. Plahvatus võib põhjustada tõsiseid vigastusi või surma.

Seadmega töötamisel võivad tekkida sädemed, mis võivad panna plahvatama tuleohtliku tolmu ja gaasid, mis võib põhjustada tulekahju või plahvatust.

- ▶ Ärge töötage seadmega lõhkeainete läheduses
- ▶ Ärge töötage tule- või plahvatusohtlikus keskkonnas
- ▶ Veenduge, et teie töökohal ei oleks peidetud gaasiallikaid

⚠ HOIATUS Elektrilöök

Seadme kokkupuude elektriabiga või muu elektrilõõgaga võib põhjustada tõsiseid vigastusi või surma.

- ▶ Ärge töötage elektriabiga või muu elektrilõõga läheduses
- ▶ Veenduge, et teie töökohal ei oleks peidetud elektrilõõgaid

⚠ HOIATUS Tolmuoht

Lihvimisel, saagimisel, puurimisel või muu ehitustegevuse käigus tekkiv tolm, suits või muud õhus olevad ained sisaldavad kemikaale, mida loetakse California osariigis vähki ja sünnidefekte põhjustavateks ning sigivust kahjustavateks. Mõned näited sellistest kemikaalidest:

kristalliline ränioksiid, tsement ning muud müürsepatöös eralduvad ained.

keemiliselt töödeldud kummist eralduv arseen ja kroom.

pliiipõhistest värvidest eralduv plii.

- ▶ Kemikaalidega kokkupuute vähendamiseks töötage hästiventileeritud kohas ja kasutage heakskiidetud kaitsevahendeid, näiteks üliväikesi osakesi filtreerivat tolmu maski
- ▶ Vältige tolmu sissehingamist ja töötamise ajal tekkiva prahi käsitlemist, mis võib olla kahjulik teie tervisele
- ▶ Töötades materjalidega, mis eraldavad õhku tolmuosakesi, eemaldage tolm näiteks imiseadmega ja kandke hingamiskaitset
- ▶ Lihvimisel või silumisel tekkiv tolm või suits võib tekitada plahvatusohtliku olukorra. Kasutage alati töödeldava materjaliga sobivaid tolmu eraldamis- või eemaldamissüsteeme

⚠ HOIATUS Heitkehad

Lihvimisel, saagimisel, puurimisel või muu ehitustegevuse käigus võivad kübemed, killud, kettakillud või muud osakesed muutuda heitkehadeks ja põhjustada töötajale või teistele isikutele kehavigastusi.

Silmavigastust ja pimedaksjäämist võivad põhjustada isegi väikesed heitkehad.

- ▶ Tööriista töötamise, parandamise ja hooldamise või tarvikute vahetamise ajal kandke alati löögikindlat silma- ja näokaitset
- ▶ Teiste inimeste kaitseks kettakildude ja lihvimisosakeste eest kasutage barjääri
- ▶ Kontrollige, et teised läheduses viibivad isikud kannaksid löögikindlat silma- ja näokaitset

⚠ HOIATUS Mürasoht

Kõrge müratase võib põhjustada täielikku kuulmiskadu.

- ▶ Vastavalt töötavishoiu- ja ohutusnõuetele kandke kuulmiskaitset

⚠ HOIATUS Vibratsioonioht

Vibratsiooniga kokkupuutumine võib kahjustada närve ja takistada käte verevarustust.

- ▶ Korduvad liigutused, ebamugav asend ja vibratsioon võib kahjustada käsi. Kui käed muutuvad tuimaks, kipitavad, valutavad või kui nahk muutub valgeks, lõpetage töö ja pöörduge arsti poole
- ▶ Sissepandavaid lõikureid ei tohi kasutada, kui korpus on vigastatud
- ▶ Võimaluse korral kasutage vibratsioonisummutusega tööriistu
- ▶ Vähendage vibratsiooniga kokkupuuteaega

Üldteave

Konstruksioon ja funktsioon

Lihvmasin on mõeldud üksnes abrasiivtoodete ja täiteseadmete jaoks. See mudel on määritud. Seadet koos lisaseadiste ja tarvikutega tohib kasutada üksnes selleks ettenähtud otstarbel.

- Ärge kasutage seadmel ilma kettakaitseta lihvi- või lõikeketaid
- Mitte kasutada tööriistal ketassae terasid või muid lõikureid

Märgid ja kleebised

Masinale on paigaldatud olulise isikliku ohutusteabega ja masina hooldusteabega märgid ja kleebised. Paigaldatud märgid ja kleebised peavad

olema alati loetavad. Uute märkide ja kleebiste tellimiseks kasutage varuosade loendit.



EL VASTAVUSKINNITUS

Atlas Copco Tools AB, S-105 23, STOCKHOLM, ROOTSI, kinnitab täie vastutusega, et meie tooted (vt. seerianumbrit ja tüüpi esilehel) koos meie lisaseadmetega vastavad järgnevatele standarditele:

EN 792-8

Ning on vastavuses järgnevate direktiividega:

2006/42/EC

Stockholm, 29 detsembrist 2009

Lennart Remnebäck, Tegevdirektor

Väljaandja allkiri

Paigaldus

Õhu kvaliteet

- Selleks et toode töotaks optimaalselt ja pikka aega, soovime kasutada suruõhku, mille kastepunkt on +2...+10 °C. Soovitav on paigaldada Atlas Copco jahutaja tüüpi õhukuivati
- Atlas Copco FIL õhufiltri kasutamine eemaldab üle 15 mikroni suurused osakesed ja üle 90% vett. Filter tuleb paigaldada võimalikult seadme lähedale ning enne mis tahes muud õhu ettevalmistusseadet, nagu näiteks REG või DIM (vt meie põhikataloogist punkti Õhujuhtme tarvikud). Enne ühendamist puhuge voolik läbi

Määritud mudelid:

- Suruõhk peab sisaldama väikeses koguses õli. Pikaajaliselt töötavatele tööriistadele soovime paigaldada Atlas Copco õli määrimiseadise DIM, mis on seatud 3–4 tilgale (50 mm³)/min ning lühiajaliselt töötavatele tööriistadele Atlas Copco ühiepunktilise määrimiseadise. Dosoli seadeid vt meie põhikataloogi punktis Õhujuhtme tarvikud.

Suruõhu ühendus

⚠ HOIATUS Rõhu all olev õhk võib põhjustada tõsiseid vigastusi

- Enne toote reguleerimist, näiteks tarvikute vahetamist või parandamist, või kui seadet ei ole kaua kasutatud, sulgege õhu juurdevool,

tühjendage voolik ja ühendage tööriist õhuvarustusest lahti

- ▶ Ärge suunake õhuvoolu endale ega teistele

⚠ HOIATUS Voolikuga pihtasaamine võib põhjustada vigastusi

- ▶ Kontrollige, et voolikud ja liidesed oleksid terved

Kontrollige õhurõhku:

- toote tööõhk peab olema (e) 6–7 baari = 600–700 kPa = 87–102 psig
- Seadme töötamise ajal ei tohi õhurõhk õhu sissevoolu juures ületada maksimaalset tööõhku 7 baari – 700 kPa – 102 psig
- Enne ühendamist puhuge voolik läbi

Töötamine

Vt ka *Teenindusjuhiseid*

Ettevalmistused enne lihvmasinaga töötamist

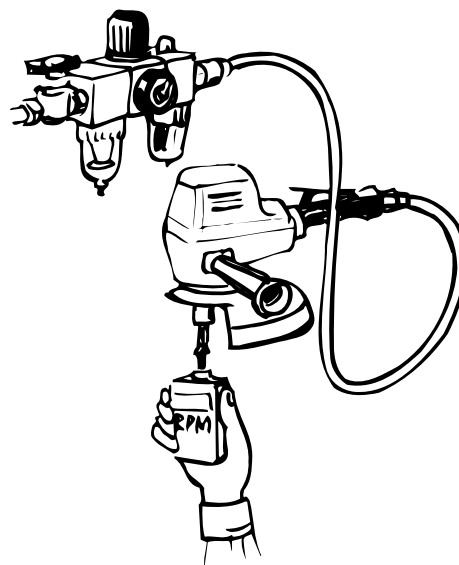
Lihvmasina õige toimimine

⚠ HOIATUS Ülekiirus võib põhjustada tõsiseid vihasusi või surma

- ▶ Masinal märgitud suurimat lubatud kiirust ei tohi ületada

Lihvmasina testimist peavad läbi viima professionaalsed töötajad. Vastavalt riiklikele direktiividele peab töötajatel olema luba sellist tüüpi tööriistade testimiseks ja pneumaatiliste süsteemidega töötamiseks.

- Seadme vabakäiku kontrollitakse iga päev ja iga kord pärast hooldust. Kontrolli tehakse ilma lihvseadmeta



- Üleliigse õhurõhu vältimiseks, mis võib põhjustada ülekiirust, kasutage rõhuregulaatorit
- Ühendused ja õhuvoolik peavad olema heas seisukorras

Abrasiivseade

⚠ HOIATUS Rõhu all olev õhk võib põhjustada tõsiseid vigastusi

- ▶ Enne toote reguleerimist, näiteks tarvikute vahetamist või parandamist, või kui seadet ei kasutata, sulgege õhu juurdevool, tühjendage voolik ja ühendage tööriist õhuvarustusest lahti

⚠ HOIATUS Vale abrasiivseade võib põhjustada tõsiseid vigastusi või surma

- ▶ Kasutage ketast või abrasiivseadet, mille lubatud kiirus on lihvmasina kiirusest suurem või sellega võrdne
- ▶ Kasutage üksnes tootja määratud ketast või abrasiivseadet (mitte kasutada lõikeketast või hammasfreesi). Vt punkti *Konstruksioon ja funktsioon*.
- Kasutage üksnes soovitatava suuruse ja tüübiga abrasiivkettaid
- Ärge kasutage pragudega või mahakukkunud kettaid
- Vigastuste vältimiseks ketta purunemisel tuleb seade õigesti kokku panna
- Kasutage üksnes kaetud lihvkettaid või lihvpaberit, mis on korralikult kinnitatud kaasasoleva otsmuhviga. Paigaldage isekinnituvad lihvkettad kontsentriliselt

Õige töötamine

Enne lihvmasinaga tööle asumist lugege läbi *Ohutusjuhised*.



⚠ HOIATUS Õigete töövõtete mittejärgimine võib põhjustada tõsist vigastust või surma

- ▶ Kaitseks lihvimisjäätmete või muu prahi eest tuleb masinal kasutada kettakaitset, kui see on ette nähtud
- ▶ Veenduge, et töödeldav detail oleks korralikult toetatud

- ▶ Veenduge, et sädemed ei ohusta inimesi ega materjale
- ▶ Tööriista kasutamisel plastil ja muudel mittejuhtivatel materjalidel võib tekkida elektrostaatiline lahendus
- ▶ Kasutada isikukaitsevahendeid, nagu punktis *Isikukaitsevahendid* on kirjeldatud
- ▶ Libisemine, väaratamine või kukkumine on peamised vigastuste või surma põhjused. Veenduge, et voolik ei jääks jalgu ega oleks tööpinnal
- ▶ Tundmatus keskkonnas töötage ettevaatlikult. Elektri- või teised tehnovõrgud võivad olla ohtlikud
- ▶ Säilitage tasakaalustatud kehaasend ning seiske kindlal alusel
- ▶ Reageerige kiiresti liigsele vibratsioonile, mida võib põhjustada vigane või ebaõigesti paigaldatud sissepandav lõikur
- ▶ Hoidke eemal pöörlevast käigukruvist ja abrasiivkettast. Pärast väljülitamist võib pöörlemine jätkuda mõne sekundi jooksul. Ärge pange tööriista käest enne, kui pöörlemine on lõppenud
- ▶ Voolikus olev suruõhk võib seadme juhuslikult käivitada
- ▶ Kui elektritoide katkeb, vabastage lüliti

Hooldus

Roostekaitse ja sisemine puhastamine

Suruõhus sisalduv vesi, tolm ja kulumisosakesed põhjustavad mootorilabade, klappide jm roostetamist ja kinniäämist.

Et seda ei juhtuks, tuleb seadet õliga määrada (mõni tilk), lasta sel 5–10 sekundit tööda ja pühkida üleliigne õli lapiga ära. **Tehke seda enne, kui jätate masina pikemaks ajaks seisma.**

Määrimine

Masinal on nurkülekanne, mida määratakse kulumise vältimiseks poolvedela määrdega. Ületäitmise vältimiseks, mida võib põhjustada temperatuuri tõus või vigastatud tihend, puudub seadmel määrdenippel. Määret vahetatakse 200 töötunni järel ning selleks eemaldatakse nurkülekanne völli.

Määrimiseks soovitakse kasutada Urethyn GE00 poolvedelat määret. Vajalik määrdekogus on maksimaalselt 7cm³.

- ⓘ **Ärge kasutage kuullaagritele või šassiile mõeldud määret**

Määrimisjuhised

Kasutada üksnes kvaliteetseid määrideid. Tabelis on toodud soovitatavad õlid ja määrded.

Mark	Üldine otstarve Laagrid	Õhuava määrimine
BP	Energol LS-EP2	Energol E46
Castrol	Spheerol EP L2	
Esso	Beacon EP2	Arox EP46
Q8	Rembrandt EP2	Chopin 46
Mobil	Mobilegrease XHP 222	Almo oil 525
Shell	Alvania EP2	Tonna R32
Texaco	Multifak EP2	Aries 32
Molycote	BR2 Plus	

Ülevaatus

⚠ HOIATUS Ülekiirus võib põhjustada tõsiseid vihasusi või surma

- ▶ Kui kasutatakse kiirusregulaatorit, kontrollige selle õigsust. Hooletu käsitlemise korral võib see rikki minna
- ▶ Ärge võtke ära turvaosi, nt kiirusregulaator või ülekiiruse väljalülitus. Vigastuste korral tuleb need osad täielikult välja vahetada
- ▶ Pärast hooldust kontrollige seadme vabakiirust. Vt punkti *Ettevalmistused enne lihvmasinaga töötamist*

Ennetava hoolduse puhul tuleb nurkülekande määret vahetada umbes 200 töötunni järel. Vt punktis *Määrimine* toodud juhiseid.

Masinat tuleb kontrollida iga kuue kuu tagant. Masinat tuleb sagedamini kontrollida, kui sellega töötatakse raskes töörežiimis või kui see ei tööta korralikult.

Kontrollige tihendusserva ja varda kulumist. Tihend hoiab õli käigukastis.

Ummistumise või seadme jõudluse vähenemise vältimiseks tuleb õhu sissevooluaval olevat filtrit sagedamini puhastada.

- ⓘ **Puhastage mootori osi ja määrige õhuke õlikiht mootorilabadele, silindri sisele ja otsplaadile. Pange mootor kokku ja kontrollige, et see töötaks vabalt. Lisage õhu sissevooluava kaudu mõni tilk õli ning laske mootoril töötada 5-10 sekundit tühikäigul.**

Kasulik teave

Kodulehelt leiate lisateavet Pro toodete, lisaseadmete, varuosade ja avaldatud materjalide kohta!

📖 **Logige kodulehele www.pro-powertools.com**

Tehnilised andmed

Müra ja vibratsiooni emissioon

Müra (vastavuses PN8NTC1.2)	dBA
Helirõhu tase	75
Helivõimsuse tase	-
Määramatus	Noise spread
	-
	volume

Vibratsiooni koguväärtus, kehtib aastast 2010 (3-telje väärtus vastavalt Vibration according new - volume)

Vibratsiooniväärtus	m/s ²
Vibratsiooniväärtus	Vibration value new - volume
Määramatus	Vibration spread new - volume

Vibratsiooni koguväärtus, kehtib aastast 2009 (1-telje väärtus vastavalt EN/ISO 8662-8)

Vibratsiooniväärtus	m/s ²
Vibratsiooniväärtus	<2.5

Müra- ja vibratsioonialane deklaratsioon

Deklareeritud väärtused on saadud kehtivate standardite järgi läbi viidud tüübikatsetuste tulemusena ja on sobivad samade standardite kohaselt katsetatud muude tööriistade deklareeritud väärtustega võrdlemiseks. Käesolevad deklareeritud väärtused pole piisavad kasutamiseks riskihindamisel, samuti võivad konkreetsetel töökohtadel mõõdetud väärtused osutuda suuremaks. Iga konkreetse kasutaja puhul on tegelikud kahjulike mõjurite väärtused ja riskitase erinevad, sõltudes kasutaja töövõtetest, töödeldavast detailist ja töökohta korraldusest, samuti mõjurite toimeaja kestusest ja kasutaja füüsilisest seisundist.

Atlas Copco Tools AB ei kannu vastutust võimalike tagajärgede eest, mis võivad tekkida deklareeritud väärtuste kasutamise korral üksikisiku töökeskkonna riskianalüüsis tegelikku olukorda kajastavate väärtuste asemel tööolukorras, kui meil puudub võimalus töökeskkonna tingimusi määrata.

Käesolev tööriist võib põhjustada käte vibratsioonitõbe, kui selle kasutamisel ei järgita asjakohaseid juhiseid. Vastavad juhised leiduvad ELi juhendamaterjalis käte vibratsioonitõvest hoidumise kohta, mis kättesaadav aadressil <http://www.humanvibration.com/EU/VIBGUIDE.htm>

Soovitame regulaarselt tervist kontrollida, et tuvastada vibratsioonist tingitud haiguste varajasi sümptomeid. Selle põhjal tuleb juhtimistoiminguid kohandada nii, et need aitaksid ennetada võimalikke edaspidiseid tervisekahjustusi.

Saugos nurodymai

Svarbi informacija dėl saugaus naudojimo

Ši instrukcija apima produkto, įstatyto/pritvirtinto įrankio ir įrangos įrengimą, naudojimą ir techninę priežiūrą.



- Būtina, kad operatorius prieš naudodamas šį produktą perskaitytų ir gerai suprastų šią instrukciją.
- Pasilikite instrukciją, kad ją būtų galima pasiskaityti vėliau ir pasirūpinkite, kad operatoriui ji visada būtų prieinama
- Nesilaikant šių nurodymų, gali iškilti didelis pavojus.

Mes siekiame gaminti įrankius, su kuriais būtų galima dirbti saugiai ir efektyviai.

Tačiau pats svarbiausias bet kokio įrankio saugumą užtikrinantis veiksnys yra pats dirbantysis.

Nuo bet kokių traumų geriausiai apsaugo atsargumas ir sveikas protas.

Draudžiama daryti bet kokius įrankio pakeitimus. Jei gaminys modifikuojamas, gamintojas neprisiima jokios civilinės atsakomybės dėl jo saugumo. Šį įrankį gali įrengti, reguliuoti ir naudoti tik kvalifikuoti ir apmokyti darbuotojai.

Šioje instrukcijoje negali būti aprašyti visi galimi pavojai, tačiau keli svarbiausi yra akcentuoti.

Daugiau informacijos apie darbo saugą galima gauti:

- iš kitų prie šio įrankio pridėdamų dokumentų
- iš darbdavio, profsąjungos ir/arba pramonės asociacijos
- iš atitinkamų standartų, nurodytų skyriuje *EB atitikties deklaracija*

Informacijos apie sveikatos apsaugą darbo vietoje ir darbo saugą galima rasti šiose interneto svetainėse: <http://www.vdi.lt> (Valstybinė darbo inspekcija) <http://europe.osha.eu.int> (Europos darbuotojų saugos ir sveikatos agentūra)

Įspėjamieji žodžiai

Įspėjamieji žodžiai „Pavojus“, „Įspėjimas“ ir „Dėmesio“ turi tokias reikšmes:

PAVOJUS	Nurodo pavojingą situaciją, kuri sukelia sunkią ar net mirtiną traumą.
ĮSPĖJIMAS	Nurodo pavojingą situaciją, kuri gali sukelti sunkią ar net mirtiną traumą.
DĖMESIO	Nurodo pavojingą situaciją, kuri gali sukelti nesunkią arba vidutinę traumą.

Asmeninės saugos priemonės ir kvalifikacija

Įrengimas, sandėliavimas, techninė priežiūra ir atliekų tvarkymas

Produkto įrengimu, sandėliavimu, technine priežiūra ir atliekų tvarkymu gali užsiimti tik asmenys, kurie:

- turi pakankamai fizinių jėgų įrankio svoriui ir galiai
- žino atitinkamas saugos ir nelaimingų atsitikimų prevencijos taisykles
- yra perskaitę ir suprastę šią instrukciją

Darbas

Dirbti su šiuo produktu gali tik kvalifikuoti operatoriai. Operatoriai yra kvalifikuoti, jei jie:

- turi pakankamai fizinių jėgų įrankio svoriui ir galiai
- yra apmokyti dirbti su produktu pagal nacionalines taisykles
- žino atitinkamas saugos ir nelaimingų atsitikimų prevencijos taisykles
- yra perskaitę ir suprastę šią instrukciją

Asmeninės saugos priemonės

⚠ ĮSPĖJIMAS Įsukimo pavojus

- ▶ Nedirbkite su papuošalais ir laisvais drabužiais
- ▶ Saugokitės, kad įrankis neišsuktų kaklaraiščio, kaklaskarės ir pan.
- ▶ Saugokitės, kad įrankis neišsuktų plaukų.

Asmeninės saugos priemonės turi tenkinti atitinkamas sveikatos apsaugos darbo vietoje ir saugos taisykles.

Visada dirbkite su šiomis asmeninėmis saugos priemonėmis:

- apsauginis šalmas
- klausos apsaugos priemonės
- apsauginiai akiniai, apsaugantys akis ir iš šono
- apsauginės pirštinės
- apsauginiai batai

Narkotikai, alkoholis ir vaistai

Narkotikai, alkoholis ir vaistai gali sumažinti nuovoką ir koncentraciją.

⚠ ĮSPĖJIMAS Dėl lėtos reakcijos ir neadekvataus situacijos vertinimo galima gauti sunkią ar net mirtiną traumą

- ▶ Niekada nedirbkite su produktu, jei esate paveikti narkotikų, alkoholio ar vaistų
- ▶ Saugokite ir kitus žmones, kad jie nedirbtų su produktu, jei yra paveikti narkotikų, alkoholio ar vaistų

Įrengimas, darbas ir techninė priežiūra: saugumo nurodymai

⚠ **ĮSPĖJIMAS Sprogmenys ir sprogios dujos, sproginimo pavojus**

Dėl produkto kontakto su sprogmėmis gali įvykti sproginimas. Sproginimas gali sukelti sunkias ar net mirtinas traumas.

Dirbant su produktu gali lėkti kibirkštys, kurios gali sukelti labai degių dulkių ir dujų sproginimą arba užsideginimą.

- ▶ Niekada nedirbkite su produktu šalia sprogių medžiagų
- ▶ Niekada nedirbkite labai degioje ar sprogioje aplinkoje
- ▶ Įsitikinkite, kad darbo vietoje nėra jokių nežinomų dujų šaltinių

⚠ **ĮSPĖJIMAS Elektros smūgis**

Jei produktas susilietų su elektros grandine ar kitais elektros įtampos šaltiniais, tai gali sukelti sunkią ar net mirtiną traumą.

- ▶ Niekada nedirbkite šalia elektros grandinių ar kitų elektros įtampos šaltinių
- ▶ Įsitikinkite, kad darbo vietoje nėra jokių nežinomų elektros grandinių

⚠ **ĮSPĖJIMAS Dulkių pavojus**

Šlifavimo, pjovimo, gręžimo ir kitų mechaninio apdirbimo darbų metu susidaranti dulkėse, dūmuose ir pan. gali būti medžiagų, kurios sukelia vėžį, apsigimimus ar kitus reprodukcijos pavojus. Keli tokių medžiagų pavyzdžiai:

kristalinis kvarcas, cementas ir kiti mūrijimo produktai

chemiškai apdorotoje gumoje esantis arsenas ir chromas

švinas, esantis švino pagrindu gaminamuose dažuose

- ▶ Kad būtų sumažintas šių cheminių medžiagų poveikis, dirbkite gerai vėdinamoje vietoje ir naudokite sertifikuotas saugos priemones, pvz., specialias mikroskopines daleles filtruojančias kaukes
- ▶ Venkite įkvėpti dulkių tvarkydami darbo proceso šiukšles, nes jos gali būti kenksmingos sveikatai.
- ▶ Dirbami su medžiagomis, kurias apdorojant ore atsiranda dalelių, naudokite vietinio oro ištraukimo įrangą ir dirbkite su kvėpavimo takų apsaugos priemonėmis
- ▶ Šlifavimo metu kylančios dulkės ir dūmai gali sudaryti sprogius mišinius. Visada naudokite apdorojamai medžiagai tinkamas dulkių ištraukimo arba nusodinimo priemones.

⚠ **ĮSPĖJIMAS Greitai lekiančios dalelės**

Šlifavimo, pjovimo, gręžimo ar kitų mechaninio apdirbimo darbų metu kibirkštys, atplaišos, disko nuolaužos ar kitos dalelės gali lėkti dideliu greičiu ir sužeisti operatorių ar kitus žmones.

Net mažos dalelės gali pažeisti akis taip, kad bus prarastas regėjimas.

- ▶ Visada dirbdami, remontuodami, atlikdami priežiūros darbus ar keisdami antgalius, arba jei esate arti tos vietos, kur šie darbai atliekami, būkite užsidėję smūgiams atsparias akių ir veido apsaugos priemones
- ▶ Kitiems žmonėms apsaugoti nuo disko nuolaužų ir kibirkščių naudokite užtvaras
- ▶ Pasirūpinkite, kad visi darbo vietoje esantys žmonės būtų užsidėję smūgiams atsparias akių ir veido apsaugos priemones

⚠ **ĮSPĖJIMAS Triukšmo pavojus**

Dėl stipraus triukšmo gali būti negrįžtamai pažeista klausa.

- ▶ Naudokite klausos apsaugos priemones pagal sveikatos apsaugos darbo vietoje ir darbo saugos taisykles.

⚠ **ĮSPĖJIMAS Vibracijų pavojus**

Dėl vibracijų poveikio gali būti pažeisti nervai ir rankų kraujotaka.

- ▶ Monotoniški darbo judesiai, nepatogi padėtis ir vibracijų poveikis gali būti pavojingi rankoms. Pajutę tirpimą, dilgčiojimą ar skausmą, arba jei pabąla oda, nutraukite darbą su įrankiu ir kreipkitės į gydytoją
- ▶ Negalima naudoti įstatomų įrankių su lenktu kotu
- ▶ Jei įmanoma, naudokite vibracijas slopinančias priemones
- ▶ Minimizuokite vibracijų poveikio laiką

Bendra informacija

Konstrukcija ir veikimas

Šis šlifuoklis skirtas naudoti tik su abrazyvinėmis medžiagomis ir pagrindais. Šis modelis yra tepamas. Įrankis, jo priedai ir reikmenys turi būti naudojami tik pagal paskirtį; bet koks naudojimas kitais tikslais yra draudžiamas.

- Niekada nenaudokite su šlifuokliu šlifavimo arba pjovimo diskų be apsauginio gaubto
- Niekada nenaudokite diskinių pjūklų ar kitokių įrankių nepritaikytų pjoviklių

Ženkla ir lipdukai

Ant įrankio yra ženklų ir lipdukų, kuriuose pateikiama svarbi saugos ir įrankio priežiūros informacija. Ženkla ir lipdukai visada turi būti lengvai įskaitomi. Naujų ženklų ir lipdukų gali užsisakyti naudojantis atsarginių dalių sąrašu.



EB ATITIKTIES DEKLARACIJA

Mes, Atlas Copco Tools AB, S-105 23 STOKHOLMAS, ŠVEDIJA, su visa atsakomybe pareiškiame, kad mūsų gaminys (kurio tipas ir serijos numeris nurodytas viršelyje) su mūsų priedais ir reikmenimis, kuriam skirta ši deklaracija, atitinka taikytiną standartą (-us):

EN 792-8

ir šią (-ias) direktyvą (-as):

2006/42/EC

Stokholmas, 2009 m. gruodžio 29 d

Generalinis direktorius Lennart Remneback

Deklaranto parašas

Įrengimas

Oro kokybė

- Kad būtų užtikrintas optimalus darbas ir maksimalus tarnavimo laikas, rekomenduojame naudoti suspaustą orą, kurio rasos taškas yra tarp +2 °C ir +10 °C. Rekomenduojama įrengti "Atlas Copco" šaldytuvo tipo oro džiovintuvą
- Naudokite atskirą "Atlas Copco" FIL tipo oro filtrą, kuris pašalina didesnes kaip 15 mikronų kietas daleles ir daugiau kaip 90% skysto vandens. Šis filtras turi būti įrengtas kuo arčiau įrankio prieš bet kokį kitą oro paruošimo įrengimą, pvz., REG arba DIM (žr. oro paruošimo įrangą pagrindiniame mūsų kataloge). Prieš prijungdami žarną, ją prapūskite

Tepami modeliai:

- Suspaustame ore turi būti nedidelis kiekis alyvos. Ilgais ciklais dirbantiems įrankiams griežtai rekomenduojame įrengti "Atlas Copco" alyvos aerosolio tepalinę DIM, kuri paprastai turi būti nustatyta 3-4 lašams (50 mm³)/min.), o trumpais ciklais dirbantiems įrankiams – "Atlas Copco" "Dosol" tipo vieno taško tepalinę.

Reikalingi "Dosol" nustatymai aprašyti mūsų pagrindiniame kataloge, oro paruošimo įrangos dalyje.

Suspausto oro prijungimas

⚠ ĮSPĖJIMAS Suspaustas oras gali sukelti sunkias traumas

- ▶ Kai įrankio nenaudojate, prieš bet kokį įrankio reguliavimą, pvz., prieš keičiant diską, arba prieš įrankį remontuojant, visada išjunkite oro tiekimą, sumažinkite žarnoje slėgį ir atjunkite įrankį nuo oro tiekimo.
- ▶ Niekada nenukreipkite oro į save ar kitą žmogų.

⚠ ĮSPĖJIMAS Nuo jungties nusimovusios žarnos gali sukelti sunkias traumas

- ▶ Visada tikrinkite, ar žarnos ir armatūra nepažeisti

Patikrinkite oro slėgį:

- Įrankis skirtas 6–7 bar = 600–700 kPa = 87–102 psi darbiniam slėgiui (e).
- Įrankiui dirbant, oro slėgis jo įvade turi neviršyti maksimalus darbinio slėgio – 7 bar - 700 kPa - 102 psi.
- Prieš prijungdami žarną, ją prapūskite

Darbas

Taip pat žr. *Techninės priežiūros nurodymai*

Pasiruošimas prieš šlifuko naudojimą

Teisingas šlifuko veikimas

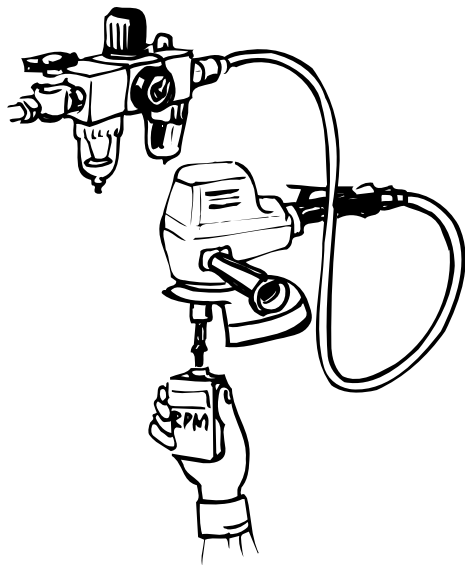
⚠ ĮSPĖJIMAS Dėl per didelių apsakų galima patirti sunkią ar net mirtiną traumą

- ▶ Draudžiama viršyti ant įrankio nurodytas maksimalias leistinas apsakas

Šlifuko tikrinimą gali atlikti tik profesionalūs technikai. Technikai turi būti pagal nacionalines normas įgalioti tikrinti tokio tipo įrankius ir pneumatines sistemas.

- Įrankio laisvosios eigos apsakos turi būti tikrinamos kiekvieną dieną ir po kiekvieno įrankio

remonto. Šis patikrinimas turi būti atliekamas be šlifavimo disko



- Kad išvengtumėte per didelio oro slėgio, dėl kurio apskukos gali būti per didelės, naudokite slėgio reguliatorių
- Jungtys ir oro žarna turi būti geros būklės

Abrazyviniai įrankiai su ašimi

⚠ ĮSPĖJIMAS Suspaustas oras gali sukelti sunkias traumas

- ▶ Kai įrankio nenaudojate, prieš bet kokį įrankio reguliavimą, pvz., prieš keičiant diską, arba prieš įrankį remontuojant, visada išjunkite oro tiekimą, sumažinkite žarnoje slėgį ir atjunkite įrankį nuo oro tiekimo.

⚠ ĮSPĖJIMAS Netinkamos abrazyvinės medžiagos gali suirti ir sukelti sunkią ar net mirtiną traumą

- ▶ Naudokite atramines pagalvėles ir abrazyvines medžiagas, kurių leidžiamos apskukos yra ne mažesnės už šlifuoklio apskukas
- ▶ Nenaudokite kitų nei gamintojo nurodyta atraminių pagalvėlių ir abrazyvinių medžiagų (jokių pjovimo diskų ar frezų). Žr. skyrių *Konstrukcija ir veikimas*.
- Naudokite tik rekomenduojamo dydžio ir tipo abrazyvines medžiagas
- Nenaudokite nuskilusių ar įskilusių diskų, arba diskų, kurie buvo numesti
- Diskas turi būti teisingai pritvirtintas, kad jis nesuskiltų ir nesužeistų
- Naudokite tik padengtus abrazyvinius šlifavimo diskus arba šlifavimo popierius, gerai pritvirtintą prie atraminės pagalvėlės, pateiktos su šlifuokliu. Pasirūpinkite, kad patys prisitvirtinantys šlifavimo diskai būtų gerai sucentruoti.

Teisingas darbas su šlifuokliu

Perskaitykite skyrių *Saugos nurodymai* prieš pradėdami naudoti šlifuoklį.



⚠ ĮSPĖJIMAS Nesilaikant teisingų darbo metodų, galima patirti sunkią ar net mirtiną traumą

- ▶ Naudojant įrankį, kurio konstrukcijoje numatytas apsauginis gaubtas, šis gaubtas turi būti uždėtas, kad apsaugotų nuo pjuvenų, dulkių ir kietų dalelių.
- ▶ Pasirūpinkite, kad apdorojama detalė būtų gerai įtvirtinta
- ▶ Pasirūpinkite, kad kibirkštys nekeltų pavojaus žmonėms ir aplinkinėms medžiagoms
- ▶ Įrankiu apdorojant plastines ir kitas nelaidžias medžiagas, yra elektrostatinis išlydžių pavojus
- ▶ Būtina naudoti asmenines saugos priemones, nurodytas skyriuje *Asmeninės saugos priemonės*
- ▶ Didžiausias sunkių ar net mirtinų traumų pavojus yra susijęs su paslydimu/suklupimu/pargriuvimu. Saugokitės žarnos, esančios ant paviršiaus, ant kurio stovite, ar kurį apdorojate
- ▶ Nepažįstamoje aplinkoje elkitės atsargiai. Gali būti nežinomų pavojų, pvz., elektros ar kitų komunikacijų linijų
- ▶ Išlaikykite kūno pusiausvyrą ir tvirtai stovėkite ant kojų
- ▶ Greitai reaguokite į padidėjusią vibraciją dėl pažeisto arba blogai įtvirtinto disko ar antgalio
- ▶ Saugokitės besisukančios pavaros ašies ir disko arba antgalio. Įrankis dar kelias sekundes sukasi ir po to, kai atleidžiamas droselis. Nepadėkite įrankio, kol jis nenustojo sukstis
- ▶ Atkreipkite dėmesį, kad dėl žarnoje esančio suspausto oro įrankis atsitiktinai gali įsijungti
- ▶ Jei nutrūktų energijos tiekimas, atleiskite valdymo svirtį

Techninė priežiūra

Apsauga nuo rūdijimo ir vidinis valymas

Dėl ore esančio vandens, dulkių ir dilimo metu susidarančių dalelių rūdija ir užstringa mentės, vožtuvai ir t.t.

Kad to būtų išvengta, reikia sutepti įrankį alyva (keli lašai), paleisti jį 5-10 sekundžių ir nuvalyti alyvos perteklių šluoste. **Darykite tai prieš ilgesnius įrankio nenaudojimo laikotarpius.**

Tepimas

Šis įrankis turi kampinę pavara, kuri tepama pusiau skystu tepalu, užtikrinančiu gerą atsparumą dilimui. Kad nepripiltumėte tepalo per daug, dėl ko gali pakilti temperatūra ir būti pažeisti sandarikliai, įrankyje yra tepimo nipelis. Tepalą reikia keisti maždaug po 200 darbo valandų išimant kampinės pavaros ašį.

Geriausiai tinka Urethyn GE00 pusiau skystas tepalas. Reikalingas tepalo kiekis yra maks. 7cm³.

ⓘ Nenaudokite rutulinių guolių tepalo ir važiuoklės tepalo

Tepimo nurodymai

Naudokite kokybiškus tepalus. Lentelėje nurodytos rekomenduojamos alyvos ir tepalai.

Markė	Universalus Guoliai	Oro tepimas
BP	Energrease LS-EP2	Energol E46
Castrol	Spheerol EP L2	
Esso	Beacon EP2	Arox EP46
Q8	Rembrandt EP2	Chopin 46
Mobil	Mobilegrease XHP 222	Almo oil 525
Shell	Alvania EP2	Tonna R32
Texaco	Multifak EP2	Aries 32
Molycote	BR2 Plus	

Kapitalinis remontas

⚠ ĮSPĖJIMAS Dėl per didelių apsukų galima patirti sunkią ar net mirtiną traumą

- ▶ Jei naudojamas apsukų reguliatorius, patikrinkite, ar sumontuotas teisingas apsukų reguliatorius. Dėl neatsargaus naudojimo jis gali sugesti
- ▶ Neardykite apsauginių dalių, pvz., apsukų reguliatoriaus arba nuo per didelių apsukų saugančio mechanizmo. Jei šios dalys sugenda, jos turi būti pakeistos
- ▶ Po įrankio techninės priežiūros darbų visada patikrinkite laisvosios eigos apsukas. Žr. skyrių *Pasiruošimas prieš šlifavimo naudojimą*

Kaip prevencinė priežiūra, tepalas kampinėje pavaroje turi būti keičiamas maždaug po 200 valandų darbo. Žr. nurodymus skyriuje *Tepimas*.

Reguliariai kas šešis mėnesius turi būti tikrinamas visas įrankis. Jei įrankis dirba didelėmis apkrovomis arba pastebimi jo darbo sutrikimai, jį tikrinti reikia dažniau.

Patikrinkite, ar nesudilęs sandarinimo snapelis ir gretima kolonėlė. Sandariklis yra labai svarbus, kad pavaroje išliktų reikiamas kiekis alyvos.

Kad būtų išvengta užsikimšimo ir našumo sumažėjimo, reikia dažnai valyti oro įvado filtrą.

ⓘ Nuvalykite variklio dalis ir sutepkite mentes, vidinį cilindro paviršį ir galines plokšteles plonu sluoksniu oro tepimo alyvos. Surinkite variklį ir patikrinkite, ar jis laisvai sukasi. Per oro įvadą įlašinkite du lašus alyvos ir leiskite varikliui 5-10 sekundžių padirbti laisvąja eiga.

Naudinga informacija

Mūsų interneto svetainėje rasite įvairiausias informacijos apie „Pro“ gaminius, reikmenis, atsargines dalis ir leidinius!

📖 Apsilankykite svetainėje www.pro-powertools.com

Techniniai duomenys

Triukšmo ir vibracijos spinduliuotė

Triukšmas (pagal PN8NTC1.2)	dB(A)
Garso slėgio lygis	75
Garso stiprumo lygis	-
Neapibrėžtumas	Noise spread
	-
	volume

Bendroji vibracijos vertė, galioja nuo 2010 m. (3 ašių vertė, pagal Vibration according new - volume)

Vibracijos vertė	m/s ²
Vibracijos vertė	Vibration value new - volume
Neapibrėžtumas	Vibration spread new - volume

Vibracijos vertė, galioja iki 2009 m. (1 ašies vertė, pagal EN/ISO 8662-8)

Vibracijos vertė	m/s ²
Vibracijos vertė	<2.5

Deklaracija dėl triukšmo ir vibracijos

Nurodytos reikšmės buvo gautos bandant laboratorinėmis sąlygomis pagal nurodytus standartus ir yra tinkamos lyginti su nurodytomis kitų pagal tuos pačius standartus bandytų įrankių reikšmėmis. Nurodytos reikšmės nėra pakankamos rizikai vertinti, o atskirose darbo vietose išmatuotos reikšmės gali būti didesnės. Faktinės eksponavimo reikšmės ir žalos rizika atskiriems vartotojams yra specifiniai dalykai, kurie priklauso nuo vartotojo darbo būdo, darbo įrankio ir darbo vietos bei eksponavimo laiko ir fizinės vartotojo būklės.

Mes, **Atlas Copco Tools AB**, nebūsime atsakingi už deklaruotų reikšmių naudojimo pasekmes, jei šias reikšmes naudosite vietoj faktinį eksponavimą atspindinčių reikšmių, naudojamų atskiros darbo vietos (kuriai mes neturime įtakos) rizikai vertinti.

Jei įrankis naudojamas netinkamai, jis gali sukelti plaštakos ir rankos vibracijos sindromą. Plaštakos ir rankos vibracijos valdymo ES vadovą galite rasti adresu

<http://www.humanvibration.com/EU/VIBGUIDE.htm>

Ankstyviems simptomams, kurie gali būti susiję su vibracijos eksponavimu, nustatyti ir valdymo procedūroms keisti taip, kad išvengtumėte pakenkimo ateityje, mes rekomenduojame sveikatos priežiūros programą.

Drošības instrukcijas

Svarīga drošas lietošanas informācija

Šajās instrukcijās ir pievērsta uzmanība produkta un ievietotā/uzmontētā instrumenta un piederumu uzstādīšanai, darbībai, vadīšanai un tehniskajai apkopei.



- Vitāli svarīgi nodrošināt, lai pirms šī produkta lietošanas operators būtu izlasījis un pilnīgi saprastu instrukcijas
- Saglabājiet instrukcijas vēlākai izmantošanai un pārliecinieties, ka operatoram ir pilnīga piekļuve tām
- Šo instrukciju neievērošana var radīt nopietnus riskus

Mūsu mērķis ir ražot instrumentus, kas palīdz strādāt droši un efektīvi.

Šai ziņā vissvarīgākā drošības ierīce šim un jebkuram citam instrumentam esat JŪS.

Jūsu piesardzība un spriestspēja ir vislabākā aizsardzība pret miesas bojājumiem.

Elektriskās piedziņas instrumentu nedrīkst pārveidot produkta drošības apsvērumu dēļ. Šo instrumentu drīkst uzstādīt, noregulēt un lietot tikai kvalificēti un apmācīti operatori.

Šeit nav iespējams aptvert visas iespējamās bīstamības, tomēr akcentēsim dažas vissvarīgākās. Papildu drošības informāciju sk.:

- Citi dokumenti un informācija, kas ietilpst šī instrumenta komplektācijā
- Jūsu darba devējs, apvienība un/vai arodbiedrība
- Atbilstīgi standarti saskaņā ar punktu *EK paziņojums par atbilstību prasībām*

Vairāk informācijas par arodveselību un drošību var iegūt šādās tīmekļa vietnēs:

<http://www.osha.gov> (USA)

<http://europe.osha.eu.int> (Europe)

Drošības signālvārdi

Drošības signālvārdiem "Bīstami", "Brīdinājums" un "Uzmanību" ir šāda nozīme:

BĪSTAMI	Norāda bīstamu situāciju, kas, ja no tās neizvairās, izraisa nāvi vai smagu traumu.
BRĪDINĀJUMS	Norāda bīstamu situāciju, kas, ja no tās neizvairās, varētu izraisīt nāvi vai smagu traumu.
UZMANĪBU	Norāda bīstamu situāciju, kas, ja no tās neizvairās, varētu izraisīt vieglu vai vidēji smagu traumu.

Individuālie piesardzības pasākumi un kvalifikācijas

Uzstādīšana, uzglabāšana, tehniskā apkope un likvidēšana

Produkta uzstādīšanu, uzglabāšanu, tehnisko apkopi un likvidēšanu drīkst veikt tikai tādas personas, kas:

- fiziski spēj rīkoties ar instrumenta apjomu, svaru un jaudu
- saprot visas attiecīgās valstī spēkā esošās drošības instrukcijas un nelaimes gadījumu novēršanas noteikumus
- ir izlasījušas un sapratušas ekspluatācijas instrukcijas

Darbība

Ar produktu drīkst strādāt tikai kvalificēti operatori. Operatori ir kvalificēti, ja viņi:

- fiziski spēj rīkoties ar instrumenta apjomu, svaru un jaudu
- ir apmācīti strādāt ar produktu atbilstīgi valsts reglamentējošiem standartiem
- saprot visas attiecīgās valstī spēkā esošās drošības instrukcijas un nelaimes gadījumu novēršanas noteikumus
- ir izlasījuši un sapratuši ekspluatācijas instrukcijas

Individuālais aizsargaprīkojums

⚠ BRĪDINĀJUMS Aizķeršanās bīstamība

- ▶ Nevalkāt juvelierizstrādājumus un brīvu apģērbu
- ▶ Kaklasaitēm jāatrodas pietiekamā attālumā no instrumenta un piederumiem, lai novērstu sažņaugšanu
- ▶ Matiem jāatrodas pietiekamā attālumā no instrumenta un piederumiem, lai novērstu skalpēšanu

Individuālajam aizsargaprīkojumam jāatbilst spēkā esošajiem veselības aizsardzības un drošības noteikumiem.

Vienmēr jālieto šādi individuālie aizsarglīdzekļi:

- Aizsargķivere
- Dzirdes orgānu aizsargierīces
- Aizsargbrilles ar sānu aizsardzību
- Aizsargcimdi
- Aizsargapavi

Narkotikas, alkohols un ārstniecības līdzekļi

Narkotikas, alkohols un ārstniecības līdzekļi var pasliktināt spriestspēju un koncentrēšanās spēju.

⚠ **BRĪDINĀJUMS** Vāja reakcija un nepareizi novērtējumi var izraisīt nopietnus nelaimes gadījumus vai nāvi

- ▶ Nekad nestrādājiet ar produktu, atrodoties narkotisko vielu, alkohola vai zāļu iedarbības ietekmē
- ▶ Neļaujiet citiem cilvēkiem lietot produktu, ja viņi atrodas narkotisko vielu, alkohola vai zāļu iedarbības ietekmē

Uzstādīšana, ekspluatācija un tehniskā apkope: piesardzības pasākumi

⚠ **BRĪDINĀJUMS** Viegli uzliesmojošas vielas un eksplozīvas gāzes, sprādzienbīstamība

Ja produkts saskaras ar viegli uzliesmojošām vielām, var notikt sprādziens. Eksplozijas var izraisīt smagus miesas bojājumus vai nāvi.

Produkta ekspluatācijas laikā var lidot dzirksteles, kas var detonēt viegli uzliesmojošus putekļus un gāzes un izraisīt aizdegšanos vai sprādzienus.

- ▶ Ar produktu nedrīkst strādāt viegli uzliesmojošu vielu tuvumā
- ▶ Aizliegts strādāt viegli uzliesmojošā vai sprādzienbīstamā vidē
- ▶ Pārlicinieties, vai darba zonā nav slēptu gāzes avotu

⚠ **BRĪDINĀJUMS** Elektriskais trieciens

Ja produkts nonāk saskarē ar elektrisko ķēdi vai citiem elektroenerģijas avotiem, rodas smagu miesas bojājumu vai nāves risks.

- ▶ Aizliegts strādāt elektriskās ķēdes vai citu elektroenerģijas avotu tuvumā
- ▶ Pārlicinieties, vai darba zonā neatrodas slēptas elektriskās ķēdes

⚠ **BRĪDINĀJUMS** Putekļu iedarbības bīstamība

Daži putekļi, dūmi vai citi materiāli, kas radušies, slīpējot ar smilšstrūklas aparātu, zāģējot, slīpējot, urbjot un veicot citas būvdarbu operācijas, satur ķīmiskās vielas, kuras saskaņā ar Kalifornijas štata datiem, izraisa vēzi un dzemdību patoloģijas vai citādi negatīvi ietekmē reproduktīvo sistēmu. Dažas šādas ķīmiskās vielas ir:

Kristāliskais silīcijs un cements un citi mūra produkti.

Arsēns un hroms no ķīmiski apstrādātas gumijas.
Svins no grafitā krāsām.

- ▶ Lai ierobežotu šo ķīmisko vielu iedarbību, jāstrādā labi vēdināmā vietā, lietojot apstiprinātu aizsargaprīkojumu, piemēram, putekļu maskas, kas ir īpaši veidotas mikroskopisku daļiņu aizturēšanai

- ▶ Izvairieties ieelpot putekļus vai rīkoties ar darba procesa atkritumiem, kas var kaitēt jūsu veselībai
- ▶ Lietojiet putekļu atsūkšanu, piem., vietējo nosūces ierīci, un lietojiet elpošanas orgānu aizsargaprīkojumu, strādājot ar materiāliem, kas rada daļiņas gaisā
- ▶ Potenciāli sprādzienbīstamas atmosfēras var radīt slīpēšanas rezultātā izveidojušies putekļi un dūmi. Vienmēr jāizmanto apstrādājamam materiālam piemērotas putekļu atsūkšanas vai slāpēšanas sistēmas

⚠ **BRĪDINĀJUMS** Lidojošas daļiņas

Dzirksteles, skaidas, ripu fragmenti vai citas daļiņas, kas ir radušās, veicot slīpēšanu ar smilšstrūklas aparātu, zāģēšanu, slīpēšanu, urbjot un citas būvdarbu operācijas, var pārvērsties par lidojošām daļiņām un nodarīt miesas bojājumus operatoram vai citām personām.

Pat nelielas lidojošas daļiņas var traumēt acis un izraisīt aklumu.

- ▶ Vienmēr jālieto triecienizturīgs acu un sejas aizsargs, atrodoties vai strādājot netālu no instrumenta ekspluatācijas, remonta vai tehniskās apkopes vai piederumu maiņas vietas
- ▶ Jālieto barjeras, lai citus pasargātu no ripu fragmentiem un slīpēšanas dzirkstelēm
- ▶ Pārbaudiet, vai visi citi šajā zonā lieto triecienizturīgu acu un sejas aizsargu

⚠ **BRĪDINĀJUMS** Trokšņa radīta bīstamība

Augsti skaņas līmeņi var izraisīt neatgriezenisku dzirdes zudumu.

- ▶ Jālieto dzirdes orgānu aizsargierīces saskaņā ar arodveselības un drošības noteikumiem

⚠ **BRĪDINĀJUMS** Vibrāciju bīstamība

Vibrāciju iedarbība var bojāt nervus un bloķēt asiņu pieplūdi rokām un pleciem.

- ▶ Atkārtotas vienveidīgas darba kustības, neērtas pozas un vibrāciju iedarbība var būt bīstama rokām un pleciem. Ja rodas nejūtīgums, dzīkstēšana ausīs, sāpes vai āda kļūst bāla, pārtrauciet instrumenta lietošanu un griezieties pie ārsta
- ▶ Ieliekamos instrumentus ar saliektu kātu nedrīkst lietot
- ▶ Ja ir pieejami, jāizmanto instrumenti ar vibrāciju slāpētājiem
- ▶ Jāsamazina vibrāciju iedarbības laiks

Vispārēja informācija

Konstrukcija un funkcija

Šis smilšstrūklas aparāts ir paredzēts tikai abrazīviem produktiem un atbalstaprīkojumam. Šis modelis ir ieeļļots. Mašīna, tās pierīces un piederumi jālieto tikai saskaņā ar to paredzēto uzdevumu, citāda izmantošana ir aizliegta.

- Nekad nelietojiet ar smilšstrūklas aparātu slīpēšanas vai atgriežamās ripas bez ripas aizsarga
- Nepiestipriniet ripzāga asmeņus vai citus griežņus, kas nav paredzēti instrumentam

Zīmes un uzlīmes

Mašīnai ir zīmes un uzlīmes, kas satur svarīgu informāciju par personisko drošību un mašīnas apkopi. Zīmēm un uzlīmēm vienmēr jābūt viegli salasāmām. Jaunas zīmes un uzlīmes var pasūtīt, izmantojot rezerves daļu sarakstu.



EK PAZIŅOJUMS PAR ATBILSTĪBU PRASĪBĀM

«Atlas Copco Tools AB», S-105 23 STOCKHOLM SWEDEN, ar pilnu atbildību dara zināmu, ka uzņēmumā ražotais produkts (ar tipa un sērijas numuru, sk. pirmajā lappusē) kopā ar oriģinālajiem piederumiem, uz kuriem attiecas šis paziņojums, atbilst šādiem standartiem:

EN 792-8

un ir saskaņā ar šādām direktīvām:

EN 792-8

Stokholmā, 2009. gada 29. decembra.

Lennarts Remnebens, ģenerāldirektors

Paraksts

Uzstādīšana

Gaisa kvalitāte

- Produkta optimāla ražīguma un maksimāla darbmūža nodrošināšanai ieteicams izmantot saspiesto gaisu, kura rasas punkta temperatūra ir no +2 °C līdz +10 °C. Ieteicams uzstādīt «Atlas Copco» dzesēšanas tipa gaisa žāvētāju
- Atsevišķa «Atlas Copco» FIL tipa gaisa filtra lietošana novērš daļiņas, kas ir lielākas par 15

mikroniem, un vairāk nekā 90% šķidra ūdens, ja tas ir uzstādīts pēc iespējas tuvāk produktam un pirms jebkuras citas gaisa sagatavošanas iekārtas, piemēram, REG vai DIM (sk. Gaisvadu līnijas piederumi mūsu produkcijas katalogā). Pirms pievienošanas caurpūtiet šļūteni

Ieeļļoti modeļi:

- Saspieštajam gaisam jā satur neliels daudzums eļļas. Ļoti ieteicams uzstādīt «Atlas Copco» eļļas miglas eļļotāju DIM, parasti noregulējot uz 3-4 pilieniem (50 mm³)/min garam darba ciklam lietojamiem instrumentiem vai «Atlas Copco» DOSOL tipa vienpunkta eļļotāju īsam darba ciklam lietojamiem instrumentiem.

Informāciju par DOSOL iestatīšanu sk. Gaisvadu līnijas piederumi mūsu produkcijas katalogā.

Saspiešā gaisa savienojums

⚠ BRĪDINĀJUMS Saspiešs gaiss var radīt smagus miesas bojājumus

- ▶ Vienmēr jāizslēdz gaisa pievade, gaisa spiediena noplūdes šļūtene un instruments jāatvieno no gaisa pievades, ja to nelieto, pirms tiek veikti kādi produkta noregulējumi, piem., piederumu maiņa, vai tiek izpildīti remontdarbi
- ▶ Nekad nevirziet gaisu savā vai kāda cita cilvēka virzienā

⚠ BRĪDINĀJUMS Izliekušās šļūtenes var radīt smagus miesas bojājumus

- ▶ Vienmēr jāpārbauda, vai šļūtenes un savienotājelementi nav bojāti vai vaiļīgi

Jāpārbauda gaisa spiediens:

- Produkts ir paredzēts darba spiedienam (e) 6–7 bāri = 600–700 kPa = 87–102 psig
- Gaisa spiediens pie instrumenta ievada ar strādājošu produktu nedrīkst pārsniegt maksimālo darba spiedienu : 7 bāri – 700 kPa – 102 psig
- Pirms pievienošanas caurpūtiet šļūteni

Darbība

Sk. arī *Servisa instrukcijas*

Smilšstrūklas aparāta lietošanas priekšdarbi

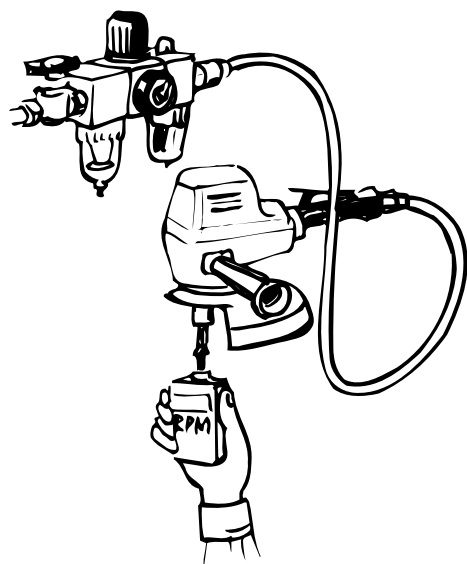
Pareiza smilšstrūklas aparāta funkcija

⚠ BRĪDINĀJUMS Pieļautā ātruma pārsniegšanas rezultāts var būt smagi miesas bojājumi vai nāve

- ▶ Nedrīkst pārsniegt uz mašīnas norādīto maksimālo pieļaujamo ātrumu

Smilšstrūklas aparāta pārbaudi drīkst veikt tikai kvalificēti tehniķi. Tehniķiem jābūt pilnvarotiem šī tipa instrumenta pārbaudei un pneimatiskās sistēmas ekspluatācijai saskaņā ar valsts reglamentējošiem standartiem.

- Katru dienu, kā arī pēc tehniskās apkopes izpildes jāpārbauda mašīnas brīvgaitas ātrums. Šīs pārbaudes laikā slīpēšanas aprīkojumam jābūt noņemtam.



- Lietojiet spiediena regulatoru, lai novērstu pārliecīgu gaisa spiedienu, kas varētu izraisīt virsātrumu
- Savienojumiem un gaisa šļūtenei jābūt labā stāvoklī

Uzstādīts abrazīvs aprīkojums

⚠ BRĪDINĀJUMS Saspiests gaiss var radīt smagus miesas bojājumus

- ▶ Vienmēr jāizslēdz gaisa pievade, gaisa spiediena noplūdes šļūtene un instruments jāatvieno no gaisa pievades, ja to nelieto, pirms tiek veikti produkta noregulējumi, piem., piederumu maiņa, vai tiek izpildīti remontdarbi

⚠ BRĪDINĀJUMS Nepareizs abrazīvais aprīkojums var atdalīties un izraisīt smagus miesas bojājumus vai nāvi

- ▶ Lietojiet atbalstpaliktņi vai abrazīvu ar pieļaujamo ātrumu, kas ir lielāks par pneimatiskā smilšstrūklas aparāta ātrumu vai vienāds ar to
- ▶ Lietojiet tikai ražotāja norādīto atbalstpaliktņi vai abrazīvu (nevis atgrīzamas ripas vai frēzmašīnas asmeņus). Sk. punktā *Konstrukcija un funkcija*.
- Lietojiet tikai ieteiktos abrazīvu izmērus un tipus
- Aizliegts uzstādīt ripas, kurām ir izlūzuši gabali vai kuras ir ieplaisājušas vai ir bijušas nokritušas

- Pareiza montāža ir nepieciešama, lai novērstu salūzušu uzstādīto ripu izraisītus miesas bojājumus
- Lietojiet vienīgi pārklātas abrazīvās ripas vai loksnes, kas ir pienācīgi piestiprinātas pie pneimatiskajam smilšstrūklas aparātam paredzētā atbalstpaliktņa. Jānodrošina, ka pašfiksējošās slīpēšanas ripas tiek uzstādītas tā, lai sakristu asis

Pareizs darbs ar smilšstrūklas aparātu

Izlasiet punktu *Drošības instrukcijas* pirms smilšstrūklas aparāta lietošanas.



⚠ BRĪDINĀJUMS Pareizas darba prakses neievērošanas rezultāts var būt smagi miesas bojājumi vai nāve

- ▶ Lietojot instrumentu, kuru paredzēts izmantot ar aizsargu, tas jāuzstāda, lai nodrošinātu aizsardzību pret slīpēšanas skaidām un citiem atkritumiem
- ▶ Jānodrošina, lai apstrādājamā detaļa tiktu pienācīgi atbalstīta
- ▶ Jānodrošina, lai dzirksteles neapdraudētu cilvēkus un materiālus
- ▶ Lietojot instrumentu uz plastmasas un citiem dielektriskiem materiāliem, pastāv elektrostatiskās izlādes risks
- ▶ Jālieto individuālais aizsargaprīkojums saskaņā ar aprakstu, kas ir dots punktā *Individuālais aizsargaprīkojums*
- ▶ Slīdēšana/atdalīšanās/krišana ir galvenie iemesli, kas izraisa smagus miesas bojājumus vai nāvi. Jāievēro piesardzība, ja uz staigāšanas vai darba virsmas ir palikusi šļūtene
- ▶ Nepazīstamās vidēs jāievēro piesardzība. Var būt slēptas bīstamības, piemēram, elektrības vai citas komunikācijas līnijas
- ▶ Jāsaglabā līdzsvarota ķermeņa pozīcija un stingrs kāju stāvoklis
- ▶ Ātri reaģējiet uz pārliecīgu vibrāciju, ko izraisa bojāts vai nepareizi uzstādīts ieliekamais instruments
- ▶ Turieties pietiekamā attālumā no rotējošas darbvārpstas un abrazīviem. Rotācija var turpināties vairākas sekundes pēc droseles

atlaišanas. Instrumentu nedrīkst likt zemē, kamēr rotācijas nav beigusies

- ▶ Nēmiēt vērā, ka šļūtenē esošais saspiestais gaiss var izraisīt nejaušu iedarbināšanu
- ▶ Atvienojiet vadības ierīci, ja energoapgādei jābeidzas

Tehniskā apkope

Korozijaizsardzība un iekšējā tīrīšana

Saspiestajā gaisā esošais ūdens, putekļi un nodiluma daļiņas rada rūsu un lāpstiņu, vārstu u.c. elementu salipšanu.

To var atrisināt, uzklājot eļļu (daži pilieni), iedarbinot mašīnu uz 5-10 sekundēm un noslaukot lieko eļļu ar lupatu. **Izdariet šo procedūru pirms garākām dīkstāvēm.**

Eļļošana

Mašīna ir aprīkota ar leņķa pārvadu, kas ir ieeļļots ar pusšķidru konsistentu ziedi, lai nodrošinātu labu nodilumizturību. Lai novērstu pārpildīšanu, kas varētu izraisīt temperatūras paaugstināšanos un bojāt blīvījumus, nav eļļošanas uzgaļa. Tā vietā ziede jānomaina pēc apmēram 200 darba stundām, noņemot leņķa pārvada vārpstu.

Lai garantētu precīzas eļļošanas īpašības – lietojiet pusšķidra tipa konsistentu ziedi «Urethyn GE00». Nepieciešamais ziedes daudzums ir maks. 7 cm³.

ⓘ Nelietojiet lodīšu gultņu ziedi vai šasijas ziedi.

Eļļošanas norādījumi

Lietojiet augstas kvalitātes eļļošanas līdzekļus. Tabulā norādītās eļļas un ziedes ir ieteikto eļļošanas līdzekļu piemēri.

Marka	Universāla lietojuma Gultņi	Pneimatiskā eļļošana
BP	Energrease LS-EP2	Energol E46
Castrol	Spheerol EP L2	
Esso	Beacon EP2	Arox EP46
Q8	Rembrandt EP2	Chopin 46
Mobil	Mobilegrease XHP 222	Almo oil 525
Shell	Alvania EP2	Tonna R32
Texaco	Multifak EP2	Aries 32
Molycote	BR2 Plus	

Remonts

⚠ BRĪDINĀJUMS Pieļautā ātruma pārsniegšanas rezultāts varētu būt smagi miesas bojājumi vai nāve

- ▶ Ātruma regulatora lietošanas gadījumā jāpārbauda, vai ir uzstādīts pareizais ātruma regulators.

Paviršas rīkošanās rezultātā tas var iziet no ierindas

- ▶ Nedrīkst noņemt drošības detaļas, piem., ātruma regulatoru vai virsātruma izslēgšanas ierīci. Šīs detaļas pilnībā jānomaina, ja tās ir bojātas
- ▶ Pēc tehniskās apkopes vienmēr jāpārbauda mašīnas brīvsgaitas ātrums. Sk. punktā *Smilšstrūklas aparāta lietošanas priekšdarbi*

Profilaktiskai apkopei leņķa pārvada ziede jānomaina pēc apmēram 200 darba stundām. Sk. norādījumus punktā *Eļļošana*.

Visa mašīna regulāri jāpārbauda pēc sešu mēnešu intervāla. Ja to intensīvi lieto vai tā darbojas nepareizi, tā biežāk jāizņem no ekspluatācijas pārbaudes veikšanai.

Jāpārbauda, vai nav nolietojusies blīvējošā mala un līdzās esošais balsts. Blīvējumam ir svarīga nozīme eļļošanas līdzekļa saglabāšanai pārnesumkārbā.

Filtrs pie gaisa ievada bieži jāattīra, lai novērstu nosprostošanos, kas samazina caurlaides spēju.

- ⓘ Attīriet motora daļas un plānā kārtā uzklājiet pneimatiskās eļļošanas eļļu uz lāpstiņām un cilindra iekšējās virsmas un gala atbalsta paplāksnēm. Samontējiet motoru un pārbaudiet, vai tas brīvi strādā. Iepilniet divus eļļas pilienus gaisa ievadā un 5-10 sekundes darbiniet motoru tukšgaitas režīmā.**

Noderīga informācija

Te varēsiet atrast visu informāciju par «Pro» produktiem, piederumiem, rezerves daļām, kā arī mūsu tīmekļa vietnē publicētajiem jautājumiem!

📖 Reģistrējieties vietnē www.pro-powertools.com

Tehniskie dati

Trokšņa un vibrācijas emisija

Troksnis (saskaņā ar PN8NTC1.2)	dB(A)
Skaņas spiediena līmenis	75
Skaņas intensitātes līmenis	-
Kļūdas vērtība	Noise spread
	-
	volume

Vibrāciju kopējā vērtība, spēkā no 2010. gada (3 dimensiju vērtība saskaņā ar Vibration according new - volume)		m/s ²
Vibrāciju vērtība		Vibration value new - volume
Kļūdas vērtība		Vibration spread new - volume

Vibrāciju vērtība, spēkā līdz 2009. gadam (1 dimensijas vērtība saskaņā ar EN/ISO 8662-8)		m/s ²
Vibrāciju vērtība		<2.5

Pārskats par trokšņa un vibrācijas deklarāciju

Šīs deklarētās vērtības tika iegūtas, testējot laboratorijas apstākļos atbilstoši norādītajiem standartiem, un ir piemērotas salīdzināšanai ar citu rīku deklarētajām vērtībām, kas testētas atbilstoši šiem pašiem standartiem. Šīs deklarētās vērtības nav piemērotas izmantošanai riska novērtējumos, un atsevišķās darbavietās veikto mērījumu rezultāti var būt lielāki. Faktiskās iedarbības vērtības un kaitējuma risks atsevišķam lietotājam ir unikāls un atkarīgs no lietotāja darba paņēmieniem, veicamā darba un darbstacijas uzbūves, kā arī no iedarbības laika un lietotāja fiziskā stāvokļa.

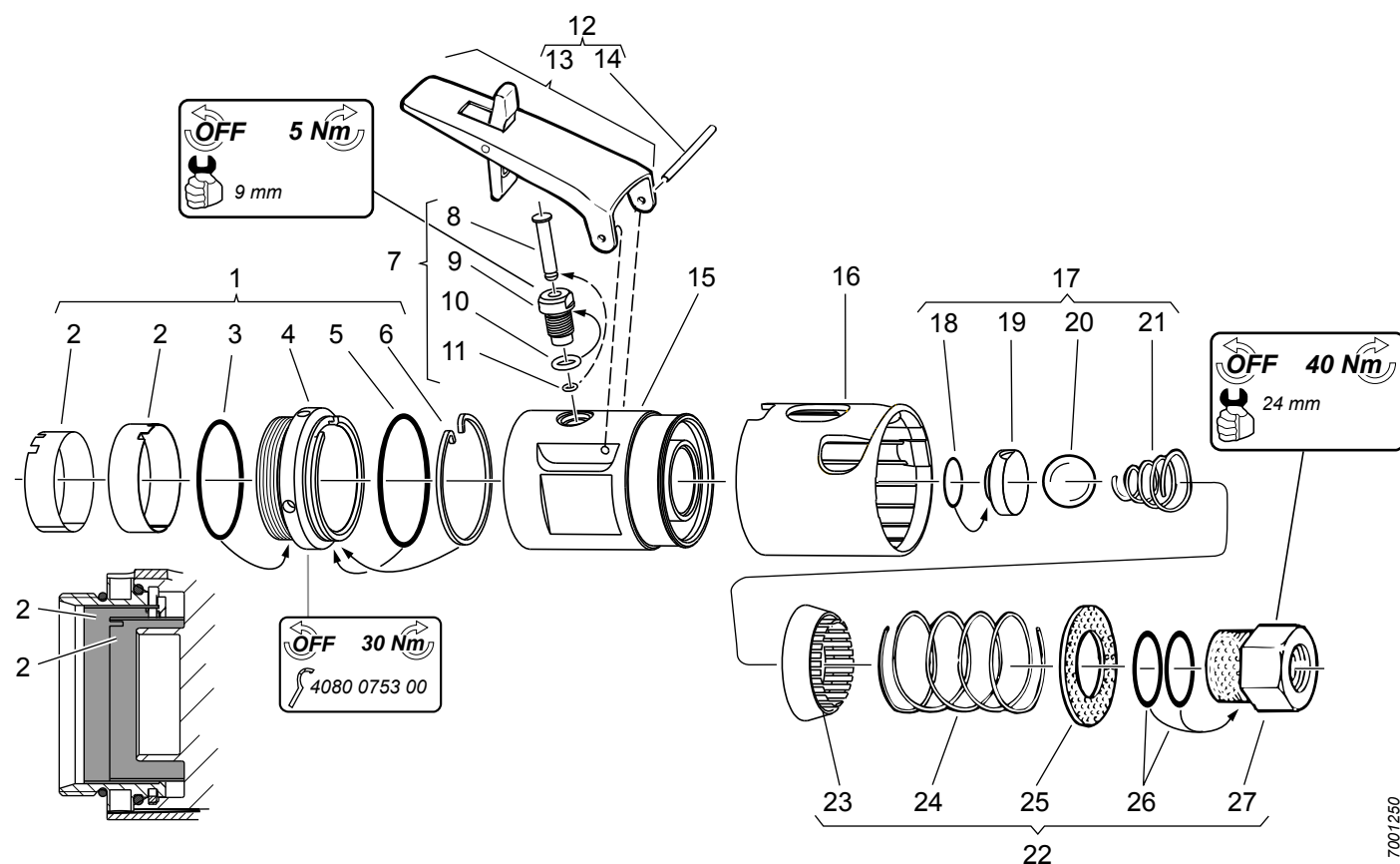
Mēs, **Atlas Copco Tools AB**, neuzņemamies atbildību par deklarēto vērtību (nevis faktiskajai iedarbībai atbilstošo vērtību) izmantošanas sekām individuālā riska novērtēšanai darbavietā, kuras apstākļus nevaram kontrolēt.

Šis rīks var izraisīt plaukstu-roku vibrācijas sindromu, ja tas netiek lietots pareizi. ES norādījumi par plaukstu-roku vibrāciju pieejami vietnē <http://www.humanvibration.com/EU/VIBGUIDE.htm>

Iesakām izmantot veselības novērošanas programmu, lai atklātu agrīnus simptomus, kas varētu būt saistīti ar vibrācijas iedarbību, vai varētu mainīt atbilstošo darba organizāciju, nepieļaujot turpmāku stāvokļa pasliktināšanos.

Exploded views/tables

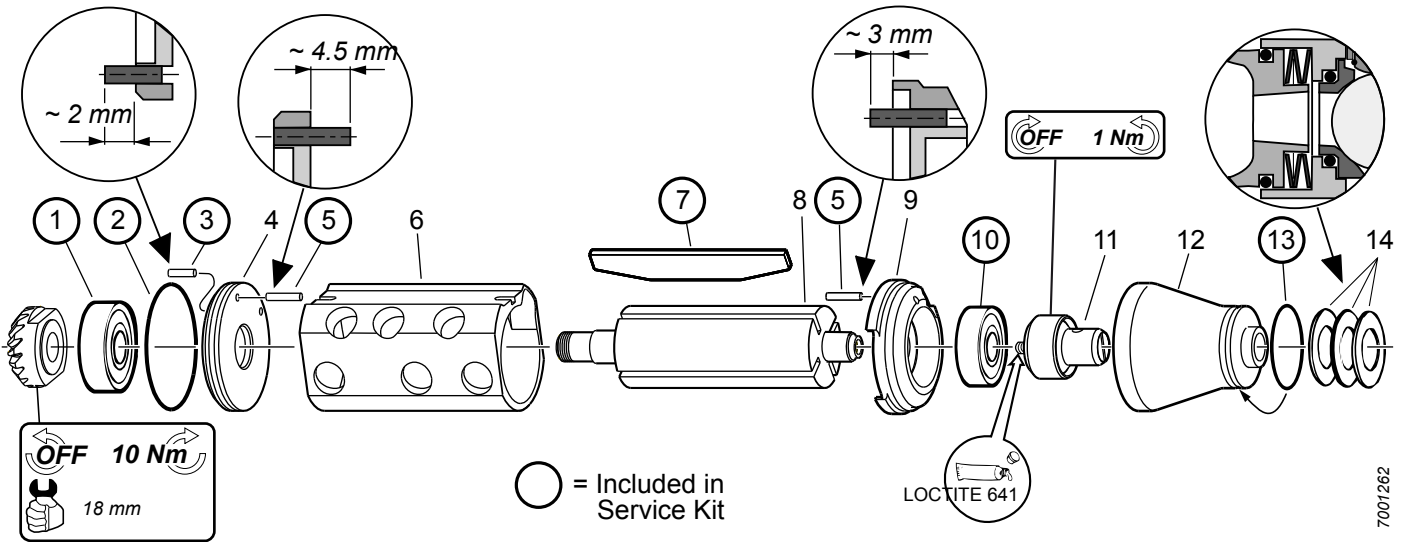
Back head



Ref. No.	Ordering No.	Qty	Description	Remark / Included in Service kit
1(2-6)	4150 1642 90	1	Swivel, compl.	
2	-	2	Locking ring	
3	-	1	O-ring	35.1x1.6
4	-	1	Ring	
5	-	1	O-ring	37.82x1.78
6	-	1	Circlip	
7(8-11)	4150 1656 80	1	Bushing, compl.	
8	-	1	Pin	6x22.3
9	-	1	Bushing	
10	-	1	O-ring	2.6x1
11	-	1	O-ring	6x1
12(13-14)	4150 1594 93	1	Lever kit	
13	-	1	Lever, compl.	
14	-	1	Pin	2.5x30
15	-	1	Back head	
16	4150 2084 00	1	Jacket	
17(18-21)	4150 1657 90	1	Valve seat kit	
18	-	1	O-ring	12.1x1.6
19	-	1	Valve seat	
20	-	1	Ball	16 mm Stainless
21	-	1	Spring	
22(23-27)	4150 1648 90	1	Exhaust kit	
23	-	1	Valve	
24	-	1	Spring	
25	-	1	Silencer	
26	-	2	O-ring	18.1x1.6
27	-	1	Adapter, compl.	BSP 3/8", G 3/8"
	4080 0753 00	1	Hook wrench	D. 35-60 mm

7001250

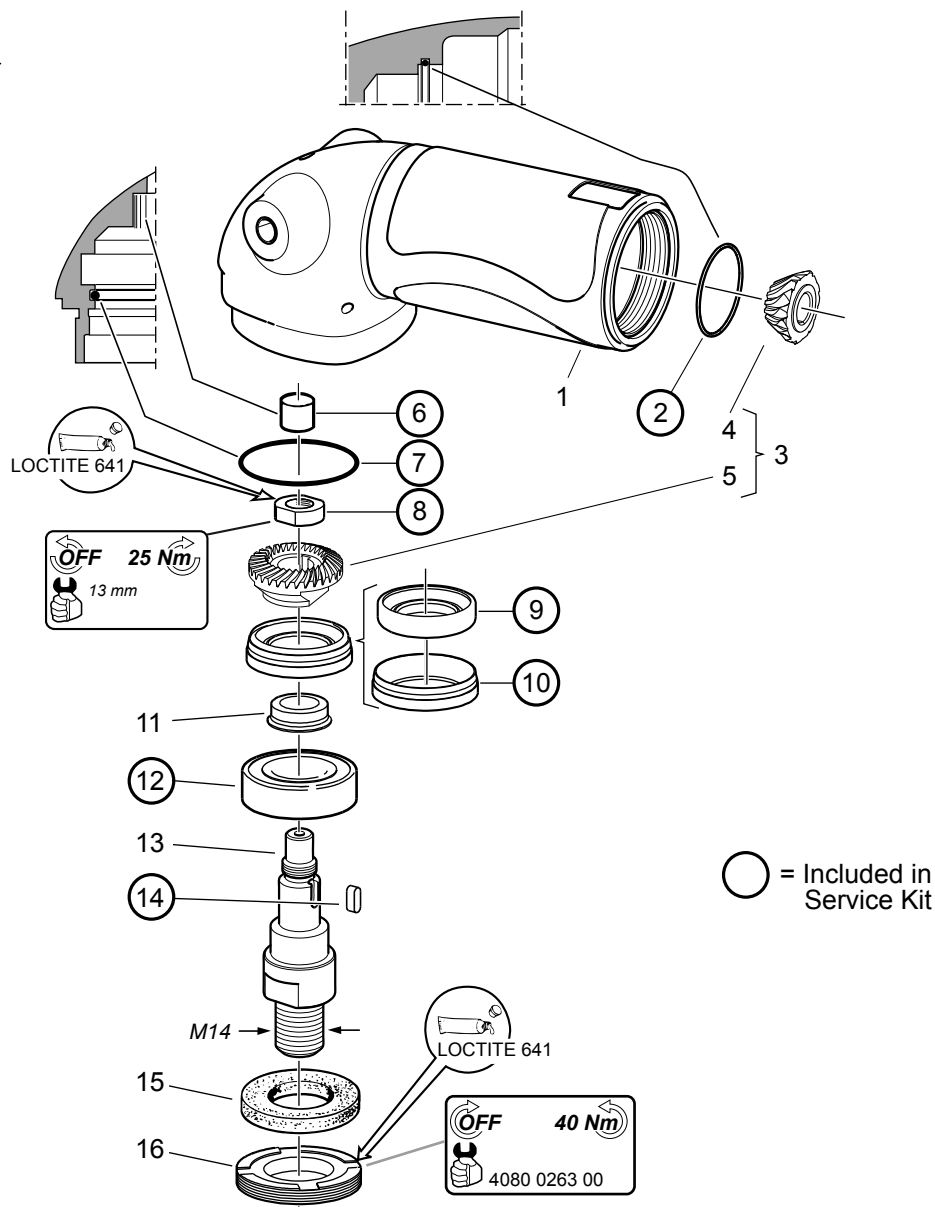
Governor and motor unit



Ref. No.	Ordering No.	Qty	Description	Remark / Included in Service kit
1	-	1	Ball bearing	629-2RSH/C3 / Motor unit kit 4081 0432 90
2	-	1	O-ring	32.1x1.6 / Motor unit kit 4081 0432 90
3	-	1	Pin	CP 2h6x6 / Motor unit kit 4081 0432 90
4	4150 1637 00	1	End plate	
5	-	2	Pin	CP 2h6x8 / Motor unit kit 4081 0432 90
6	4150 2083 00	1	Cylinder	
7	-	4	Vane	Motor unit kit 4081 0432 90
8	4150 1640 00	1	Rotor	
9	4150 1638 00	1	End plate	
10	-	1	Ball bearing	608-2RSL / Motor unit kit 4081 0432 90
11	4150 1237 82	1	Governor, compl.	15000 r/min: 15k. WARNING! Critical part. Check that correct governor is assembled
12	4150 1641 00	1	Governor cup	
13	-	1	O-ring	19.1x1.6 / Motor unit kit 4081 0432 90
14	0384 3000 36	3	Cup spring	

7001262

Motor casing with angle gear



○ = Included in Service Kit

Ref. No.	Ordering No.	Qty	Description	Remark / Included in Service kit
1	-	1	Motor casing	
2	-	1	O-ring	26x1.2 / Seal kit 4150 1659 91
3(4-5)	4150 1422 91	1	Gear wheel set	
4	-	1	Gear wheel	Z=15
5	-	1	Gear wheel	Z=31
6	-	1	Needle bearing	BK 0810 / Seal kit 4150 1659 91
7	-	1	O-ring	32.1x1.6 / Seal kit 4150 1659 91
8	-	1	Nut	Seal kit 4150 1659 91
9	-	1	Seal ring	Seal kit 4150 1659 91
10	-	1	Seal holder	Seal kit 4150 1659 91
11	4150 1632 00	1	Column	
12	-	1	Ball bearing	6003 RS 1 / Seal kit 4150 1659 91
13	4150 1634 00	1	Axle	M14
14	-	1	Key	3x3x8 / Seal kit 4150 1659 91
15	-	1	Filter	Seal kit 4150 1659 91
16	4150 1635 00	1	Screw ring	
	4150 1755 90	1	Filter set	5 pcs
	4080 0263 00	1	Face spanner	Adjustable D. 3 mm

7001273

Signs and stickers

Stickers



Ref. No.	Ordering No.	Qty	Description	Remark / Included in Service kit
1	4150 1984 00	1	Sticker	Text on the sticker: To reduce risk of injury read and understand safety instructions supplied with tool
1	4150 1985 00	1	Sticker	Text on the sticker: To avoid injury use recommended guard RPM rating on wheel must exceed grinder RPM rating
1	4150 1986 00	1	Sticker	Text on the sticker: Do not remove guard
1	4150 1988 00	1	Sticker	Text on the sticker: For internal grinding only RPM rating on wheel must exceed grinder RPM rating

Service Kits

Motor unit Kit

Ordering No. 4081 0432 90

Ordering No.	Qty	Description	Remark / Included in Service kit
-	1	Ball bearing	629-2RS1/C3
-	1	O-ring	32.1x1.6
-	1	Pin	2H6x6
-	2	Pin	2H6x8
-	4	Vane	
-	1	Ball bearing	608-2RSL
-	1	O-ring	19.1x1.6

Kit for a variety of products. Some parts might remain unused.

Seal Kit

Ordering No. 4150 1659 91

Ordering No.	Qty	Description	Remark / Included in Service kit
-	1	O-ring	26x1.2
-	1	Needle bearing	BK 0810
-	1	O-ring	32.1x1.6
-	1	Nut	
-	1	Radial lip seal	
-	1	Seal holder	
-	1	Ball bearing	6003 RS 1
-	1	Key	3X3X8
-	1	Filter	

Kit for a variety of products. Some parts might remain unused.

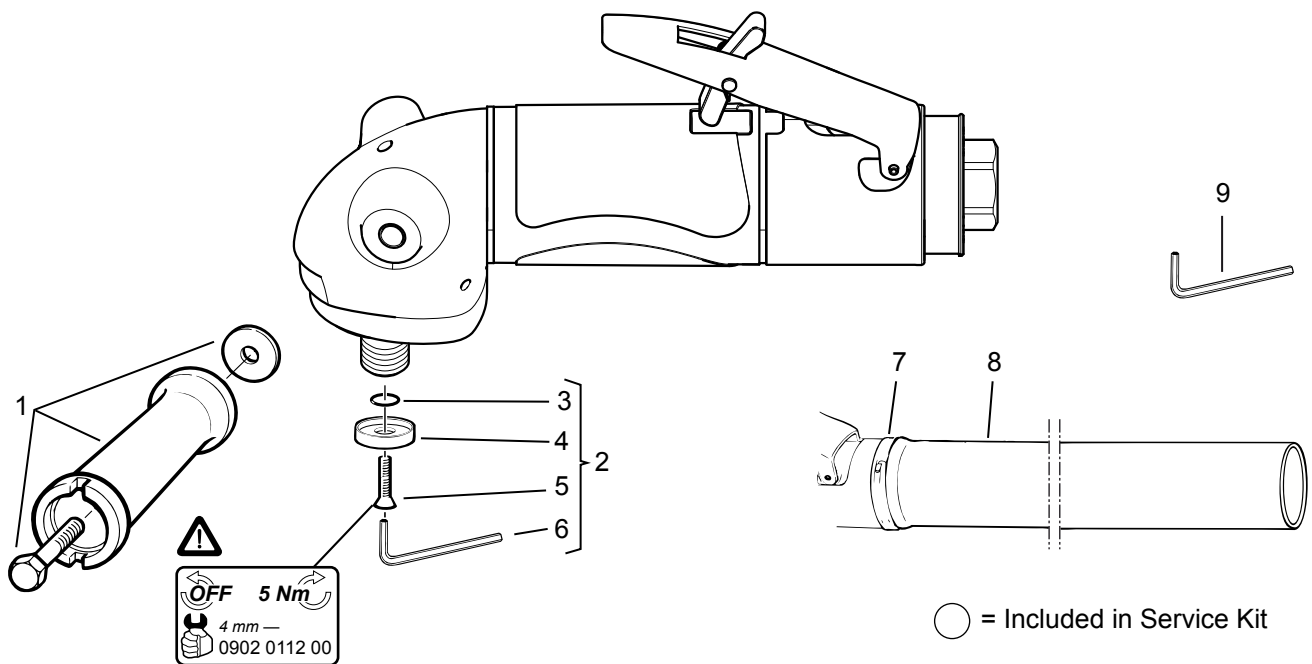
Service Tools

Service Tools

Section	Ordering No.	Description	Remark
Back head	4080 0753 00	Hook wrench	D. 35-60 mm
Motor casing with angle gear	4080 0263 00	Face spanner	Adjustable D. 3 mm

Accessories included

Support handle

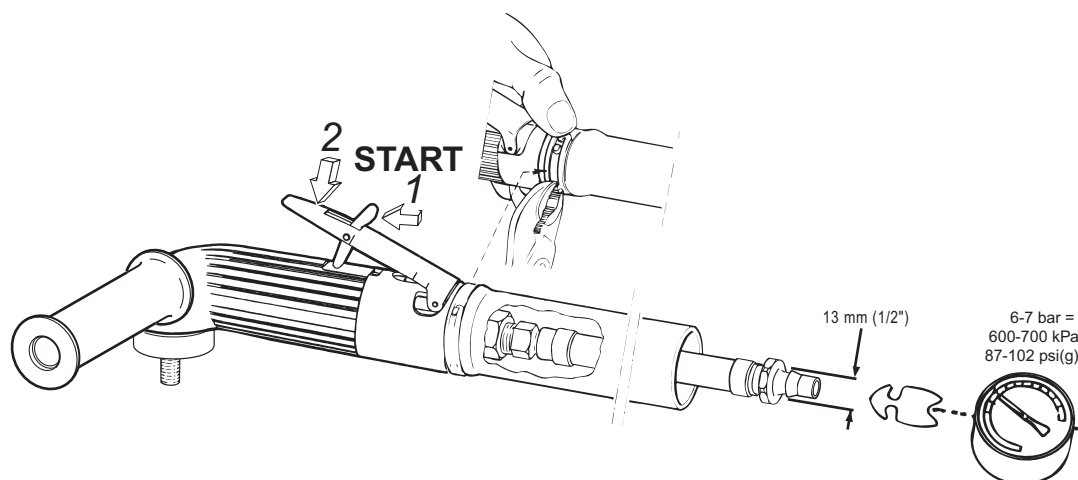


7001284

Ref. No.	Ordering No.	Qty	Description	Remark / Included in Service kit
1	4110 1355 85	1	Support handle, compl.	
2(3-6)	4170 1188 90	1	Locking kit	
3	-	1	O-ring	4.1x1.6
4	-	1	Lock washer	
5	-	1	Screw	M6x25
6	0902 0112 00	1	Hexagon wrench	4 mm
7	4150 2087 00	1	Exhaust hose band	
8	4150 1532 01	1	Exhaust hose	
9	0902 0114 00	1	Hexagon wrench	6 mm

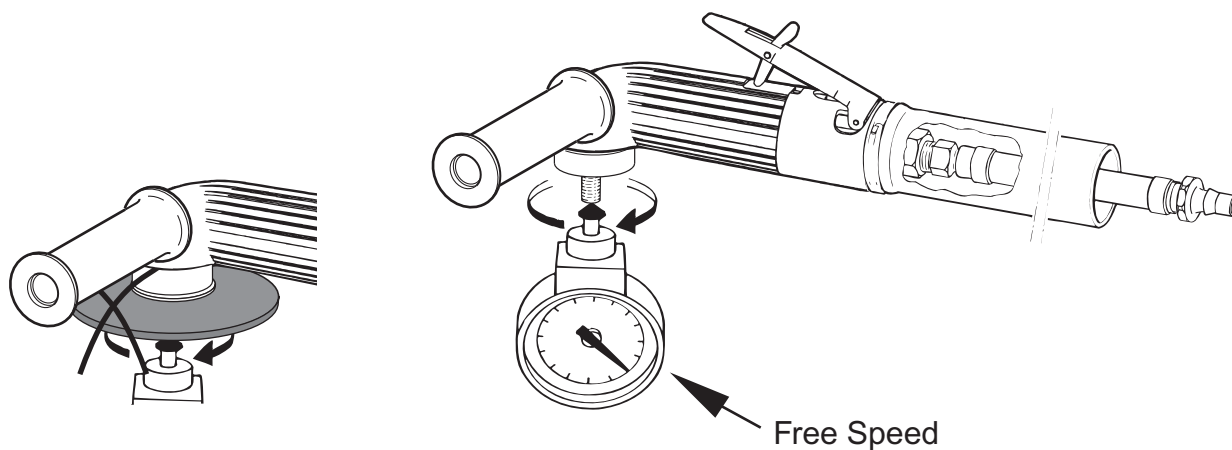
Installation and Handling

Installation



s010960

Free speed check



s010970

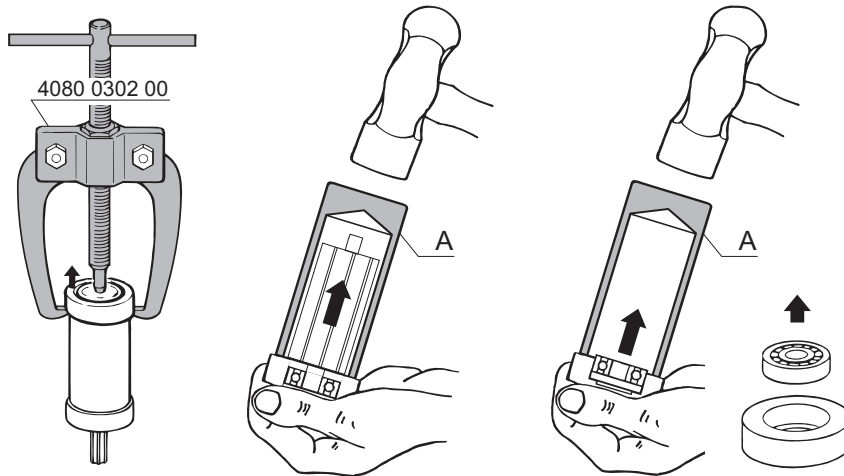
Model	Min r/min	Max r/min
G2510-S066-M14	5600	6600

Dismantling/inspection/assembly

Instructions for vane motor

Dismantling

Service tools are also included in our Basic Service Tools Set. For further information see, Ordering No. 9835 5485 00

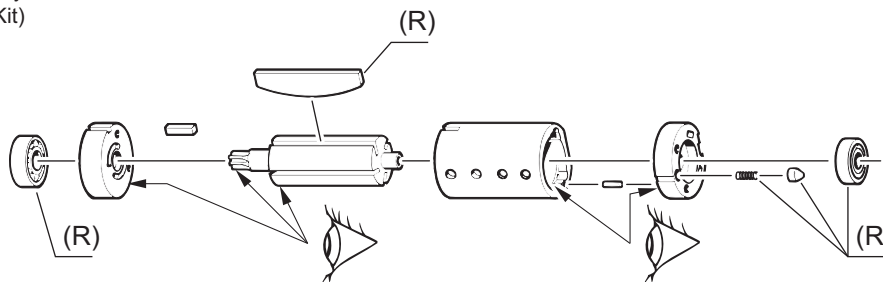


Dismantling tool Mandrel A

Ordering No.	∅ D	∅ C
4080 0182 01	7	3.5
4080 0182 02	8	4.5
4080 0182 03	9	5.5
4080 0182 04	10	6.5
4080 0182 05	13	8.5
4080 0182 06	16	10.5
4080 0182 07	19	12.5
4080 0182 08	22	15.5
4080 0182 09	24	17.5
4080 0182 10	26	20.5
4080 0182 11	30	25.5
4080 0182 12	35	30.5
4080 0182 13	40	35.5
4080 0182 14	47	40.5

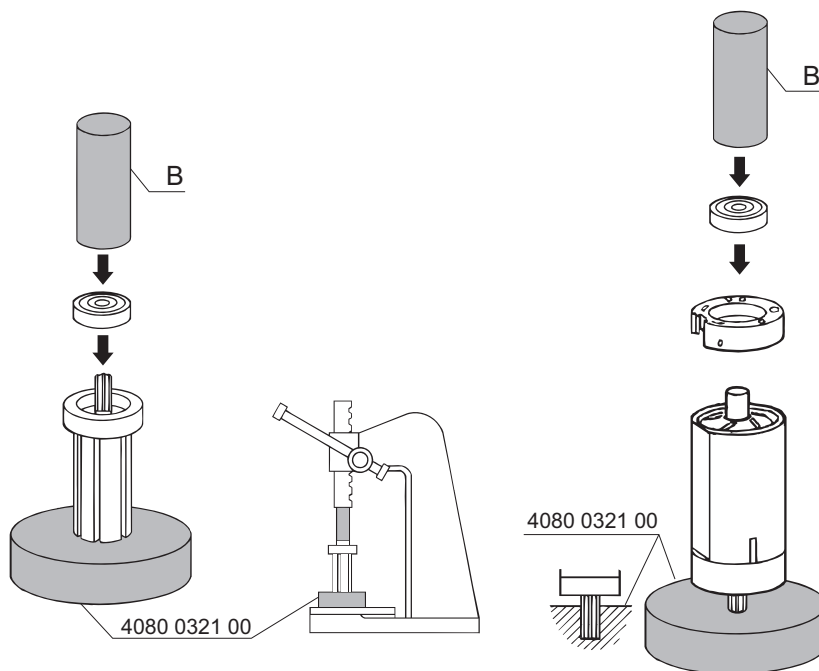
Inspection and lubrication

(R) = To be replaced at every overhaul (included in Service Kit)



Assembly

Service tools are also included in our Basic Service Tools Set. For further information see, Ordering No. 9835 5485 00



Assembly tool Mandrel B

Ordering No.	∅ D	∅ C
4080 0567 04	12.5	5.2
4080 0567 11	14.5	6.5
4080 0567 01	15.5	5.2
4080 0567 05	18.5	6.2
4080 0567 02	18.5	8.2
4080 0567 06	21.5	7.2
4080 0567 03	21.5	8.2
4080 0567 07	25.5	10.5
4080 0567 08	27.5	12.5
4080 0567 09	31.5	15.5
4080 0567 10	34.5	18.5

Ball bearing

s002530

Germany

Atlas Copco Tools Central Europe
GmbH
Postfach 10 02 44
D 45002 Essen
Tel 0201 - 217 70
Telefax 0201 - 217 71 00

Belgium

Atlas Copco Tools Belgium
Brusselsesteenweg 346
B-3090 Overijse
Tel 02 - 689 06 11
Telefax 02 - 689 06 80

Netherlands

Atlas Copco Tools Nederland
P O Box 200
NL-3330 AE
Zwijndrecht
Tel 078 - 623 02 30
Telefax 078 - 610 47 02

Switzerland

Atlas Copco Tools Schweiz
Postfach
CH 2557 Studen
Tel 032 - 374 16 00
Telefax 032 - 374 16 30

Austria

Atlas Copco Tools Österreich
Postfach 108
A-1111 Wien
Tel 01 - 76 01 23 10
Telefax 01 - 76 01 23 19

Norway

Atlas Copco Tools A/S
Postboks 335
N-1401 Ski
Tel 64 - 86 04 00
Telefax 64 - 86 04 75

Denmark

Atlas Copco Tools Danmark
Naverland 22
DK-2600 Glostrup
Tel 43 23 70 00
Telefax 43 23 70 07

Finland

Oy Atlas Copco Tools Ab
Tuupakankuja 1
FIN-01740 Vantaa
Tel 09 - 29 64 43
Telefax 09 - 296 43 33

France

Atlas Copco Applications Industrielles
S.A.S.
BP 77112 Saint Ouen l'Aumône
FR-95054 Cergy Pontoise Cedex
Tel 01 - 39 09 32 50
Telefax 01 - 39 09 30 80

Italy

Atlas Copco Italia S.p.A. ACTA
Casella Postale 77
I-20092 Cinisello Balsamo MI
Tel 02 - 61 79 91
Telefax 02 - 66 01 46 99

Great Britain

Atlas Copco Tools Ltd.
P O Box 79
Hemel Hempstead
Herts HP2 7HA
Tel 01442 - 26 12 02
Telefax 01442 - 24 05 96

Spain

Atlas Copco S.A.E. ACTA Division
Apartado 175
28823 Coslada (Madrid)
Tel 91 - 627 91 00
Telefax 91 - 627 91 23

Portugal

Soc. Atlas Copco de Portugal Lda
ACTA Division
Apartado 1029
2796-997 Linda-a-Velha
Tel 214 16 85 00
Telefax 214 17 09 40

USA

Atlas Copco Tools & Assembly
Systems LCC
2998 Dutton Road
Auburn Hills, MI 48326
Tel 248 - 373 30 00
Telefax 248-373 30 01

Canada

Atlas Copco Tools and Assembly
Systems
403 Matheson Blvd. East
Mississauga, ON
L4Z 2H2
Tel 905 - 501 99 68
Telefax 905 - 501 97 90

Czech Republic

Atlas Copco Industrial Technique s.r.o.
Prumyslova 10
102 00 Praha 10
Tel 02 - 25 43 41 10
Telefax 02 - 25 43 41 31

Mexico

Atlas Copco Mexicana SA de CV
Tools Division
P O Box 104
54000 Tlalnepantla
Edo. de Mexico
Tel 55 - 2282 0600
Telefax 55 - 5390 2403

Brazil

Atlas Copco Industrial Technique
Customer Center Brazil
Av. Santa Catarina 1352
CEP-04378 000 São Paulo SP
Tel 011 - 34 78 66 00
Telefax 011 - 55 63 56 06

Australia

Atlas Copco Tools Australia
PO Box 6133
Delivery Centre
Blacktown NSW 2148
Tel 02 - 96 21 99 00
Telefax 02 - 96 21 99 66

China

Atlas Copco (Shanghai) Trading
Co. Ltd., ACTA
Building A, No. 46 Caojian Road
Minhang District
201108 Shanghai
Tel 021 - 24 03 75 00
Telefax 021 - 24 03 76 00

Japan

Atlas Copco KK IT Division
Daiichi Fuji Bldg. 7F,
35-16 Daikancho,
Higashi-ku, Nagoya
Aichi 461-0002
Tel 052 - 932 11 40
Telefax 052 - 932 11 41

**Atlas Copco Tools and
Assembly Systems**

SE-10523 STOCKHOLM
Sweden

Telephone: +46 8 743 95 00
Telefax: +46 8 743 94 99
www.atlascopco.com

© Copyright 2009, Atlas Copco Tools. All rights reserved. Any unauthorized use or copying of the contents or part thereof is prohibited. This applies in particular to trademarks, model denominations, part numbers and drawings. Use only authorized parts. Any damage or malfunction caused by the use of unauthorized parts is not covered by Warranty or Product Liability.

In respect to wildlife and nature, our technical literature is printed on environmentally safe paper.